

General Electric Company

Schenectady, N.Y.

SUPPLY DEPARTMENT

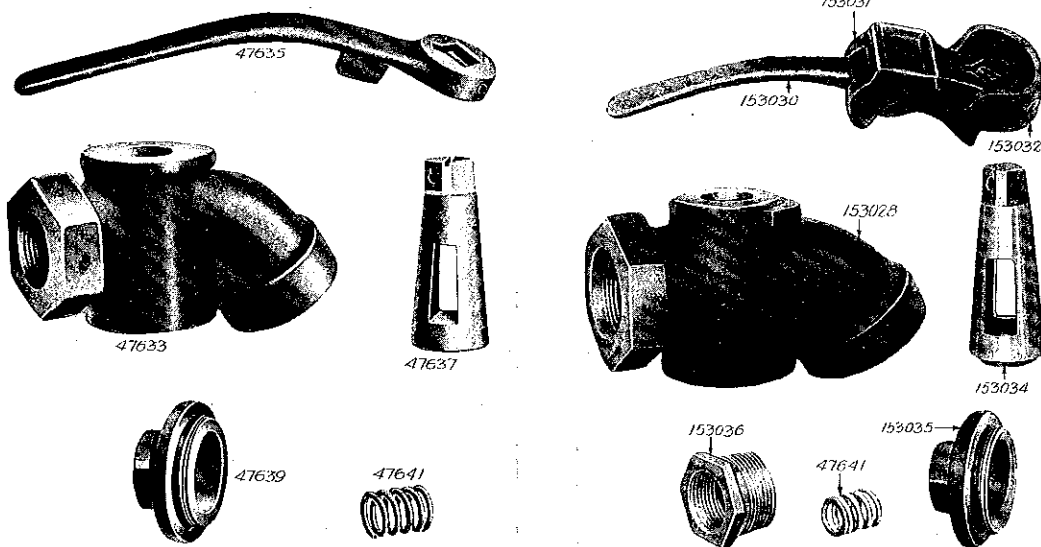
August, 1916

*Bulletin No. 54557

PARTS OF AIR BRAKE EQUIPMENT

ANGLE COCKS WITH HANDLES, SINGLE CUTOUT COCKS WITH HANDLES, DOUBLE CUTOUT COCK WITH HANDLE, THREE-WAY CUTOUT COCK WITH HANDLE, DRAIN COCKS, "Y" COCK, ANGLE FITTINGS, CHOKE FITTINGS, EXHAUST MUFFLERS, STRAINERS AND CONDUCTOR'S EMERGENCY VALVE

ANGLE COCKS



1 IN. ANGLE COCK

1 IN. BY 1 1/4 IN. ANGLE COCK WITH SELF LOCKING HANDLE

Cat. No.	Description
38568	3/4 in., 45 deg. angle cock
38569	1 in., 45 deg. angle cock
139676	1 in. by 1 1/4 in., 30 deg. angle cock with self locking handle
139677	1 1/4 in., 30 deg. angle cock

NOTE.—The accompanying illustration of the 1 in. angle cock is representative of the 3/4 in. and 1 1/4 in. cocks.

Following are the parts:

47632	Body for 3/4 in. angle cock (bushed)
47633	Body for 1 in. angle cock (bushed)
153028	Body for 1 in. by 1 1/4 in. and 1 1/4 in. angle cocks (bushed)
47634	Handle for 3/4 in. angle cock, with pin
47635	Handle for 1 in. angle cock, with pin

NOTE.—The prices and data in this publication are for the convenience of customers, and every effort is made to avoid error, but this Company does not guarantee their correctness, nor does it hold itself responsible for any errors or omissions in this publication. Subject to change without notice.

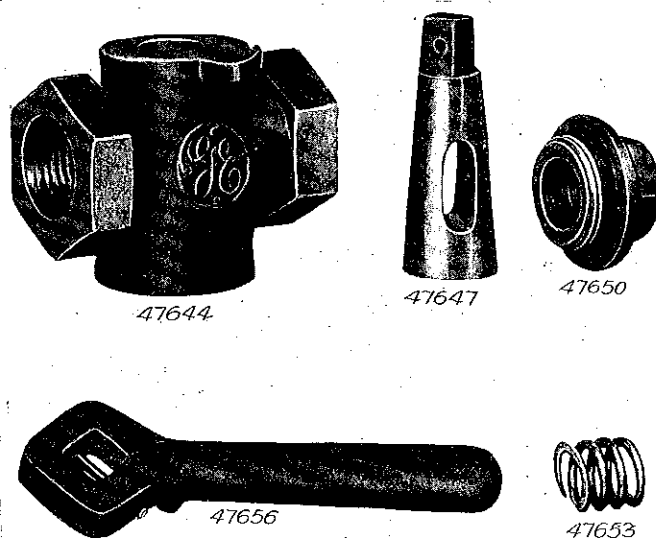
*Supersedes in part Bulletin No. 4589.

Second Edition.

54557-2 Parts of Air Brake Equipment

Cat. No.	Description
153029	Handle, complete, for 1 in. by 1 1/4 in. angle cock.
153030	Handle only.
153031	Bracket for handle.
153032	Latch for handle.
153033	Handle for 1 1/4 in. angle cock, with pin.
47636	Plug for 3/4 in. angle cock.
47637	Plug for 1 in. angle cock.
153034	Plug for 1 in. by 1 1/4 in. and 1 1/4 in. angle cocks.
47638	Cap for 3/4 in. angle cock.
47639	Cap for 1 in. angle cock.
153035	Cap for 1 in. by 1 1/4 in. and 1 1/4 in. angle cocks.
47640	Spring for 3/4 in. angle cock.
47641	Spring for 1 in., 1 in. by 1 1/4 in. and 1 1/4 in. angle cocks.
153036	1 1/4 in. by 1 in. reducer for 1 in. by 1 1/4 in. angle cock.

SINGLE CUTOUT COCK WITH HANDLES



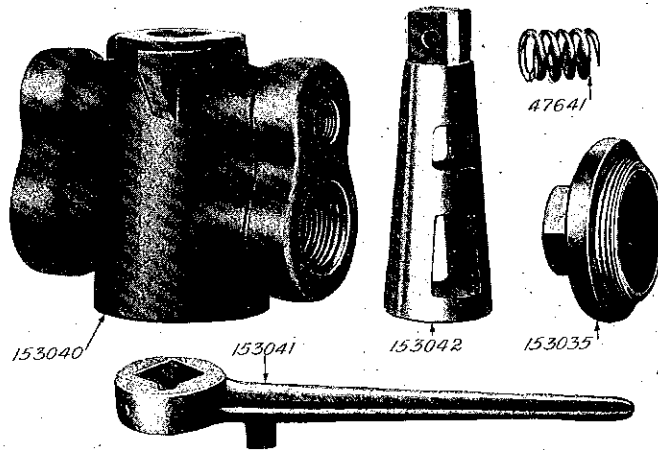
139678	3/8 in. cutout cock with long handle.
139679	3/8 in. cutout cock with short handle.
38565	1/2 in. cutout cock.
38566	3/4 in. cutout cock.
38567	1 in. cutout cock.

NOTE.—The accompanying illustration of the 1/2 in. cutout cock is representative of the 3/8 in., 3/4 in. and 1 in. cocks.

Following are the parts:

153037	Body for 3/8 in. cock.
47644	Body for 1/2 in. cock.
47645	Body for 3/4 in. cock.
47646	Body for 1 in. cock (bushed).
153038	Plug for 3/8 in. cock.
47647	Plug for 1/2 in. cock.
47648	Plug for 3/4 in. cock.
47649	Plug for 1 in. cock.
47650	Cap for 3/8 in. and 1/2 in. cocks.
47638	Cap for 3/4 in. cock.
47639	Cap for 1 in. cock.

Cat. No.	Description
47653	Spring for $\frac{3}{8}$ in. and $\frac{1}{2}$ in. cocks.....
47640	Spring for $\frac{3}{4}$ in. cock.....
47641	Spring for 1 in. cock.....
153039	Short handle with pin, for $\frac{3}{8}$ in. cock.....
47664	Long handle with pin, for $\frac{3}{8}$ in. cock.....
47656	Handle with pin, for $\frac{1}{2}$ in. cock.....
47657	Handle with pin, for $\frac{3}{4}$ in. cock.....
47658	Handle with pin, for 1 in. cock.....
DOUBLE CUTOUT COCK WITH HANDLE	
136165	$\frac{3}{8}$ in. by 1 in. double cutout cock.....

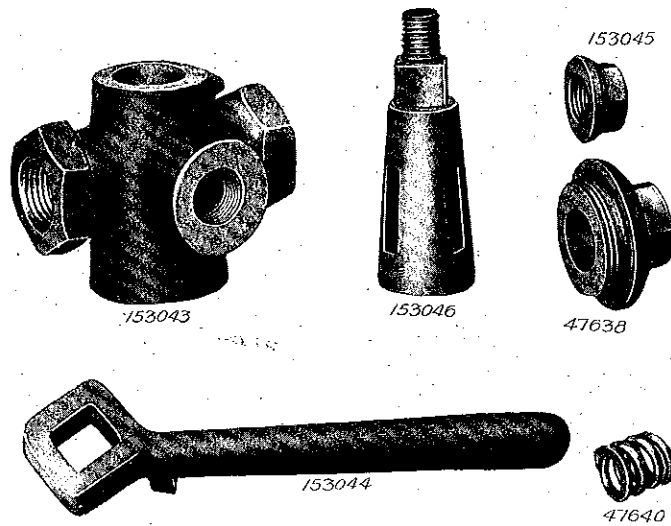


Following are the parts:

153040	Body (bushed).....
153041	Handle with pin.....
153042	Plug.....
153035	Cap.....
47641	Spring.....

THREE-WAY CUTOUT COCK WITH HANDLE

134938	$\frac{1}{2}$ in. by $\frac{3}{8}$ in. three-way cutout cock.....
--------	---

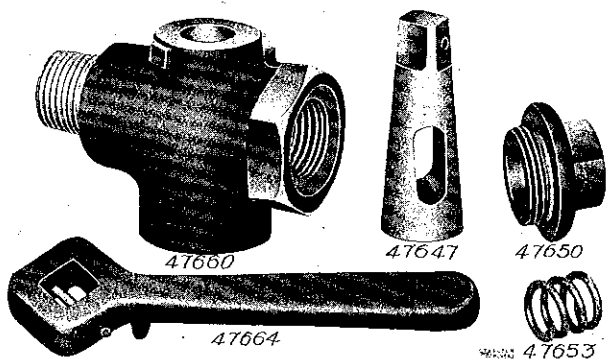


54557-4 Parts of Air Brake Equipment

Cat. No.	Description
153043	Body.....
153044	Handle.....
153045	Retaining nut for handle.....
153046	Plug.....
47638	Cap.....
47640	Spring.....

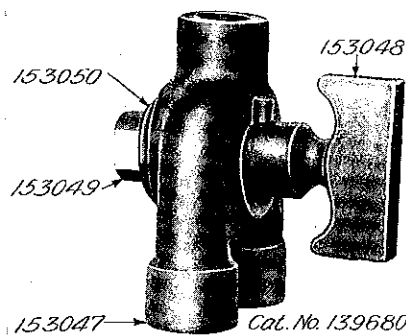
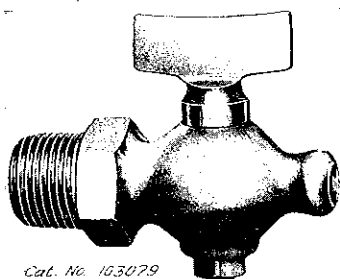
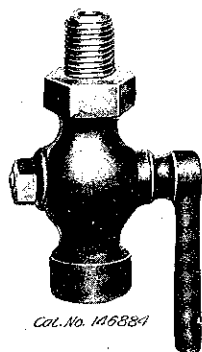
DRAIN COCKS

47659	1/2 in. drain cock.....
-------	-------------------------



Following are the parts:

47660	Body.....
47647	Plug.....
47650	Cap.....
47653	Spring.....
47664	Handle with pin.....



146884	1/4 in. drain cock.....
103079	1/2 in. drain cock, T handle, hexagonal type.....

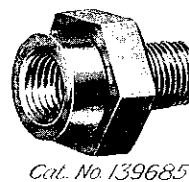
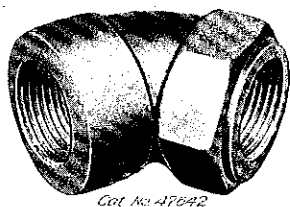
"Y" COCK

139680	1/4 in. "Y" cock.....
--------	-----------------------

Following are the parts:

153047	Body.....
153048	Plug.....
153049	Nut for plug.....
153050	Washer for plug.....

ANGLE FITTINGS



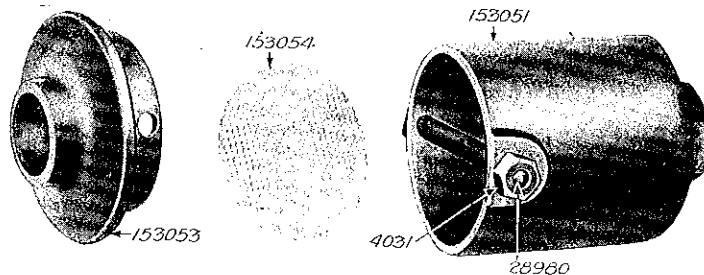
Cat. No.	Description
47642	1/2 in. fitting.....
47643	1 in. fitting.....

CHOKE FITTINGS

139685	1/4 in. fitting with 1/16 in. choke.....
139686	3/8 in. fitting.....
139687	1/2 in. fitting.....
139688	3/4 in. fitting with 5/16 in. choke.....
139689	1 in. fitting with 1/8 in. choke.....

EXHAUST MUFFLERS

47046	Exhaust muffler, tapped 1/2 in.....
47100	Exhaust muffler, tapped 3/4 in.....



NOTE.—The accompanying illustration of the 1/2 in. exhaust muffler is representative of the 3/4 in.

Following are the parts:

153051	Body, tapped 1/2 in.....
153052	Body, tapped 3/4 in.....
153053	Cap.....
153054	Perforated screen.....
28980	Bolt (3/8 in.-16, 4 1/4 in. sq. h.).....
4031	Nut (3/8 in.-16, hex. st'd).....

STRAINERS

47745	1/2 in. strainer.....
47746	3/4 in. strainer.....

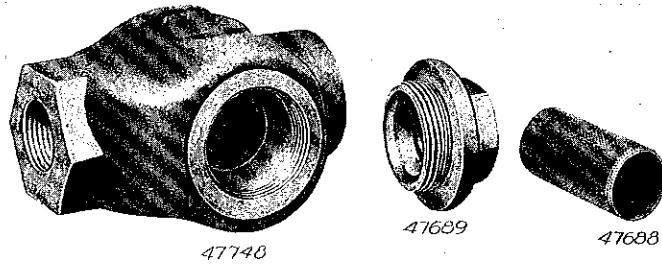
NOTE.—The accompanying illustration of the 3/4 in. strainer is representative of the 1/2 in.

Following are the parts:

47747	Body, 1/2 in. pipe tap.....
47748	Body, 3/4 in. pipe tap.....
47688	Strainer.....

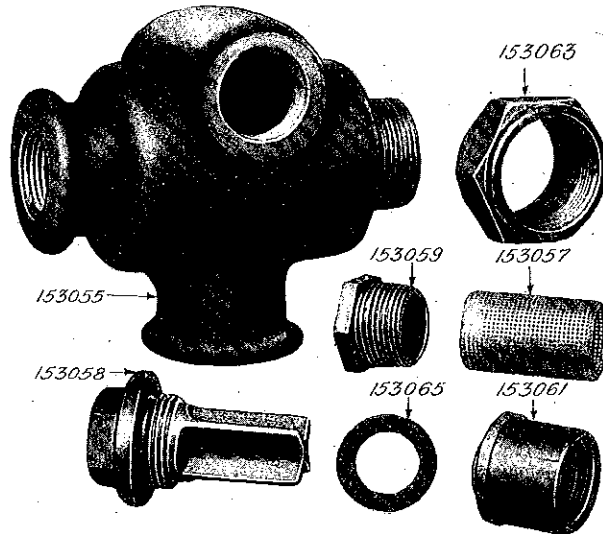
54557-6 Parts of Air Brake Equipment

Cat. No.	Description
47689	Drain plug.....



120454	3/4 in. brake pipe strainer with two 1 in. by 3/4 in. bushings.....
120455	1 in. by 1 in. by 3/4 in. brake pipe strainer.....
147053	1 in. by 1 in. by 1 in. brake pipe strainer.....
120456	1 1/4 in. by 1 1/4 in. by 3/4 in. brake pipe strainer.....

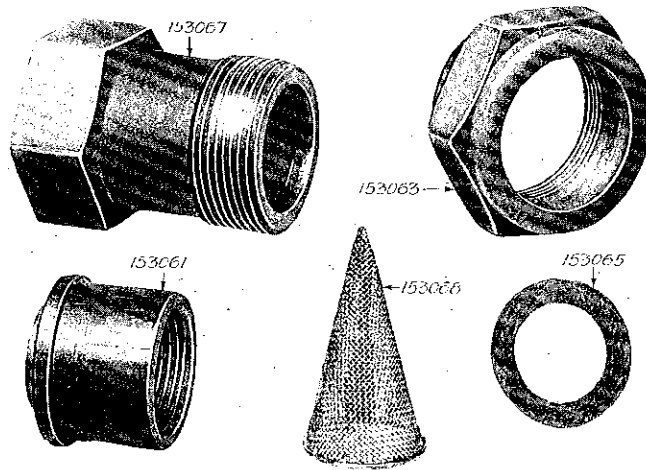
NOTE.—The accompanying illustration of the 1 in. by 1 in. by 3/4 in. brake pipe strainer, Cat. No. 120455 is representative of the parts of the brake pipe strainers Cat. Nos. 120454, 147053, 120456.



Following are the parts:

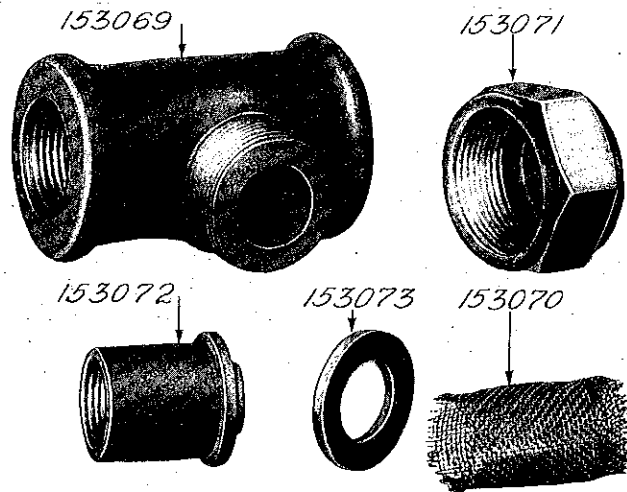
153055	Body for Nos. 120454, 120455, 147053.....
153056	Body for No. 120456.....
153057	Strainer.....
153058	Drain plug.....
153059	1 in. by 3/4 in. bushing for Nos. 120454, 120455.....
153060	1 1/4 in. by 3/4 in. bushing for No. 120456.....
153061	1 in. union swivel for Nos. 120454, 120455, 147053.....
153062	1 1/4 in. union swivel for No. 120456.....
153063	1 in. union nut for Nos. 120454, 120455, 147053.....
153064	1 1/4 in. union nut for No. 120456.....
153065	1 in. union gasket for Nos. 120454, 120455, 147053.....
153066	1 1/4 in. union gasket for No. 120456.....

Cat. No.	Description
147051	1 in. branch pipe strainer



Following are the parts:

153067	Body
153068	Strainer
153061	1 in. union swivel
153063	1 in. union nut
153065	1 in. union gasket
147052	3/4 in. by 3/4 in. by 3/8 in. control pipe strainer

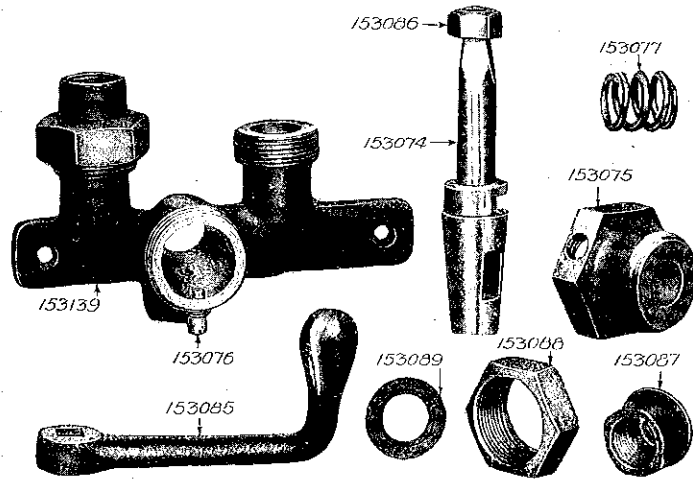


Following are the parts:

153069	Body
153070	Strainer
153071	1/2 in. union nut
153072	1/2 in. union swivel
153073	1/2 in. union gasket

54557-8 Parts of Air Brake Equipment

Cat. No.	Description
CONDUCTOR'S EMERGENCY VALVE	
133693	Conductor's emergency valve for applying the brake from the rear end of a single end car
	<i>Following are the parts:</i>
153139	Valve body
153074	Valve stem
153075	Cap nut for valve body



153076	Set screw (14-24, 5/8 in. long, fill. h. sp'l)
153077	Spring
153085	Handle
153086	Retaining nut for handle (1/16 in.-14, 7/16 in. thick, 1/8 in. across flats, hex. cham. one side)
153087	Union swivel
153088	Union nut
153089	Leather gasket for Nos. 153087, 153088 (1/4 in. by 1 1/4 in. by 1/8 in. thick)

INDEX TO CATALOGUE NUMBERS

CAT. NO.	PAGE	CAT. NO.	PAGE	CAT. NO.	PAGE	CAT. NO.	PAGE	CAT. NO.	PAGE	CAT. NO.	PAGE
4031-5		47643-5		47748-5		147052-7		153046-4		153065-6, 7	
28980-5		47644-2		103079-4		147053-6		153047-4		153066-6	
38565-2		47645-2		120454-6		153028-1		153048-4		153067-7	
38566-2		47646-2		120455-6		153029-2		153049-4		153068-7	
38567-2		47647-2, 4		120456-6		153030-2		153050-4		153069-7	
38568-1		47648-2		133693-8		153031-2		153051-5		153070-7	
38569-1		47649-2		134938-3		153032-2		153052-5		153071-7	
47046-5		47650-2, 4		136165-3		153033-2		153053-5		153072-7	
47100-5		47653-3, 4		139676-1		153034-2		153054-5		153073-7	
47632-1		47656-3		139677-1		153035-2, 3		153055-6		153074-8	
47633-1		47657-3		139678-2		153036-2		153056-6		153075-8	
47634-1		47658-3		139679-2		153037-2		153057-6		153076-8	
47635-1		47659-4		139680-4		153038-2		153058-6		153077-8	
47636-2		47660-4		139685-5		153039-3		153059-6		153085-8	
47637-2		47664-3, 4		139686-5		153040-3		153060-6		153086-8	
47638-2, 4		47688-5		139687-5		153041-3		153061-6, 7		153087-8	
47639-2		47689-6		139688-5		153042-3		153062-6		153088-8	
47640-2-4		47745-5		139689-5		153043-4		153063-6, 7		153089-8	
47641-2, 3		47746-5		146884-4		153044-4		153064-6		153139-8	
47642-5		47747-5		147051-7		153045-4					

General Electric Company
 Schenectady, N. Y., U. S. A.
 Sales Offices in All Principal Cities