

General Electric Company

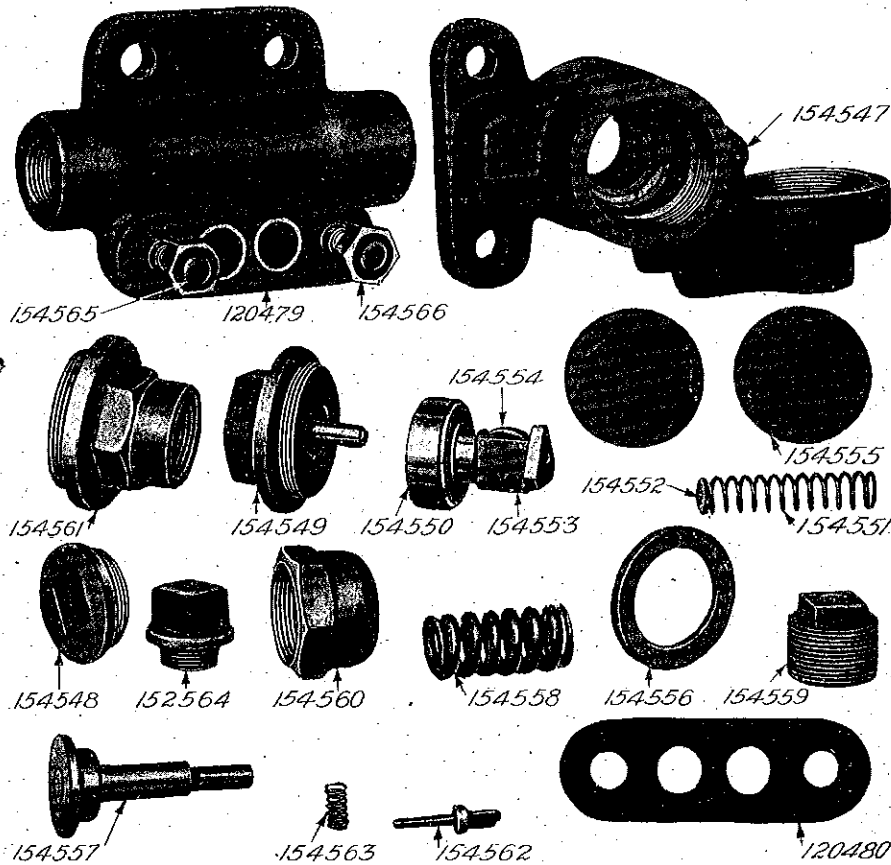
Schenectady, N.Y.

General Electric SUPPLY DEPARTMENT

August, 1916

*Bulletin No. 54558A

PARTS OF AIR BRAKE EQUIPMENT SLIDE VALVE FEED VALVES AND SAFETY VALVES SLIDE VALVE FEED VALVES



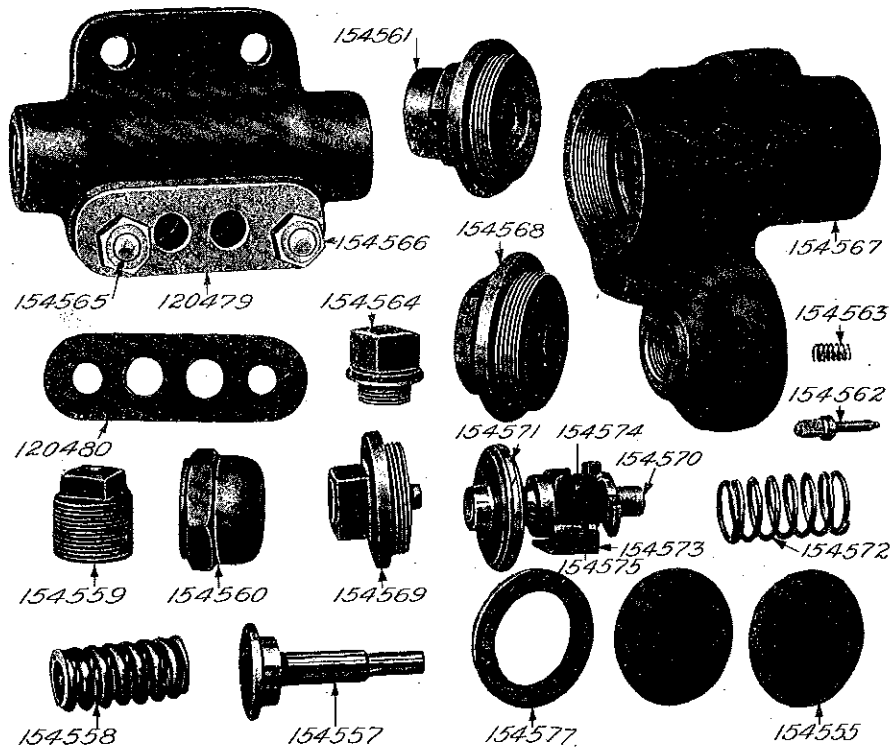
FORM C6 SLIDE VALVE FEED VALVE

Cat. No.	Description
120457	FORM C6 SLIDE FEED VALVE, complete, with bracket and gasket.....
<i>Following are the parts:</i>	
154547	VALVE BODY (bushed).....
154548	Socket cap nut for valve body.....
154549	Cap nut with guide for piston spring, for valve body.....

NOTE.—Data subject to change without notice.
* Supersedes Bulletin No. 54558.

54558A-2 Parts of Air Brake Equipment

Cat. No.	Description
154550	*Piston.....
154551	Spring for piston.....
154552	Seat for piston spring.....
154553	*Supply valve.....
154554	Spring for supply valve.....
154555	Diaphragm.....
154556	Retaining ring for diaphragm.....
154557	Diaphragm spindle.....

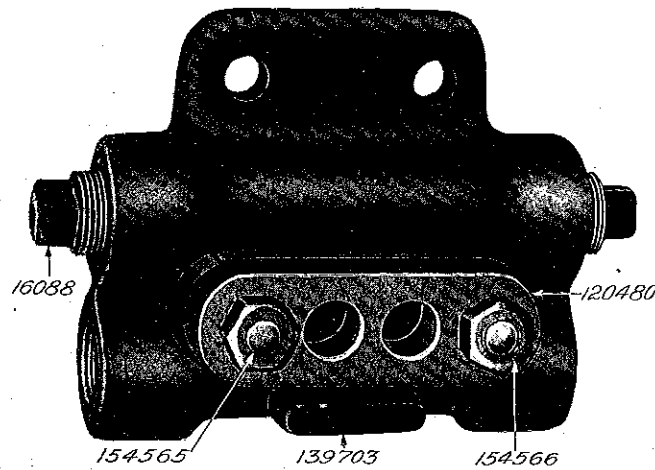


FORM J1 SLIDE VALVE FEED VALVE

154558	Regulating spring for diaphragm.....
154559	Regulating nut for diaphragm.....
154560	Cap nut for No. 154559.....
154561	Spring box for No. 154558.....
154562	Regulating valve.....
154563	Spring for regulating valve.....
154564	Cap nut for regulating valve.....
120479	Supporting bracket with straight passage.....
154565	Stud for No. 120479 (½ in.-12, 1⅜ in. long, sp'l).....
154566	Nut for stud (½ in.-12, ½ in. hex. rough, st'd).....
120480	Gasket between bracket and valve body.....
120458	FORM J1 SLIDE VALVE FEED VALVE, complete, with bracket and gasket.....
<i>Following are the parts:</i>	
154567	VALVE BODY (bushed).....
154568	Large cap nut for valve body.....
154569	Small cap nut for valve body.....

* Must be fitted

Cat. No.	Description
154570	*Piston with packing ring.....
154571	*Packing ring for piston.....
154572	Spring for piston.....
154573	*Slide valve with pin.....
154574	Pin for slide valve.....
154575	*Graduating valve.....



CAT. No. 139703

154576	Spring for graduating valve.....
154555	Diaphragm.....
154577	Retaining ring for diaphragm.....
154557	Diaphragm spindle.....
154558	Regulating spring for diaphragm.....
154559	Regulating nut for diaphragm.....
154560	Cap nut for No. 154559.....
154561	Spring box for No. 154558.....
154562	Regulating valve.....
154563	Spring for regulating valve.....
154564	Cap nut for regulating valve.....
120479	Supporting bracket with straight passage.....
154565	Stud for No. 120479 (1/2 in.-12, 1 1/8 in. long, sp'l).....
154566	Nut for stud (1/2 in.-12, 1/2 in. hex. rough, st'd).....
120480	Gasket between bracket and valve body.....
139703	SUPPORTING BRACKET WITH COMBINED STRAIGHT AND CROSSED PASSAGES, for Forms C6 and J1 slide valve feed valves.....

Following are the parts:

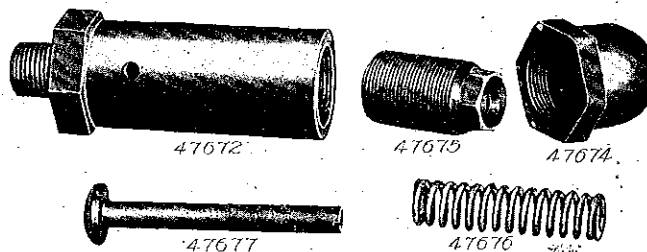
16088	Pipe plug (3/4 in. pipe).....
154565	Stud for No. 139703 (1/2 in.-12, 1 1/8 in. long, sp'l).....
154566	Nut for stud (1/2 in.-12, 1/2 in. hex. rough, st'd).....
120480	Gasket between bracket and valve body.....

* Must be fitted.

54558A-4 Parts of Air Brake Equipment

SAFETY VALVES

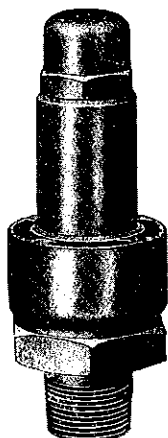
Cat. No. Description
 38564 1/2 IN. SAFETY VALVE for Traction Equipments



CAT. No. 38564

Following are the parts:

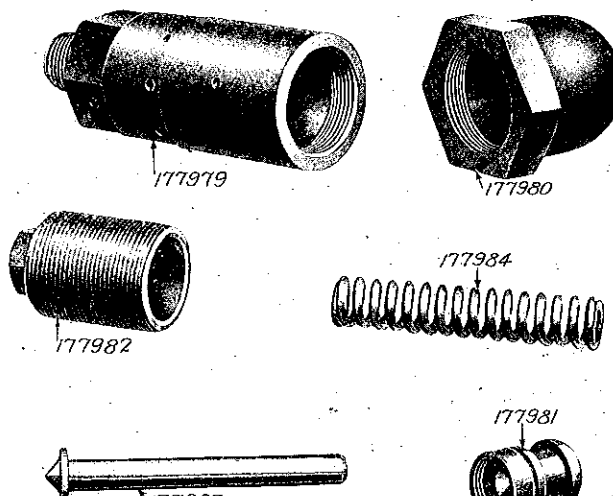
- 47672 BODY with valve seat
- 47673 Valve seat (must be fitted)
- 47674 Cap nut for valve body
- 47675 Regulating nut for valve
- 47676 Regulating spring for valve
- 47677 Valve
- 139720 1 IN. SAFETY VALVE
- 166294 LOCOMOTIVE TYPE 1/2 in. SAFETY VALVE



CAT. No. 139720

Following are the parts

- 177979 Valve body with bushing
- 177980 Cap nut for valve body
- 177981 Valve
- 177982 Regulating nut for valve
- 177983 Valve stem
- 177984 Compression spring for v



Gener

S

FORM 49.

THE MUNICIPAL TRAMWAYS TRUST, ADELAIDE.

Date Received Feb 1. 1920 No.

Section #9-5. Published

Contents

Refer Letter dated

Agent Charles Atkins & Co

Address Currie Street