

General Electric Company

Schenectady, N.Y.

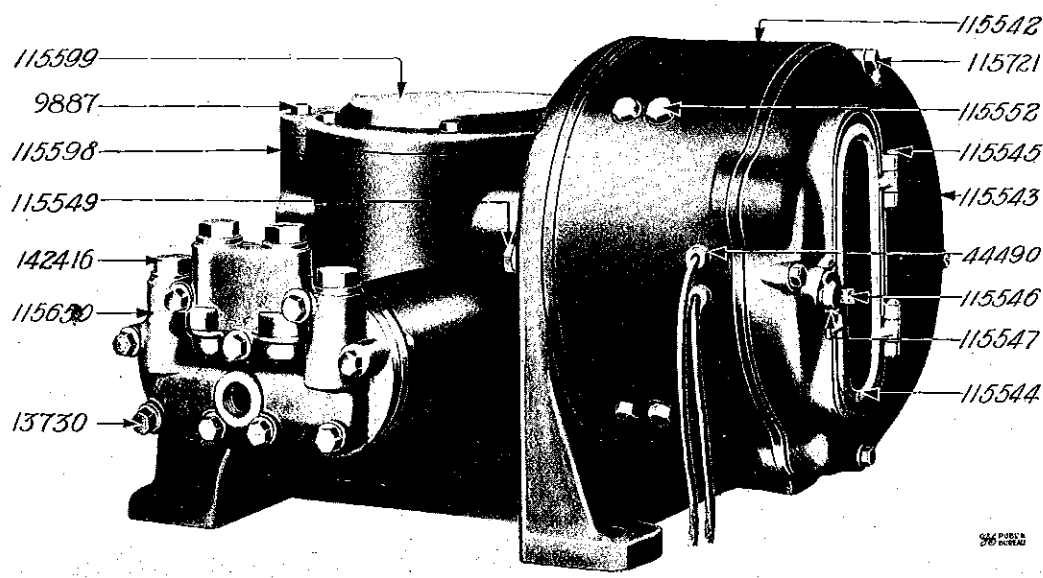
SUPPLY DEPARTMENT

September, 1916

*Bulletin No. 54595

PARTS OF TYPE CP-27 FORMS A AND B, 600-, 250- AND 125-VOLT AIR COMPRESSORS

TYPE CP-27 FORM A AIR COMPRESSOR



MOTOR

Field coil connection cables and motor leads are 25 No. 25 B.&S. wire, requiring approximately 14 feet. Motor leads require one each ferrules Cat. Nos. 159239, 159240. Connection cables require two ferrules Cat. No. 159240.

Cat. No.	Description
115542	MOTOR FRAME.....
115543	Frame head, complete, with lid and lock.....
115544	Lid for frame head.....
115545	Hinge pin for lid ($\frac{1}{4}$ in. by 2 in. oval h.).....
115546	Lock for lid.....
115547	Stop screw for lock ($\frac{1}{4}$ in.-20, 1 in. headless, sp ¹).....
115721	Cap screw fastening frame head in position ($\frac{3}{8}$ in.-16, $2\frac{1}{4}$ in. hex. h.).....
115548	Long bolt fastening motor frame to compressor frame ($\frac{5}{8}$ in.-11, $8\frac{5}{8}$ in. hex. h.).....
115549	Short bolt fastening motor frame to compressor frame ($\frac{5}{8}$ in.-11, $2\frac{1}{8}$ in. hex. h.).....

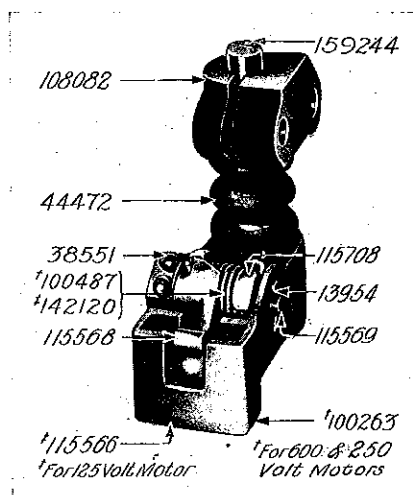
NOTE.—The data in this publication are for the convenience of customers, and every effort is made to avoid error, but this Company does not guarantee their correctness, nor does it hold itself responsible for any errors or omissions in this publication. Subject to change without notice.

* Supersedes in part Bulletin No. 4854
Second Edition.

GENERAL ELECTRIC COMPANY

54595-2 Parts of Type CP-27 Forms A and B, 600-, 250- and 125-Volt Air Compressors

Cat. No.	Description
115550	LAMINATED POLE PIECE.....
115552	Bolt fastening pole piece to frame casting ($\frac{1}{2}$ in.-13, $2\frac{1}{8}$ in. hex. h.).....
100219	FIELD COIL, top crank side or bottom cylinder side, complete, for 600-volt motor.....
100220	Field coil, top cylinder side or bottom crank side, complete, for 600-volt motor.....
115554	Field coil, top crank side or bottom cylinder side, complete, for 250-volt motor.....
115556	Field coil, top cylinder side or bottom crank side, complete, for 250-volt motor.....
115557	Field coil, top crank side or bottom cylinder side, complete, for 125-volt motor.....
115559	Field coil, top cylinder side or bottom crank side, complete, for 125-volt motor.....
115731	Terminal with connection strip and screws, for field coil.....
13369	Screw for terminal (8-32, $\frac{1}{8}$ in. r. h.).....
115551	Flange for field coil.....
159239	Ferrule for motor leads (2 in. long).....
159240	Ferrule for field coil connection cables and motor leads ($1\frac{3}{8}$ in. long).....
44490	Soft rubber bushing for use with cables.....

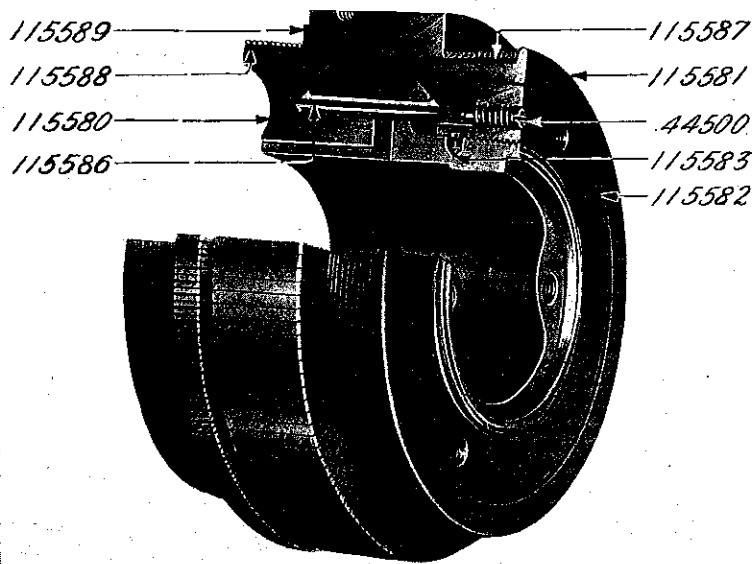


100221	BRUSH-HOLDER SUPPORT, complete, with brush-holder, for 600- and 250-volt motors.....
115565	Brush-holder support, complete, with brush-holder, for 125-volt motor.....
108082	Brush-holder support.....
159244	Key for brush-holder support ($\frac{1}{8}$ in. by $\frac{1}{16}$ in. by $1\frac{1}{4}$ in.).....
100263	Brush-holder, complete, with pressure lever and insulated stud, for 600- and 250-volt motors..
115566	Brush-holder, complete, with pressure lever and insulated stud, for 125-volt motor.....
44472	Hard rubber insulator for stud.....
115568	Pressure lever.....
100487	Tension spring for No. 100263.....
142120	Tension spring for No. 115566.....
115708	Spring cup for tension spring, with hub.....
115569	Hinge pin for pressure lever ($\frac{1}{4}$ in. by $1\frac{1}{2}$ in. oval h.).....
13954	Spring cotter for No. 115569 ($\frac{1}{16}$ in. by $\frac{1}{2}$ in.).....
38551	Terminal binding screw for brush-holder body (8-32, $\frac{1}{8}$ in. r. h. blued).....
9629	Cap screw fastening brush-holder support to motor frame ($\frac{3}{8}$ in.-16, $1\frac{3}{4}$ in. hex. h.).....
100222	CARBON BRUSH for 600- and 250-volt motors ($1\frac{1}{2}$ in. long, 1 in. wide, $\frac{3}{8}$ in. thick) one required for each holder, two for each motor.....
115570	Carbon brush for 125-volt motor ($1\frac{1}{2}$ in. long, $1\frac{1}{4}$ in. wide, $\frac{1}{2}$ in. thick) one required for each holder, two for each motor.....

GENERAL ELECTRIC COMPANY

Parts of Type CP-27 Forms A and B, 600-, 250- and 125-Volt Air Compressors 54595-3

Cat. No.	Description
100223	ARMATURE, 11 turns, complete, with pinion, for 600-volt motor (0.035 in. bare, 0.043 in. D.C.C. wire).....
7-2 115571	Armature, 11 turns, complete, without pinion, for 600-volt motor (0.035 in. bare, 0.043 in. D. C. C. wire).....
115572	Armature, 6 turns, complete, with pinion, for 250-volt motor (0.057 in. bare, 0.067 in. D. C. C. wire).....
115573	Armature, 6 turns, complete, without pinion, for 250-volt motor (0.057 in. bare, 0.067 in. D. C. C. wire).....
115574	Armature, 3 turns, complete, with pinion, for 125-volt motor (two 0.057 in. bare, 0.067 in. D. C. C. wires).....
115575	Armature, 3 turns, complete, without pinion, for 125-volt motor (two 0.057 in. bare, 0.067 in. D. C. C. wires).....
100224	* Armature coil, 11 turns, for 600-volt motor (0.035 in. bare, 0.043 in. D. C. C. wire) per set of 45
115576	† Armature coil, 6 turns, for 250-volt motor (0.057 in. bare, 0.067 in. D. C. C. wire) per set of 33
115577	† Armature coil, 3 turns, for 125-volt motor (two 0.057 in. bare, 0.067 in. D. C. C. wires) per set of 33.....



100225	COMMUTATOR, complete, for 11 turn armature, for 600-volt motor.....
115578	Commutator, complete, for 6 turn armature, for 250-volt motor.....
115579	Commutator, complete, for 3 turn armature, for 125-volt motor.....
115580	Shell.....
115581	Cap.....
115582	Nut.....
44500	Set screw for nut ($\frac{1}{4}$ in.-20, $\frac{3}{8}$ in. headless, sp'l).....
115583	Pin for shell and cap.....
100226	Set of copper and mica segments, finished and bound (135 segments), for 600-volt motor.....
115584	Set of copper and mica segments, finished and bound (99 segments), for 250-volt motor.....
115585	Set of copper and mica segments, finished and bound (99 segments), for 125-volt motor.....
115586	Mica collar under segments.....
115587	Combination inner and outer mica cone ($1\frac{3}{8}$ in. wide).....
115588	Combination inner and outer mica cone ($1\frac{1}{8}$ in. wide).....
115589	Mica ring back of commutator segments ($5\frac{1}{2}$ in. by $6\frac{1}{8}$ in. by $\frac{1}{8}$ in. thick).....

* 45 coils in complete set for one armature. Cat. No. is for one coil.
 † 33 coils in complete set for one armature. Cat. No. is for one coil.

GENERAL ELECTRIC COMPANY

54595-4 Parts of Type CP-27 Forms A and B, 600-, 250- and 125-Volt Air Compressors

Cat. No.	Description
159268	Key for commutator and armature spider ($\frac{1}{4}$ in. by $\frac{1}{4}$ in. by $1\frac{7}{8}$ in. round ends)
142123	Key for armature spider and punching ($\frac{3}{4}$ in. by $\frac{1}{4}$ in. by $3\frac{1}{8}$ in. square ends)
115590	Shaft, bare
115591	Key for shaft and armature spider ($\frac{3}{8}$ in. by $\frac{3}{8}$ in. by $2\frac{1}{4}$ in. square ends)
100227	PINION (15 herring-bone teeth, 7,071 pitch, $1\frac{1}{8}$ in. taper bore, $2\frac{1}{4}$ in. face)
115592	Pinion key ($\frac{1}{4}$ in. by $\frac{1}{4}$ in. by $1\frac{3}{8}$ in. round ends)
16326	Pinion nut ($\frac{3}{4}$ in.-10, hex. st'd)
46896	Lock washer for pinion nut ($\frac{3}{8}$ in. by $1\frac{1}{2}$ in. by 0.0625 in. sp'l)
115709	Thrust collar for pinion
115594	Complete set of armature core insulations
115595	Complete set of armature winding insulations
115596	Complete set of armature connecting insulations
115597	Complete set of armature binding insulations
17498	Binding clip ($1\frac{5}{16}$ in. by $\frac{3}{8}$ in. by 0.010 in. tin)
	Acme tape used in connecting and binding armature ($\frac{3}{4}$ in. wide), cord for dressing No. 7, binding wire is 0.025 in. tinned steel, requiring approximately 170 feet.

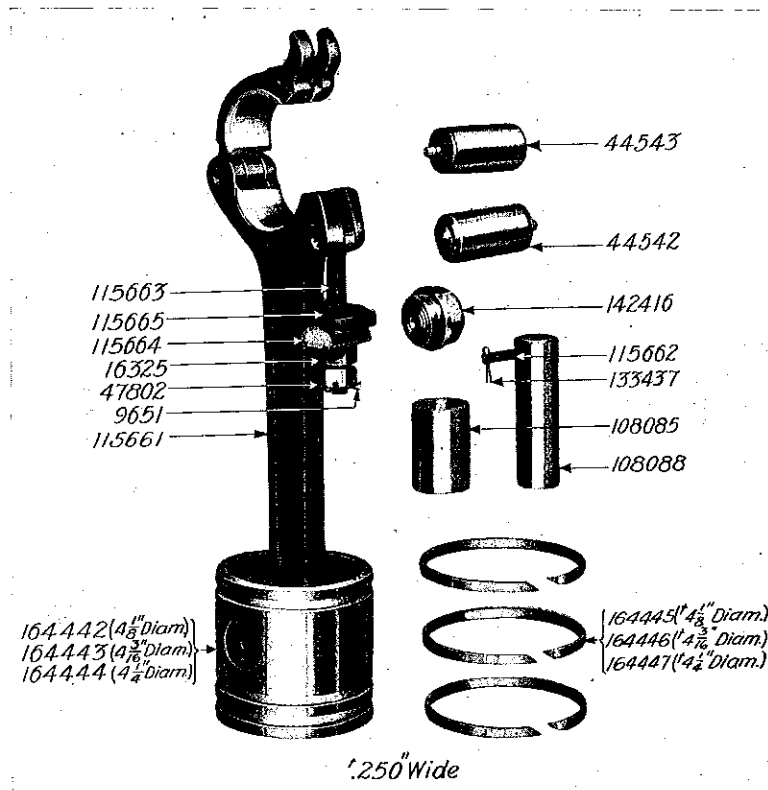
COMPRESSOR

115598	COMPRESSOR FRAME, complete, with lid, pipe plugs, vent pipe, elbow and plug, armature and crank shaft bearing linings, set screws, bearing caps and clamping bolts
115599	Lid for compressor frame, with oil distributor
115600	Leatheroid gasket for lid
9887	Cap screw fastening lid to frame ($\frac{1}{2}$ in.-13, $1\frac{1}{2}$ in. hex. h.)
16089	Pipe plug for compressor frame ($\frac{1}{2}$ in. pipe)
13524	Pipe plug for compressor frame (1 in. pipe)
142127	Stop plug for removing pinion ($1\frac{1}{2}$ in. pipe)
159284	Vent pipe
115644	Service elbow for oil filler (1 in. pipe)
115645	Plug with wrench attached, for service elbow (1 in.-12, thread)
115646	Leatheroid washer for No. 115645 ($\frac{3}{4}$ in. by $1\frac{1}{16}$ in. by $\frac{1}{2}$ in. thick)
100218	ARMATURE BEARING LINING ($1\frac{5}{8}$ in. bore), brass and babbitt
115648	Set screw for armature bearing lining ($\frac{1}{2}$ in.-13, $\frac{1}{8}$ in. headless, sp'l, drilled for spring cotter)
17392	Spring cotter for No. 115648 ($\frac{1}{16}$ in. by 1 in.)
108084	BEARING LINING FOR CRANK SHAFT (2 in. bore), brass and babbitt
142144	Crank shaft bearing cap, right-hand facing cylinder, with hinge and dowel pins, partly finished, must be fitted to place
142148	Crank shaft bearing cap, left-hand facing cylinder, with hinge and dowel pins, partly finished, must be fitted to place
142153	Clamping bolt for No. 142144, with hinge pin ($\frac{1}{2}$ in.-13, $3\frac{1}{4}$ in. sp'l, drilled for spring cotter)
142312	Clamping bolt for No. 142148, with hinge pin ($\frac{1}{2}$ in.-13, $3\frac{1}{4}$ in. sp'l, drilled for spring cotter)
115664	Alignment washer for clamping bolt ($\frac{3}{2}$ in. hole, sp'l)
16325	Nut for clamping bolt ($\frac{1}{2}$ in.-13, hex. st'd)
142339	Crown nut for clamping bolt ($\frac{1}{2}$ in.-13, $\frac{1}{8}$ in. thick, $\frac{1}{8}$ in. across flats, hex. sp'l)
9651	Spring cotter for clamping bolt ($\frac{3}{2}$ in. by $1\frac{1}{4}$ in.)
115649	CYLINDER HEAD, complete, with valves
115650	Cylinder head, bare
44542	Inlet valve (pin hole through bottom)
44543	Outlet valve (pin hole through side)
142416	Valve plug for cylinder head
158200	Valve seat reamer for inlet and outlet valves
115651	Gasket for cylinder head
13730	Cap screw fastening cylinder head to frame ($\frac{1}{2}$ in.-13, $3\frac{1}{4}$ in. hex. h.)
164439	PISTON (* $4\frac{1}{8}$ in. diam.), complete, with three one-piece piston rings and all attached parts. Supersedes Cat. No. 115657
164440	Piston (* $4\frac{3}{16}$ in. diam.), complete, with three one-piece piston rings and all attached parts

* These are cylinder bore diameters. A suitable working allowance being made on the piston diameter.

Parts of Type CP-27 Forms A and B, 600-, 250- and 125-Volt Air Compressors 54595-5

Cat. No.	Description
164441	Piston (*4 1/4 in. diam.), complete, with three one-piece piston rings.....
164442	Piston body (*4 1/8 in. diam.) for three one-piece piston rings.....
164443	Piston body (*4 3/8 in. diam.) for three one-piece piston rings.....
164444	Piston body (*4 1/4 in. diam.) for three one-piece piston rings.....
115658	† Piston body with dowel pin, for one six-part piston ring.....
164445	Piston ring, one piece (*4 1/8 in. diam., 0.250 in. wide).....
164446	Piston ring, one piece (*4 3/8 in. diam., 0.250 in. wide).....
164447	Piston ring, one piece (*4 1/4 in. diam., 0.250 in. wide).....



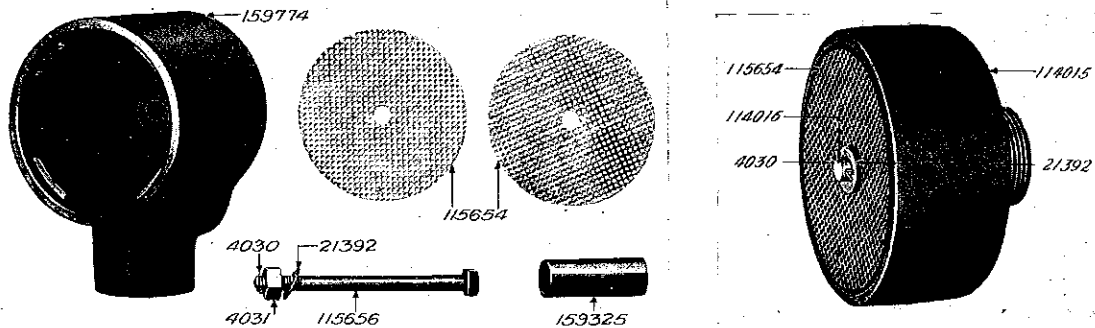
115359	† Piston ring, six parts, with compression springs, for No. 115658.....
115660	† Compression spring for No. 115659.....
NOTE.—One piece piston rings of the following widths can be supplied when required:	
164448	Piston ring, one piece (*4 1/8 in. diam., 0.252 in. wide).....
164449	Piston ring, one piece (*4 1/8 in. diam., 0.254 in. wide).....
164450	Piston ring, one piece (*4 1/8 in. diam., 0.256 in. wide).....
164451	Piston ring, one piece (*4 3/8 in. diam., 0.252 in. wide).....
164452	Piston ring, one piece (*4 3/8 in. diam., 0.254 in. wide).....
164453	Piston ring, one piece (*4 3/8 in. diam., 0.256 in. wide).....
164454	Piston ring, one piece (*4 1/4 in. diam., 0.252 in. wide).....
164455	Piston ring, one piece (*4 1/4 in. diam., 0.254 in. wide).....
164456	Piston ring, one piece (*4 1/4 in. diam., 0.256 in. wide).....
115661	Piston connecting rod, complete, with bearings.....

* These are cylinder bore diameters. A suitable working allowance being made on the piston diameter.
 † The Type CP-27 air compressor as originally manufactured was fitted with pistons having one six-part piston ring each. This compressor is now fitted with pistons having three one-piece piston rings each and these pistons will be furnished on all orders in place of Cat. No. 115657 unless otherwise specified. For the convenience of customers having compressors with the one ring pistons, the one ring piston body, the six-part piston ring and compression spring for same are also listed.

GENERAL ELECTRIC COMPANY

54595-6 Parts of Type CP-27 Forms A and B, 600-, 250- and 125-Volt Air Compressors

Cat. No.	Description
108085	BEARING LINING for connecting rod and wrist pin (1¼ in. bore), brass.....
115663	Clamping bolt for connecting rod bearing cap, with hinge pin (½ in.-13, 3⅛ in. sp'l, drilled for spring cotter).....
115664	Alignment washer for No. 115663 (⅜ in. hole, sp'l).....
115665	Shim washer for No. 115663 (⅞ in. hole, 0.007 in. thick, sp'l).....
16325	Nut for No. 115663 (½ in.-13, hex. st'd).....
47802	Crown nut for No. 115663 (½ in.-13, ½ in. thick, hex. sp'l).....
9651	Spring cotter for No. 115663 (⅜ in. by 1¼ in.).....
108088	Wrist pin for connecting rod and piston.....
115662	Set screw for wrist pin (⅞ in.-18, 1⅜ in. headless, sp'l, drilled for spring cotter).....
133437	Spring cotter for No. 115662 (⅝ in. by ⅝ in.).....
115666	Crank shaft.....
100228	GEAR (82 herring-bone teeth, 7.071 pitch, 8 in. bore, 2¼ in. face).....
115667	Key for gear and crank shaft (⅞ in. by ⅞ in. by 1 in. square ends).....
121991	Bolt fastening gear to crank shaft (½ in.-13, 1¾ in. hex. h. sp'l).....
16325	Nut for No. 121991 (½ in.-13, st'd).....
159324	Washer for No. 121991 (⅜ in. by 1⅝ in. by ⅛ in. thick).....
154764	INTAKE STRAINER, complete, for 1 in. pipe.....
114014 *	Intake strainer, complete, for 1 in. pipe.....



159774	Box for No. 154764.....
114015	Box for No. 114014.....
115654	Brass screen.....
159325	Spacing pipe for screens, for No. 154764 (⅜ in. pipe, 2⅝ in. long).....
115656	Bolt for No. 154764 (⅜ in.-16, 4¾ in. sq. h. sp'l, drilled for spring cotter).....
114016	Pin holding screens in position, for No. 114014 (⅜ in. by 1⅝ in. f. h. slot., drilled for spring cotter).....
4031	Nut for No. 115656 (⅜ in.-16, hex. st'd).....
21392	Washer for Nos. 115656, 114016 (⅜ in. by ¼ in. by 0.0625 in.).....
4030	Spring cotter for Nos. 115656, 114016 (⅜ in. by ⅝ in.).....
139698	SUSPENSION, complete, for compressor.....

TYPE CP-27 FORM B AIR COMPRESSOR

Following are the parts of Type CP-27 Form B air compressor which differ from those of the Type CP-27 Form A:

COMPRESSOR

160185	COMPRESSOR FRAME, complete, with lid, pipe plugs, vent pipe, elbow and plug, armature and crank shaft bearing linings, set screws, bearing caps and clamping bolts.....
160186	CYLINDER HEAD, complete, with valves.....

* For use with CP-27-A portable air compressor set only.

GENERAL ELECTRIC COMPANY

PRINCIPAL OFFICES, SCHENECTADY, N. Y.

SALES OFFICES (Address nearest Office)

Atlanta, Ga.	Third National Bank Building
Baltimore, Md.	Munsey Building
Birmingham, Ala.	Brown-Marx Building
Boston, Mass.	84 State Street
Buffalo, N. Y.	Electric Building
Butte, Mont.	Electric Building
Charleston, W. Va.	Charleston National Bank Building
Charlotte, N. C.	Commercial National Bank Building
Chattanooga, Tenn.	James Building
Chicago, Ill.	Monadnock Building
Cincinnati, Ohio	Provident Bank Building
Cleveland, Ohio	Illuminating Building
Columbus, Ohio	Columbus Saving & Trust Building
Dayton, Ohio	Schwind Building
Denver, Colo.	First National Bank Building
Des Moines, Iowa	Hippee Building
Duluth, Minn.	Fidelity Building
Elmira, N. Y.	Hulett Building
Erie, Pa.	Marine National Bank Building
Fort Wayne, Ind.	1600 Broadway
Hartford, Conn.	Hartford National Bank Building
Indianapolis, Ind.	Traction Terminal Building
Jacksonville, Fla.	Heard National Bank Building
Joplin, Mo.	Miners' Bank Building
Kansas City, Mo.	Dwight Building
Knoxville, Tenn.	Bank & Trust Building
Los Angeles, Cal.	Corporation Building, 724 S. Spring Street
Louisville, Ky.	Starks Building
Memphis, Tenn.	Randolph Building
Milwaukee, Wis.	Public Service Building
Minneapolis, Minn.	410 Third Ave., North
Nashville, Tenn.	Stahlman Building
New Haven, Conn.	Second National Bank Building
New Orleans, La.	Maison-Blanche Building
New York, N. Y.	30 Church Street
Niagara Falls, N. Y.	Gluck Building
Omaha, Neb.	Union Pacific Building
Philadelphia, Pa.	Witherspoon Building
Pittsburg, Pa.	Oliver Building
Portland, Ore.	Electric Building
Providence, R. I.	Turks Head Building
Richmond, Va.	Virginia Railway & Power Building
Rochester, N. Y.	Granite Building
St. Louis, Mo.	Pierce Building
Salt Lake City, Utah	Newhouse Building
San Francisco, Cal.	Rialto Building
Seattle, Wash.	Colman Building
Spokane, Wash.	Paulsen Building
Springfield, Mass.	Massachusetts Mutual Building
Syracuse, N. Y.	Onondaga County Savings Bank Building
Toledo, Ohio	Spitzer Building
Washington, D. C.	Evans Building
Youngstown, Ohio	Wick Building

For MICHIGAN Business refer to General Electric Co. of Michigan
 Detroit, Mich. Dime Savings Bank Building

For TEXAS, OKLAHOMA and ARIZONA Business refer to
 Southwest General Electric Co. (Formerly Hobson Electric Co.)
 Dallas, Tex. 1701 N. Market Street
 E. Paso, Tex. 500 San Francisco Street
 Houston, Tex. Third and Washington Streets
 Oklahoma City, Okla. Insurance Building

Motor Agencies in all large cities and towns

Partial List of FOREIGN Sales Offices

General Electric Co., Foreign Dept.	Schenectady, N. Y.
General Electric Co., Foreign Dept.	30 Church St., New York, N. Y.
General Electric Co. of N. Y.	53 Cannon St., London, E. C., England
Australian General Electric Co.	Melbourne and Sydney
Companhia General Electric do Brazil	Rio de Janeiro
Cia. General Electric Sudamericana	Buenos Aires
Mexican General Electric Co.	City of Mexico
South African General Electric Co.	Johannesburg and Cape Town

Representatives and Agents in all Countries.

For all CANADIAN Business refer to Canadian General Electric Co., Ltd., Toronto, Ont.