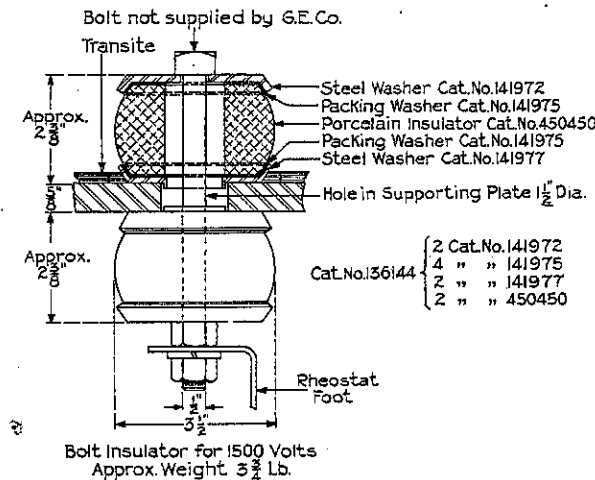
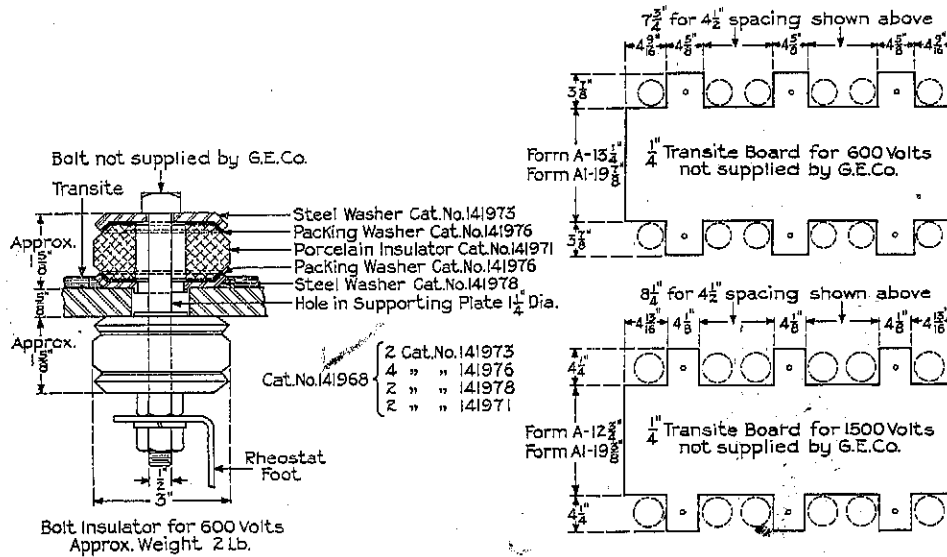
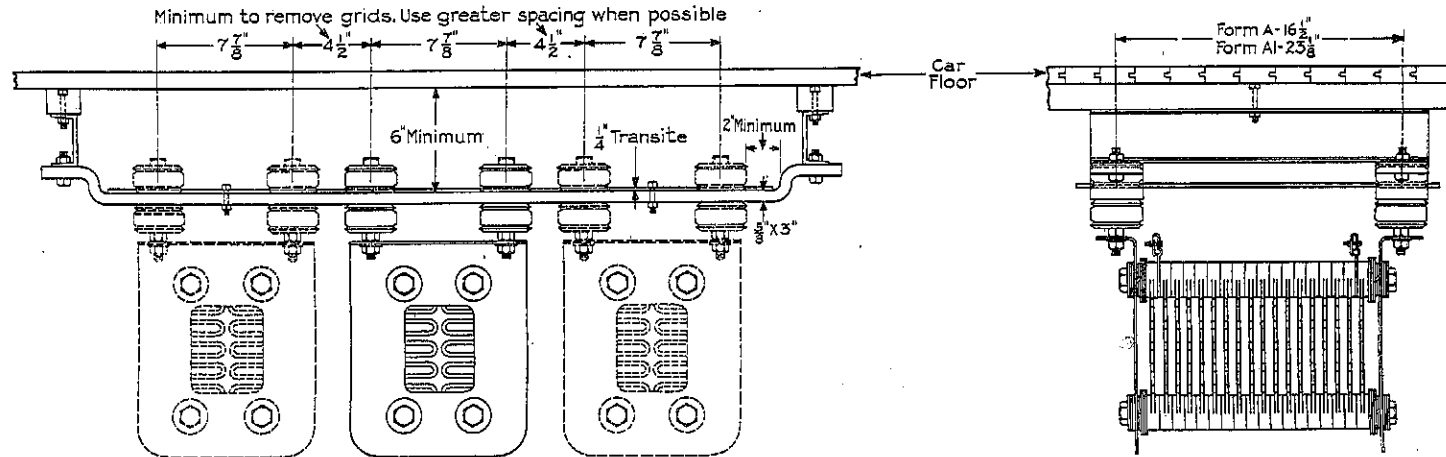


# METHOD OF SUPPORTING TYPE RG RESISTORS USING PORCELAIN BOLT INSULATORS FOR 600- AND 1500-VOLT WORK



For REFERENCE ONLY unless endorsed on back.  
DISTRICT OFFICES MAY APPROVE THIS PRINT FOR CONSTRUCTION.

1 JUNE, 1918

ENGINEERING DEPT.  
GENERAL ELECTRIC COMPANY

No. 15080  
Supersedes { DS 25877  
              DS 25878

2m 6-24-18

THE NATIONAL TRADING TRUST, ADELAIDE.  
Received Comptroller's order 11/19/19  
15/1/19  
1919

Australian Gen. Elec. Co.-Melbourne Australia.

Adelaide Tramways Trust  
Refer Your Telegram 7/5/19

THIS IS CORRECT ONLY  
CUSTOMERS-ORDER No. Cable-7/5/19 - 02386  
OUR REQ. No.  
SENT BY 1-51415

*W.C.*  
SIGNED BY

MANAGER