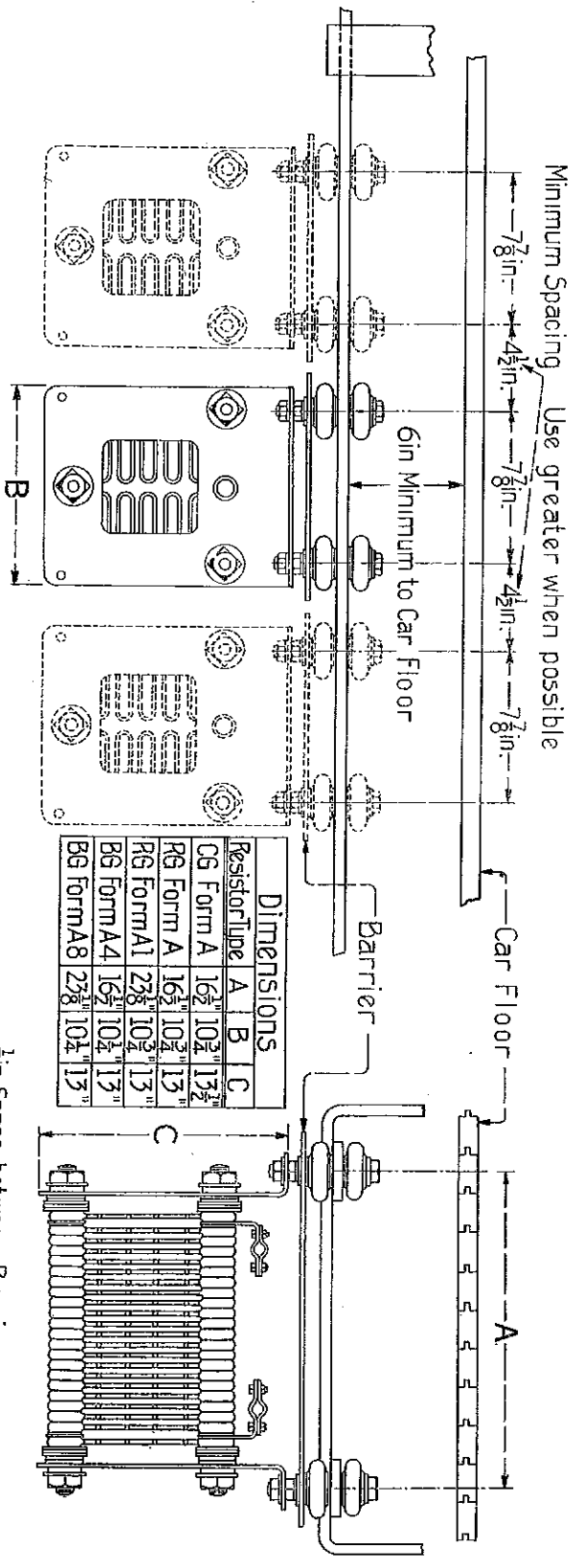


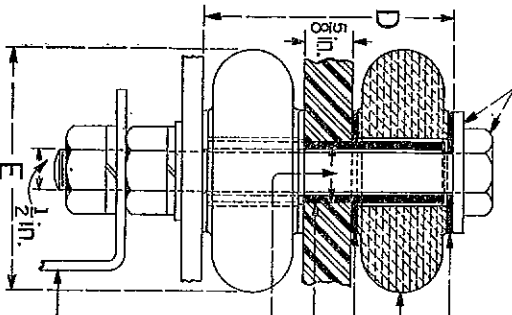
***METHOD OF SUPPORTING RAILWAY RESISTORS USING PORCELAIN BOLT INSULATORS FOR 600- AND 1500-VOLT WORK**

No. 15249-B

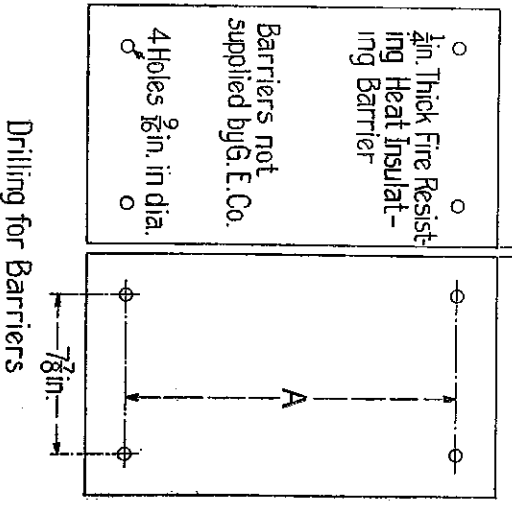


Resistor Tube	DIMENSIONS		
	A	B	C
CG Form A	16 1/2"	10 1/2"	13 1/2"
RG Form A	16 1/2"	10 1/2"	13"
RG Form A1	23 1/2"	10 1/2"	13"
BG Form A4	16 1/2"	10 1/2"	13"
BG Form A8	23 1/2"	10 1/2"	13"

Bolt and Metal Washer not supplied by G. E. Co.



	600 Volts	1500 Volts
Packing Washer	Cat. No. 1435581	Cat. No. 1435581
Porcelain Insulator	Cat. No. 450869	Cat. No. 450880
Packing Washer	Cat. No. 1435582	Cat. No. 1435796
Insulating Tube	Cat. No. 1803472P4	Cat. No. 1436075
Hole in Support	1 1/2 in.	1 5/8 in.
Complete Insulator	Cat. No. 1803472G1	Cat. No. 1949194G2
Weight	1 lb.	2 lb.
Dimension D	7 3/8 in.	4 8/16 in.
Dimension E	3 in.	3 1/2 in.



For REFERENCE ONLY unless endorsed on back. Destroy all copies of previous issue.

DISTRICT OFFICES MAY APPROVE THIS PRINT FOR CONSTRUCTION.

*General changes since last issue.

ENGINEERING DEPT.
GENERAL ELECTRIC COMPANY, U.S.A.

No. 15249-B
2m 2-28-25

No. 15249-B