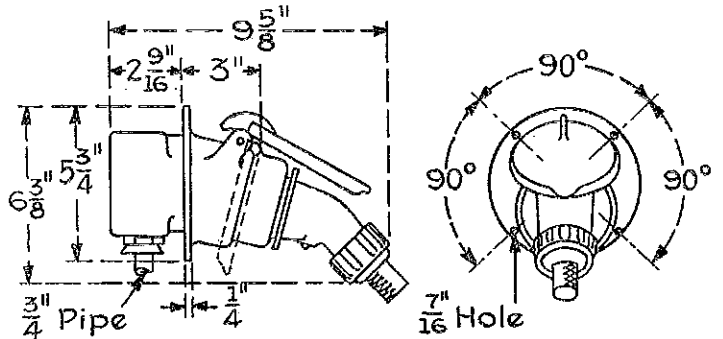
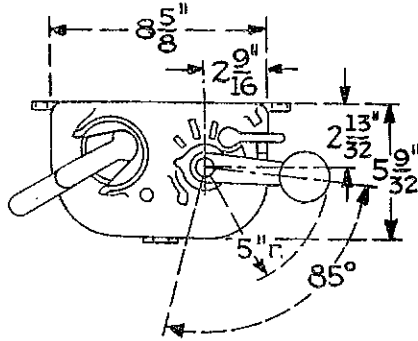
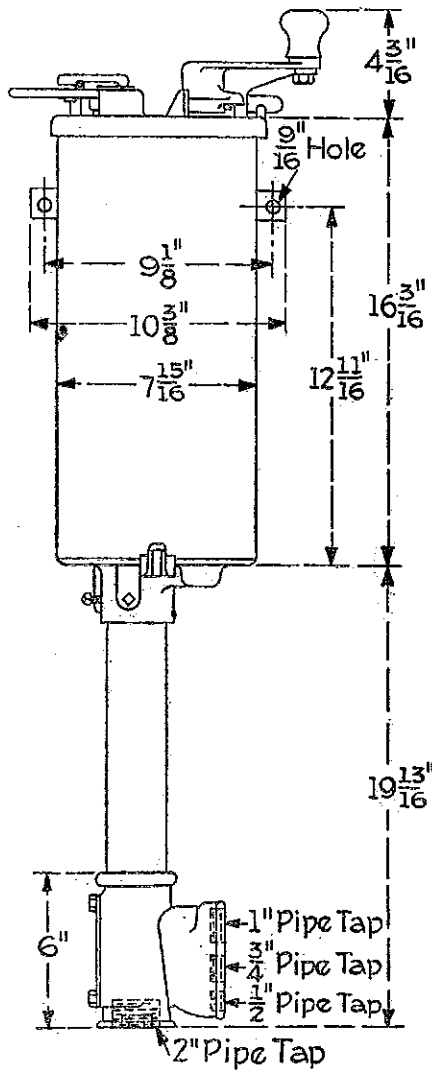


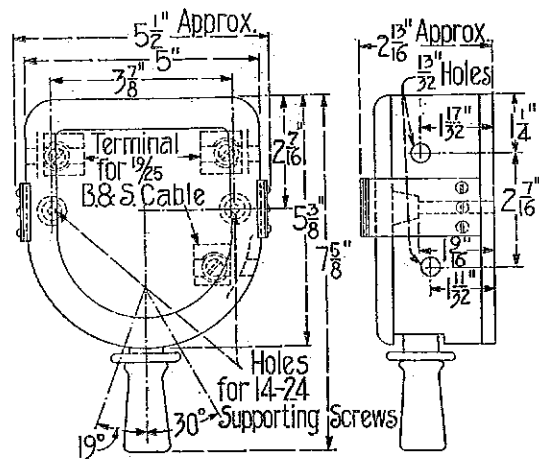
DIMENSIONS OF ELECTRICAL APPARATUS USED WITH 600-VOLT, TYPE PC RAILWAY CONTROL EQUIPMENT



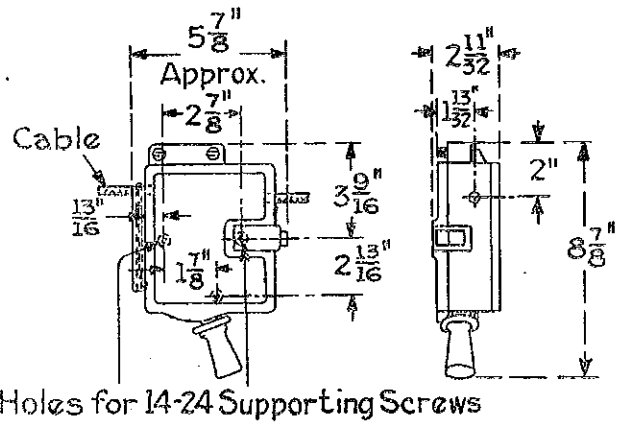
DA-82-C Coupler Socket and DC-54-C Coupler Plug
Approx. Weight 12 1/2 lb.



C-129-A Master Controller
Approx. Weight 45 lb.



MS-14-G Switch
Approx. Weight 4 lb.



Holes for 14-24 Supporting Screws
MS-46-H Switch
Approx. Weight 4 1/2 lb.

For REFERENCE ONLY unless endorsed on back.
DISTRICT OFFICES MAY APPROVE THIS PRINT FOR CONSTRUCTION.

2 JAN., 1924

No. 15382

ENGINEERING DEPT.

2m 2-17-25

GENERAL ELECTRIC COMPANY, U.S.A.