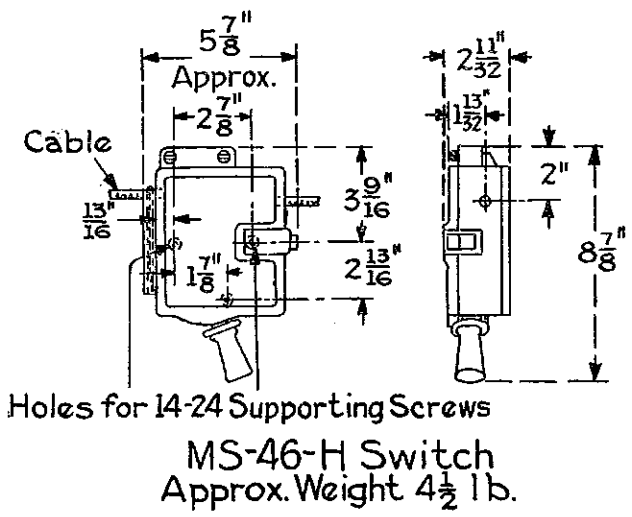
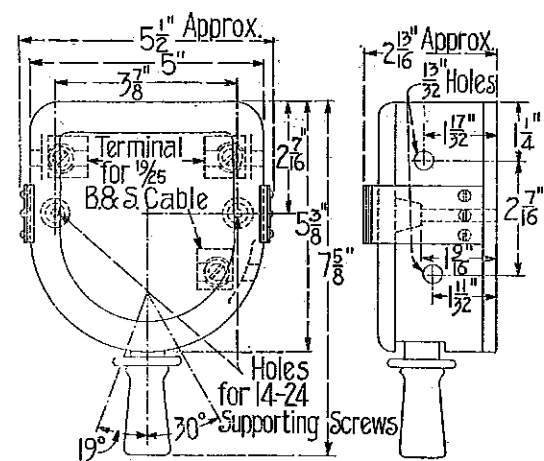
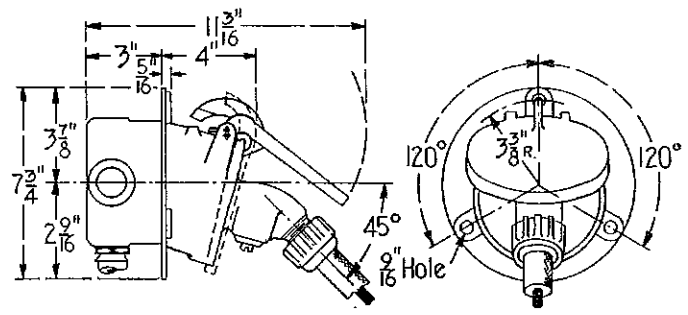
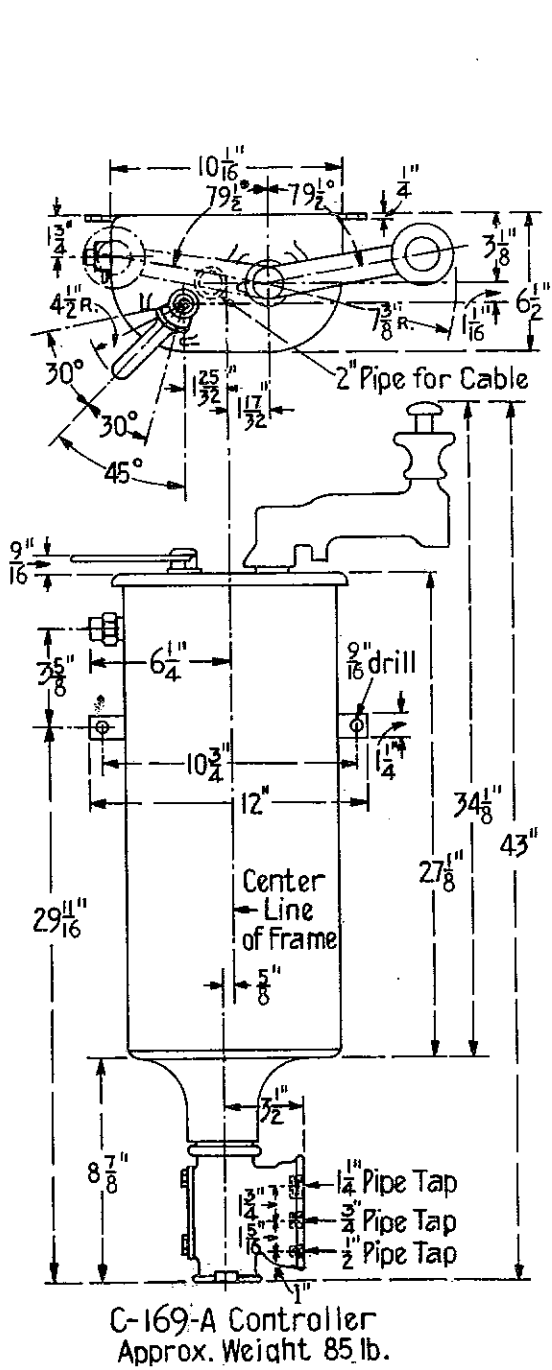


DIMENSIONS OF ELECTRICAL APPARATUS USED WITH TYPE M RAILWAY EQUIPMENT



For REFERENCE ONLY unless endorsed on back.
DISTRICT OFFICES MAY APPROVE THIS PRINT FOR CONSTRUCTION.

2 JAN., 1924

No. 15383

ENGINEERING DEPT.
GENERAL ELECTRIC COMPANY, U.S.A.

2m 1-14-24