

General Electric Company

Schenectady, N.Y.

SUPPLY DEPARTMENT

September, 1916

*Bulletin No. 58323

PARTS OF CR-9145 TYPE RG RHEOSTATS

FORMS A, A1, A2, A3, C AND C1

NOMENCLATURE

Each rheostat has a significant rating depending on the size, number and connections of its grids.

Each rheostat is designated by the symbol CR-9145, RG followed by a group or groups of symbols separated by dashes, the symbols in each group consisting of three parts, viz:

(1) A figure indicating the size and capacity of the grids in the group.

(2) A letter indicating the way in which the grids are connected within the group; "A" indicating that the grids are connected in series; "B" that two grids are connected in multiple, the sets in series; "C" indicating three grids in multiple, the sets in series.

(3) A figure indicating the number of grids in the group.

Illustrating the above, CR-9145-RG-7A 18-T-7A 18, is a rheostat containing thirty-six No. 7 grids, all connected in series.

CR-9145-RG-7B 18-T-7B 18 is a rheostat composed entirely of No. 7 grids connected two in multiple and containing thirty-six grids. CR-9145-RG-7C 18-T-7C 18 indicates that the same grids are used, but that they are connected three in multiple and the sets in series.

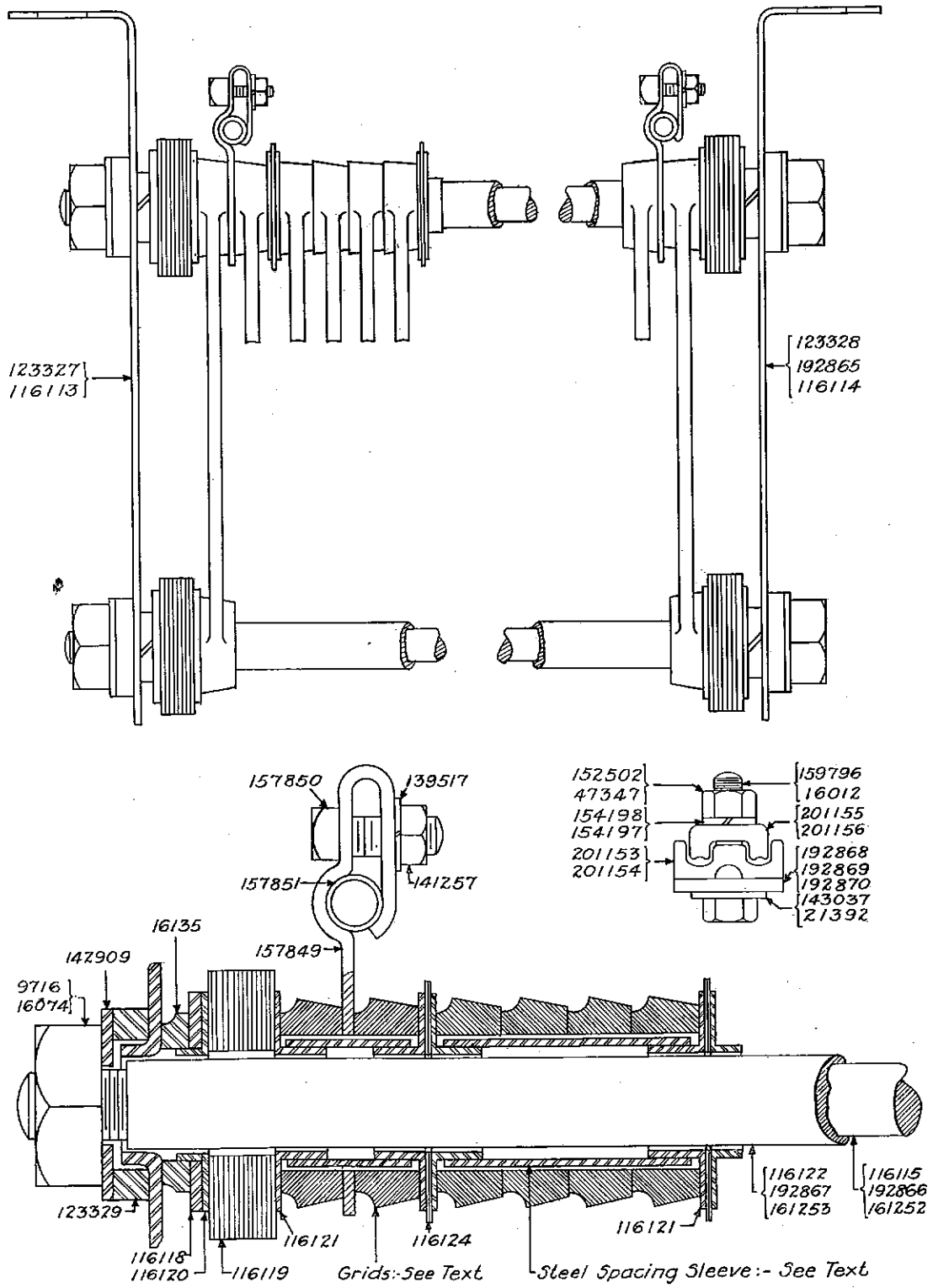
Referring to the example of ratings given above, the "T" indicates that connection is made at the top of the box between the left- and right-hand groups of grids. If connection is made at the bottom of the box the letter "T" is replaced by "Y".

Cat. No.	Description
123327	END FRAME (Forms A, A1, A2 and A3) for railway service, name plate end.....
123328	End frame (Forms A, A1 and A3) for railway service, opposite name plate end.....
192865	End frame (Form A2) for railway service, opposite name plate end.....
116113	End frame (Forms C and C1) for industrial service, name plate end.....
116114	End frame (Forms C and C1) for industrial service, opposite name plate end.....
116115	Tie rod for grids, for Forms A and C ($\frac{5}{8}$ in.-11, 16 in. sq. h.).....
192866	Tie rod for grids, for Forms A1 and A2 ($\frac{1}{2}$ in.-11, 23 $\frac{1}{4}$ in.).....
161252	Tie bolt for grids, for Forms A3 and C1 ($\frac{5}{8}$ in.-11, 14 in. sq. h.).....
116122	Mica tube for No. 116115 ($\frac{41}{64}$ in. by $\frac{27}{32}$ in. by 14 $\frac{7}{8}$ in.).....
192867	Mica tube for No. 192866 ($\frac{11}{16}$ in. by $\frac{27}{32}$ in. by 21 $\frac{1}{2}$ in.).....
161253	Mica tube for No. 161252 ($\frac{11}{16}$ in. by $\frac{27}{32}$ in. by 12 in.).....
9716	Nut for Nos. 116115, 161252 ($\frac{5}{8}$ in.-11, sq. st'd.).....
16074	Nut for No. 192866 ($\frac{5}{8}$ in.-11, hex. st'd.).....
142909	Steel washer back of nut ($\frac{11}{16}$ in. by 1 $\frac{3}{4}$ in. by 0.102 in.).....
123329	Spacing collar between No. 142909 and end frame ($1\frac{1}{16}$ in. by 1 $\frac{3}{4}$ in. by $\frac{1}{16}$ in. thick).....
16135	National lock washer.....
116118	Steel washer back of No. 16135 ($\frac{11}{16}$ in. by 2 in. by 0.114 in.).....
116119	Mica spacing collar ($\frac{1}{8}$ in. by 2 $\frac{1}{2}$ in. by $\frac{5}{8}$ in. thick).....
116120	Cupped washer between No. 116118 and mica spacing collar, sherardized.....
116124	Mica washer between grids ($\frac{7}{8}$ in. by 2 $\frac{1}{4}$ in. by 0.03 in.).....
116121	Cupped washer between mica spacing collar and grid and mica washer and grid, sherardized.....
116125	Steel spacing sleeve, $\frac{11}{16}$ in. long, sherardized.....
116126	Steel spacing sleeve, $\frac{3}{8}$ in. long, sherardized.....
116127	Steel spacing sleeve, 1 $\frac{1}{8}$ in. long, sherardized.....

NOTE.—Data subject to change without notice.
Supersedes Bulletin No. 4946.

GENERAL ELECTRIC COMPANY

58323-2 Parts of CR-9145 Type RG Rheostats, Forms A, A1, A2, A3, C and C1



GENERAL ELECTRIC COMPANY

Parts of CR-9145 Type RG Rheostats, Forms A, A1, A2, A3, C and C1 58323-3

Cat. No.	Description
116128	Steel spacing sleeve, $1\frac{3}{8}$ in. long, sherardized
116129	Steel spacing sleeve, $1\frac{7}{8}$ in. long, sherardized
116130	Steel spacing sleeve, $1\frac{9}{8}$ in. long, sherardized
116131	Steel spacing sleeve, $1\frac{3}{4}$ in. long, sherardized
116132	Steel spacing sleeve, $2\frac{1}{8}$ in. long, sherardized
116133	Steel spacing sleeve, $2\frac{3}{8}$ in. long, sherardized
116134	Steel spacing sleeve, $2\frac{5}{8}$ in. long, sherardized
116135	Steel spacing sleeve, $2\frac{7}{8}$ in. long, sherardized
116136	Steel spacing sleeve, $2\frac{1}{2}$ in. long, sherardized
116137	Steel spacing sleeve, 3 in. long, sherardized
116138	Steel spacing sleeve, $3\frac{5}{8}$ in. long, sherardized
201209	Steel spacing sleeve, $3\frac{5}{8}$ in. long, sherardized
116139	Steel spacing sleeve, $2\frac{3}{4}$ in. long, sherardized
116140	Steel spacing sleeve, $4\frac{1}{4}$ in. long, sherardized
116141	Steel spacing sleeve, $4\frac{7}{8}$ in. long, sherardized
116142	Connection strip for grids, sherardized
116145	Spacer for grids, opposite connection strip and terminal
157849	Terminal with terminal bushing, clamping bolt, nut and washer
157850	Clamping bolt for terminal ($\frac{3}{8}$ in.-16, 1 in. sq. h. sherardized)
141257	Check nut for No. 157850 ($\frac{3}{8}$ in.-16, $\frac{1}{4}$ in. thick, hex. st'd. sherardized)
139517	Spring lock washer for No. 141257 ($\frac{1}{2}$ in. by $\frac{25}{32}$ in. by 0.0625 in.)
157851	Terminal bushing for No. 157849

SPECIAL TERMINALS FOR LOCOMOTIVE SERVICE

192868	Flat copper strip ($4\frac{1}{2}$ in. long, $\frac{1}{8}$ in. bolt hole) for mounting cable terminal clamps
192869	Flat copper strip ($4\frac{1}{2}$ in. long $\frac{1}{8}$ in. bolt hole) for mounting cable terminal clamps
192870	Flat copper strip ($3\frac{3}{4}$ in. long, $\frac{1}{8}$ in. bolt hole) for mounting cable terminal clamps
116145	Spacer for grids opposite flat copper strip
201153	Large clamp for cable, drilled for $\frac{1}{2}$ in. bolt
201154	Large clamp for cable, drilled for $\frac{3}{8}$ in. bolt
201155	Small clamp for cable, drilled for $\frac{1}{2}$ in. bolt
201156	Small clamp for cable, drilled for $\frac{3}{8}$ in. bolt
159796	Clamping bolt for Nos. 201153, 201155 ($\frac{1}{2}$ in.-13, $2\frac{1}{4}$ in. hex. h.)
16012	Clamping bolt for Nos. 201154, 201156 ($\frac{3}{8}$ in.-16, $1\frac{7}{8}$ in. hex. h.)
143037	Washer for No. 159796 ($\frac{1}{2}$ in. by $1\frac{3}{8}$ in. by 0.125 in.)
21392	Washer for No. 16012 ($\frac{1}{2}$ in. by $\frac{3}{4}$ in. by 0.0625 in.)
152502	Nut for No. 159796 ($\frac{1}{2}$ in.-13, hex. st'd.)
47347	Nut for No. 16012 ($\frac{3}{8}$ in.-16, hex. st'd.)
154198	Spring lock washer for No. 152502 ($\frac{1}{2}$ in. by $1\frac{1}{2}$ in. by $\frac{1}{8}$ in. thick)
154197	Spring lock washer for No. 47347 ($\frac{3}{8}$ in. by $\frac{25}{32}$ in. by $\frac{3}{32}$ in. thick)

GRIDS

Cat. No.	Size Number	Resistance per grid at 25° Centigrade	Approximate weight in pounds per 100
60530	1	0.0095	224
60532	3	0.0145	190
60534	5	0.0215	171
60536	7	0.032	126
60538	9	0.049	112
60539	10	0.049	104
60541	12	0.074	92

GENERAL ELECTRIC COMPANY

PRINCIPAL OFFICES, SCHENECTADY, N. Y.

SALES OFFICES (Address nearest Office)

Atlanta, Ga.	Third National Bank Building
Baltimore, Md.	Munsey Building
Birmingham, Ala.	Brown-Marx Building
Boston, Mass.	84 State Street
Buffalo, N. Y.	Electric Building
Butte, Mont.	Electric Building
Charleston, W. Va.	Charleston National Bank Building
Charlotte, N. C.	Commercial National Bank Building
Chattanooga, Tenn.	James Building
Chicago, Ill.	Monadnock Building
Cincinnati, Ohio	Provident Bank Building
Cleveland, Ohio	Illuminating Building
Columbus, Ohio	Columbus Saving & Trust Building
Dayton, Ohio	Schwind Building
Denver, Colo.	First National Bank Building
Des Moines, Iowa	Hippee Building
Duluth, Minn.	Fidelity Building
Elmira, N. Y.	Hulett Building
Erie, Pa.	Marine National Bank Building
Fort Wayne, Ind.	1600 Broadway
Hartford, Conn.	Hartford National Bank Building
Indianapolis, Ind.	Traction Terminal Building
Jacksonville, Fla.	Heard National Bank Building
Joplin, Mo.	Miners' Bank Building
Kansas City, Mo.	Dwight Building
Knoxville, Tenn.	Bank & Trust Building
Los Angeles, Cal.	Corporation Building, 724 S. Spring Street
Louisville, Ky.	Starks Building
Memphis, Tenn.	Randolph Building
Milwaukee, Wis.	Public Service Building
Minneapolis, Minn.	410 Third Ave., North
Nashville, Tenn.	Stahlman Building
New Haven, Conn.	Second National Bank Building
New Orleans, La.	Maison-Blanche Building
New York, N. Y.	30 Church Street
Niagara Falls, N. Y.	Gluck Building
Omaha, Neb.	Union Pacific Building
Philadelphia, Pa.	Witherspoon Building
Pittsburg, Pa.	Oliver Building
Portland, Ore.	Electric Building
Providence, R. I.	Turks Head Building
Richmond, Va.	Virginia Railway & Power Building
Rochester, N. Y.	Granite Building
St. Louis, Mo.	Pierce Building
Salt Lake City, Utah	Newhouse Building
San Francisco, Cal.	Rialto Building
Seattle, Wash.	Colman Building
Spokane, Wash.	Paulsen Building
Springfield, Mass.	Massachusetts Mutual Building
Syracuse, N. Y.	Onondaga County Savings Bank Building
Toledo, Ohio	Spitzer Building
Washington, D. C.	Evans Building
Youngstown, Ohio	Wick Building

For MICHIGAN Business refer to General Electric Co. of Michigan
 Detroit, Mich. Dime Savings Bank Building

For TEXAS, OKLAHOMA and ARIZONA Business refer to
 Southwest General Electric Co. (Formerly Hobson Electric Co.)
 Dallas, Tex. 1701 N. Market Street
 E. Paso Tex. 500 San Francisco Street
 Houston, Tex. Third and Washington Streets
 Oklahoma City, Okla. Insurance Building

Motor Agencies in all large cities and towns

Partial List of FOREIGN Sales Offices

General Electric Co., Foreign Dept.	Schenectady, N. Y.
General Electric Co., Foreign Dept.	30 Church St., New York, N. Y.
General Electric Co. of N. Y.	83 Cannon St., London, E. C., England
Australian General Electric Co.	Melbourne and Sydney
Companhia General Electric do Brazil	Rio de Janeiro
Cia. General Electric Sudamericana.	Buenos Aires
Mexican General Electric Co.	City of Mexico
South African General Electric Co.	Johannesburg and Cape Town

Representatives and Agents in all Countries.

For all CANADIAN Business refer to Canadian General Electric Co., Ltd., Toronto, Ont.