



US-13-E TROLLEY BASE

For Railway Service

Cat. No. 601489

Buffer Spring cushions the pole socket in case the wheel leaves the wire.

Pole Changes made easy in the barn by aid of new locking device.

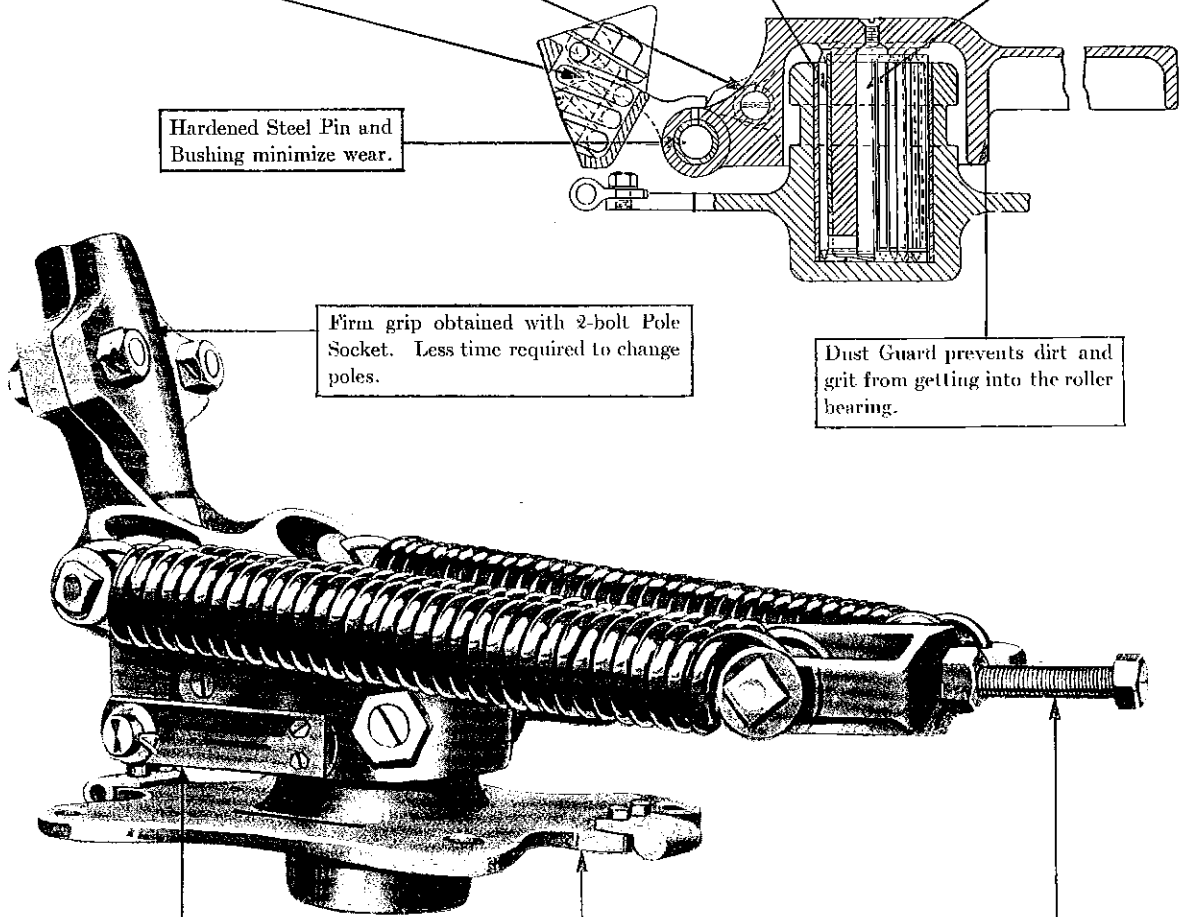
Rollers, Cage and Races are accurately machined and properly hardened.

Spacious Leak-proof Oil Reservoir affords ample lubrication.

Hardened Steel Pin and Bushing minimize wear.

Firm grip obtained with 2-bolt Pole Socket. Less time required to change poles.

Dust Guard prevents dirt and grit from getting into the roller bearing.



Shunt carries the current without heating mechanical parts.

Heavy Casting for mounting base.

Adjusting Screw permits one adjustment for all springs.

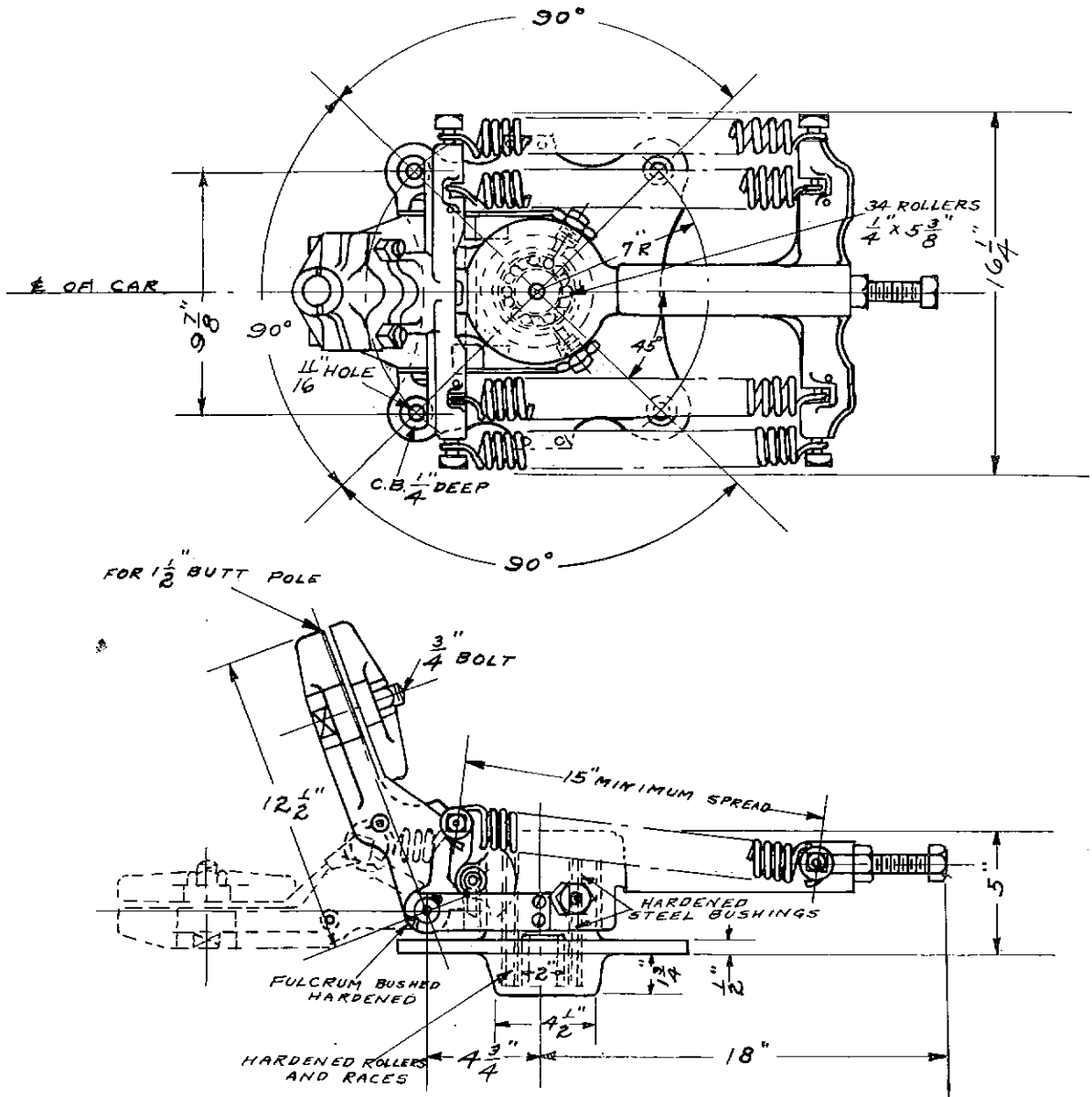
Ask our nearest office for complete information

GENERAL ELECTRIC COMPANY, Schenectady, N. Y.

SALES OFFICES IN ALL LARGE CITIES



Dimensions US-13-E Trolley Base



GENERAL ELECTRIC COMPANY

Akron, Ohio
 Atlanta, Ga.
 Baltimore, Md.
 Birmingham, Ala.
 Bluefield, W. Va.
 Boston, Mass.
 Buffalo, N. Y.
 Butte, Mont.
 Charleston, W. Va.
 Charlotte, N. C.
 Chattanooga, Tenn.
 Chicago, Ill.
 Cincinnati, Ohio

Cleveland, Ohio
 Columbus, Ohio
 *Dallas, Tex.
 Dayton, Ohio
 Denver, Colo.
 Des Moines, Iowa
 Detroit, Mich.
 Duluth, Minn.
 Elmira, N. Y.
 Erie, Pa.
 *El Paso, Tex.
 Fort Wayne, Ind.
 Grand Rapids, Mich.

General Office: Schenectady, N. Y.

ADDRESS NEAREST OFFICE

Hartford, Conn.
 *Houston, Tex.
 Indianapolis, Ind.
 Jackson, Mich.
 Jacksonville, Fla.
 Kansas City, Mo.
 Knoxville, Tenn.



Little Rock, Ark.
 Los Angeles, Cal.
 Louisville, Ky.
 Memphis, Tenn.
 Milwaukee, Wis.
 Minneapolis, Minn.
 Nashville, Tenn.

Newark, N. J.
 New Haven, Conn.
 New Orleans, La.
 New York, N. Y.
 Niagara Falls, N. Y.
 *Oklahoma City, Okla.
 Omaha, Neb.
 Philadelphia, Pa.
 Pittsburgh, Pa.
 Portland, Ore.
 Providence, R. I.
 Richmond, Va.
 Rochester, N. Y.

St. Louis, Mo.
 Salt Lake City, Utah
 San Francisco, Cal.
 Seattle, Wash.
 Spokane, Wash.
 Springfield, Mass.
 Syracuse, N. Y.
 Terre Haute, Ind.
 Trenton, N. J.
 Toledo, Ohio
 Washington, D. C.
 Worcester, Mass.
 Youngstown, Ohio

INTERNATIONAL GENERAL ELECTRIC CO., INC.

120 Broadway New York City, and Schenectady, N. Y.

REPRESENTATIVES AND AGENTS IN ALL COUNTRIES