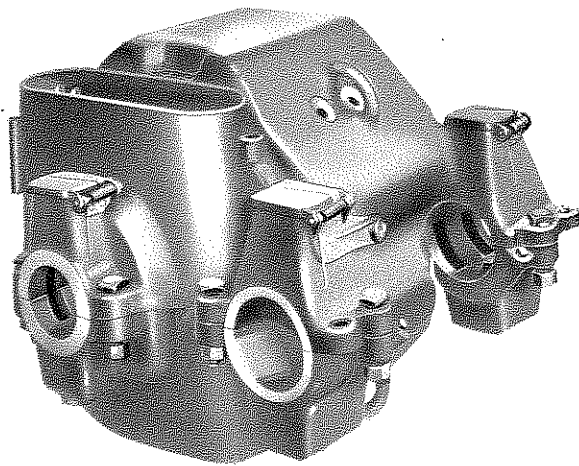




Instructions for Ordering MAGNET FRAMES

For Railway and Mine Haulage Motors



Split Frame Showing What Will be Furnished on Orders,
As Indicated in Item No. 1

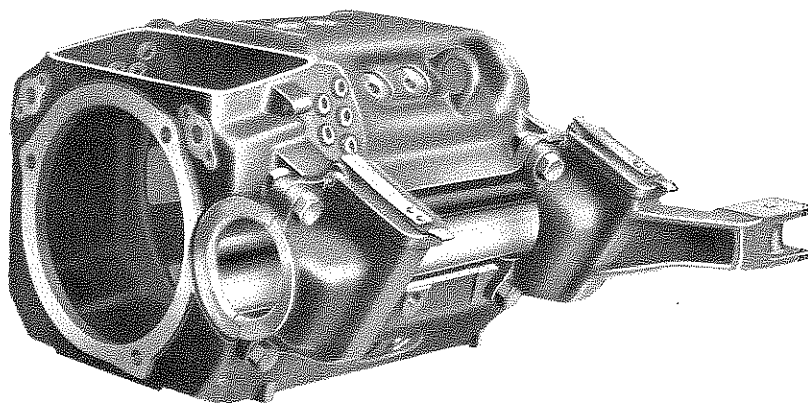
IN ordering magnet frames for railway or mine haulage motors much time will be saved by specifying the exact material required. Generally the bare magnet frame with bearing caps is wanted and orders are so interpreted unless other parts are specifically mentioned. Orders for complete magnet frames are sometimes misinterpreted since some customers expect a complete motor less the armature, while others would want certain other parts omitted. Field coils, brush-holders, frame covers, pole pieces and cables are not furnished unless specified.

To avoid delay in filling orders for magnet frames they should be made to read in some one of the forms listed below:

1. Magnet frame with cable bushings including all bearing caps equipped with covers. (Orders will be filled in this manner unless other parts are specified.)
2. Magnet frame with cable bushings including all bearing caps equipped with covers and frame heads equipped with covers.
3. Magnet frame with cable bushings including all bearing caps equipped with covers assembled with the following, or other, parts as may be specified on the order:
 - a. Pole pieces with flanges and pads.
 - b. Field coils (exciting and commutating).
 - c. Brush-holder supports.
 - d. Brush-holders.
 - e. Brush-holder cables and field coil cables.
 - f. Frame covers.
 - g. Frame heads with covers but without bearing linings.

Bearing linings are not furnished unless specified.

The type, class and form of motor should be specified, for example GE-67A, and in the case of mine locomotive motors the serial number of the locomotive should also be given.



Box Frame Showing What Will be Furnished on Orders,
As Indicated in Item No. 1

General Electric Company, Schenectady, N. Y.

SALES OFFICES IN ALL LARGE CITIES



GENERAL ELECTRIC COMPANY

GENERAL OFFICE: SCHENECTADY, N. Y.

SALES OFFICES (Address nearest Office)

Akron, Ohio.....	159 South Main Street	Los Angeles, Cal.....	724 South Spring Street
Atlanta, Ga.....	123 Spring Street	Louisville, Ky.....	455 South Fourth Street
Baltimore, Md.....	39 W. Lexington Street	Memphis, Tenn.....	130 Madison Avenue
Birmingham, Ala.....	2000 First Avenue	Milwaukee, Wis.....	217 Sycamore Street
Bluefield, W. Va.....	104 Federal Street	Minneapolis, Minn.....	107 South Fifth Street
Boston, Mass.....	84 State Street	Nashville, Tenn.....	234 Third Avenue, North
Buffalo, N. Y.....	39 East Genesee Street	Newark, N. J.....	671 Broad Street
Butte, Mont.....	40 East Broadway	New Haven, Conn.....	129 Church Street
Canton, Ohio.....	700 Tuscarawas Street	New Orleans, La.....	921 Canal Street
Charleston, W. Va.....	201 Capitol Street	New York, N. Y.....	120 Broadway
Charlotte, N. C.....	200 South Tryon Street	Niagara Falls, N. Y.....	201 Falls Street
Chattanooga, Tenn.....	536 Market Street	Oklahoma City, Okla.....	1 West Grand Avenue
Chicago, Ill.....	230 South Clark Street	Omaha, Neb.....	401 South 16th Street
Cincinnati, Ohio.....	632 Vine Street	Philadelphia, Pa.....	1321 Walnut Street
Cleveland, Ohio.....	925 Euclid Avenue	Pittsburgh, Pa.....	529 Smithfield Street
Columbus, Ohio.....	81 East State Street	Portland, Ore.....	329 Alder Street
Dallas, Tex.....	1801 North Lamar Street	Providence, R. I.....	76 Westminster Street
Davenport, Iowa.....	111 E. Third Street	Richmond, Va.....	700 East Franklin Street
Dayton, Ohio.....	25 North Main Street	Rochester, N. Y.....	130 Main Street East
Denver, Colo.....	819 17th Street	St. Louis, Mo.....	112 North 4th Street
Des Moines, Iowa.....	904 West Walnut Street	Salt Lake City, Utah.....	200 South Main Street
Detroit, Mich.....	719 Griswold Street	San Antonio, Tex.....	601 Navarro Street
Duluth, Minn.....	14 West Superior Street	San Francisco, Cal.....	116 New Montgomery Street
Elmira, N. Y.....	342 East Water Street	Seattle, Wash.....	811 First Avenue
El Paso, Tex.....	109 North Oregon Street	Spokane, Wash.....	423 Riverside Avenue
Erie, Pa.....	10 East Twelfth Street	Springfield, Mass.....	387 Main Street
Fort Wayne, Ind.....	1635 Broadway	Syracuse, N. Y.....	113 South Salina Street
Grand Rapids, Mich.....	201 Monroe Avenue	Tacoma, Wash.....	950 Pacific Avenue
Greenville, S. C.....	119 S. Main Street	Terre Haute, Ind.....	701 Wabash Avenue
Hartford, Conn.....	18 Asylum Street	Toledo, Ohio.....	520 Madison Avenue
Houston, Tex.....	1016 Walker Avenue	Tulsa, Okla.....	409 South Boston Street
Indianapolis, Ind.....	106 North Illinois Street	Utica, N. Y.....	239 Genesee Street
Jackson, Mich.....	308 Francis Street	Washington, D. C.....	1405 G Street N. W.
Jacksonville, Fla.....	108 West Forsyth Street	Waterbury, Conn.....	195 Grand Street
Kansas City, Mo.....	1004 Baltimore Avenue	Worcester, Mass.....	340 Main Street
Knoxville, Tenn.....	602 South Gay Street	Youngstown, Ohio.....	44 Central Square
Little Rock, Ark.....	223 West Second Street		

Motor Dealers and Lamp Agencies in all large cities and towns.

For Hawaiian business refer to W. A. Ramsay, Ltd., Honolulu.

SERVICE SHOPS

Atlanta.....	91 Glenn Street	Minneapolis.....	410 Third Ave., North
Chicago.....	509 E. Illinois Street	New York.....	627 Greenwich Street
Dallas.....	1801 N. Lamar Street	Oakland.....	5441 E. 14th Street
Erie.....	East Lake Road	Philadelphia.....	1223 Washington Avenue
Kansas City.....	819 E. 19th Street	Schenectady.....	1 River Road
Los Angeles.....	2330 E. 52nd Street	Seattle.....	1508 Fourth Ave. S.
St. Louis.....			1007-1009 Spruce Street

Distributors for the General Electric Company outside of the United States INTERNATIONAL GENERAL ELECTRIC COMPANY, INC.

New York City 120 Broadway	General Sales Offices Schenectady, N. Y.	London Crown House, Aldwych, W. C. 2
-------------------------------	---	---

FOREIGN OFFICES AND ASSOCIATED COMPANIES

ARGENTINA: General Electric S. A., Buenos Aires
 AUSTRALIA: Australian General Electric Company, Ltd., Sydney and Melbourne
 AUSTRIA: Joh. Kremenezky Fabrik Für Elektrische Glühlampen, Vienna; Elektrische Glühlampenfabrik "Watt" A. G., Vienna
 BELGIUM AND COLONIES: Societe d'Electricite et de Mecanique (Procedes Thomson-Houston & Carels) Societe Anonyme, Brussels, Belgium
 BRAZIL: General Electric, S. A., Rio de Janeiro and Sao Paulo
 CANADA: Canadian General Electric Company, Ltd., Toronto, Ontario
 CHILE: International Machinery Company, Santiago, Antofagasta and Valparaiso; Nitrate Agencies, Ltd., Iquique
 CHINA: Andersen, Meyer & Company, Ltd., Shanghai. International General Electric Company (General Office for the Far East excluding Japan and China), Shanghai
 COLOMBIA: Wesselhoef & Poor, Bogota, Barranquilla, Medellin and Bucaramanga
 CUBA: General Electric Company of Cuba, Havana and Santiago
 DUTCH EAST INDIES: International General Electric Company, Inc., Soerabaya, Java
 ECUADOR: Guayaquil Agencies Co., Guayaquil
 EGYPT: British Thoms on-Houston Company, Ltd., Cairo
 FRANCE AND COLONIES: Compagnie Francaise Thomson-Houston, Paris; Compagnie des Lampes, Paris; International General Electric Co., Inc., Paris
 GREAT BRITAIN AND IRELAND: British Thomson-Houston Company, Ltd., Rugby, England; International General Electric Company, Inc., Crown House, Aldwych, London, W. C. 2
 GREECE AND COLONIES: Compagnie Hellenique d'Electricite, Athens
 HOLLAND: Mijssen & Co., Amsterdam
 HUNGARY: United Incandescent Lamps and Electrical Company, Ltd., Ujpest, near Budapest; Ungarische Wolfraamlampen Fabrik—Joh. Kremenezky A. G. Budapest
 INDIA: International General Electric Company, Inc., Calcutta and Bombay
 ITALY AND COLONIES: Compagnia Generale Di Electricita, Milan; Fabbrica Lampade Itala, Milan; Societa Edison per la Fabbricazione delle Lampade, Milan
 JAPAN: Shibaura Engineering Works, Tokyo; Tokyo Electric Company, Ltd., Kawasaki, Kanagawa-Ken; International General Electric Co., Inc., Tokyo, Osaka
 MEXICO: General Electric S. A., City of Mexico, Guadalajara and Monterey
 NEW ZEALAND: National Electrical and Engineering Company, Ltd., Auckland, Dunedin, Christchurch and Wellington
 PARAGUAY: General Electric, S. A., Buenos Aires, Argentina
 PERU: W. R. Grace & Company, Lima
 PHILIPPINE ISLANDS: Pacific Commercial Company, Manila
 PORTO RICO: International General Electric Company, Inc., San Juan
 PORTUGAL AND COLONIES: Sociedad Iberica de Construccoes Electricas Lda., Lisbon
 SOUTH AFRICA: South African General Electric Company, Ltd., Johannesburg and Capetown
 SPAIN AND COLONIES: Sociedad Iberica de Construcciones Electricas, Madrid and Barcelona
 URUGUAY: General Electric, S. A., Montevideo
 VENEZUELA: Wesselhoef & Poor, Caracas