

R E P R I N T.

ENGINEERING ADVICE ON CATALOG NUMBERS. ADV. 1164.

No. 1164

7 July 1915.

Supersedes Eng. Advice No. 1072.

PARTS OF GE-201, FORMS E, G, H AND I, 600 VOLT AND FORM G, 600/1200 VOLT RAILWAY MOTORS.

NOTE:-See Pages 2, 3, 4 and 5 for illustrations.

Weights	
Motor, complete, without axle gear and case	2433 Lbs.
Armature, without pinion	648 "
Axle gear (71 teeth)	275 "
Gear Case	184 "
Exciting field coil	47 "
Commutating field coil	26 "

The GE-201-E Motor is a split frame, semi-ventilated; has keyed armature linings, coveled axle linings, auxiliary oil wells on armature and axle bearings and has two 1 1/2 in. suspension bolts.

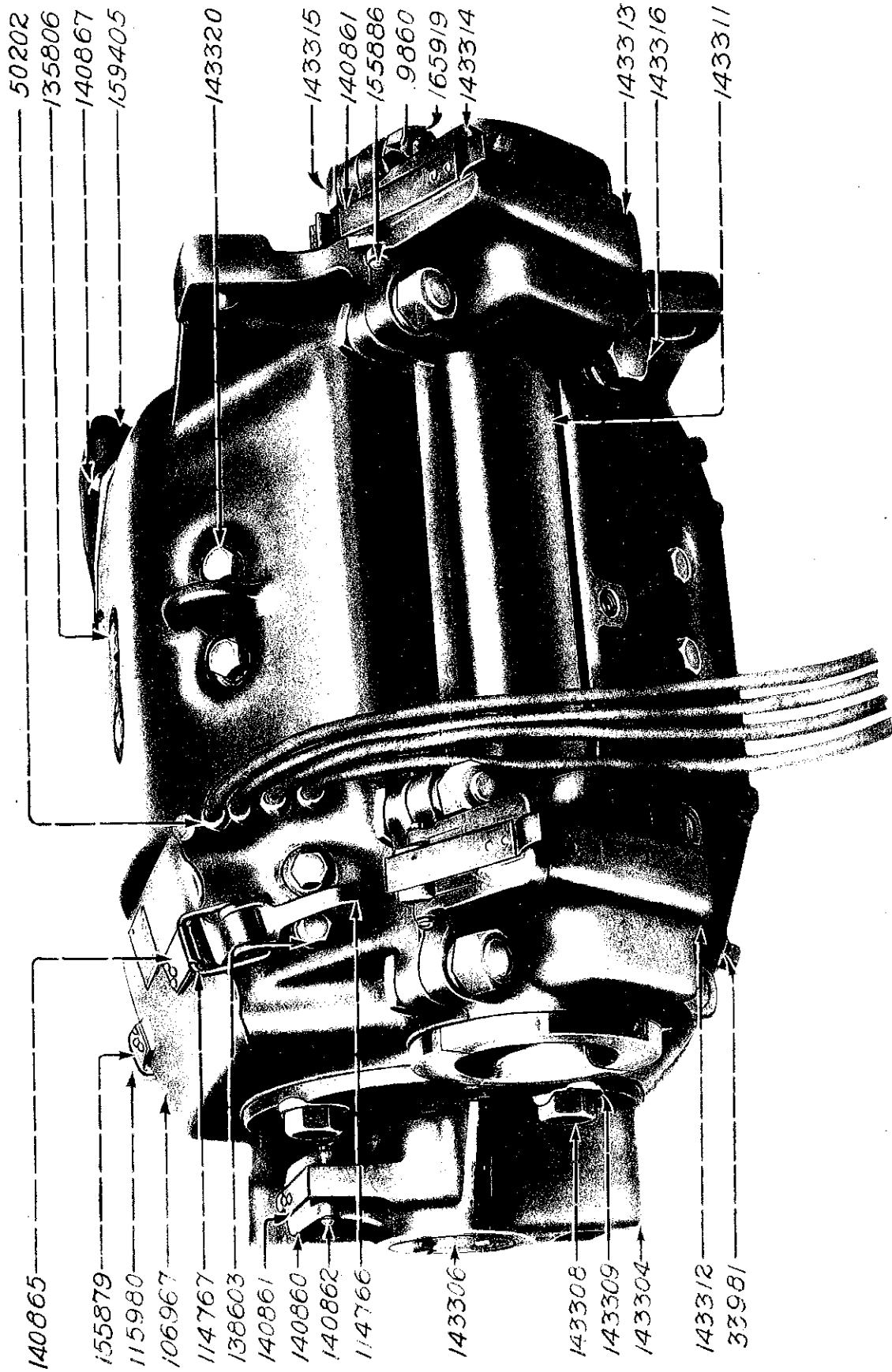
The GE-201-G Motor is a box frame, fully ventilated and has four 1 1/8 in. suspension bolts. Otherwise same as Form E.

The GE-201-H Motor is a split frame and has four 1 1/8 in. suspension bolts. Otherwise same as Form E.

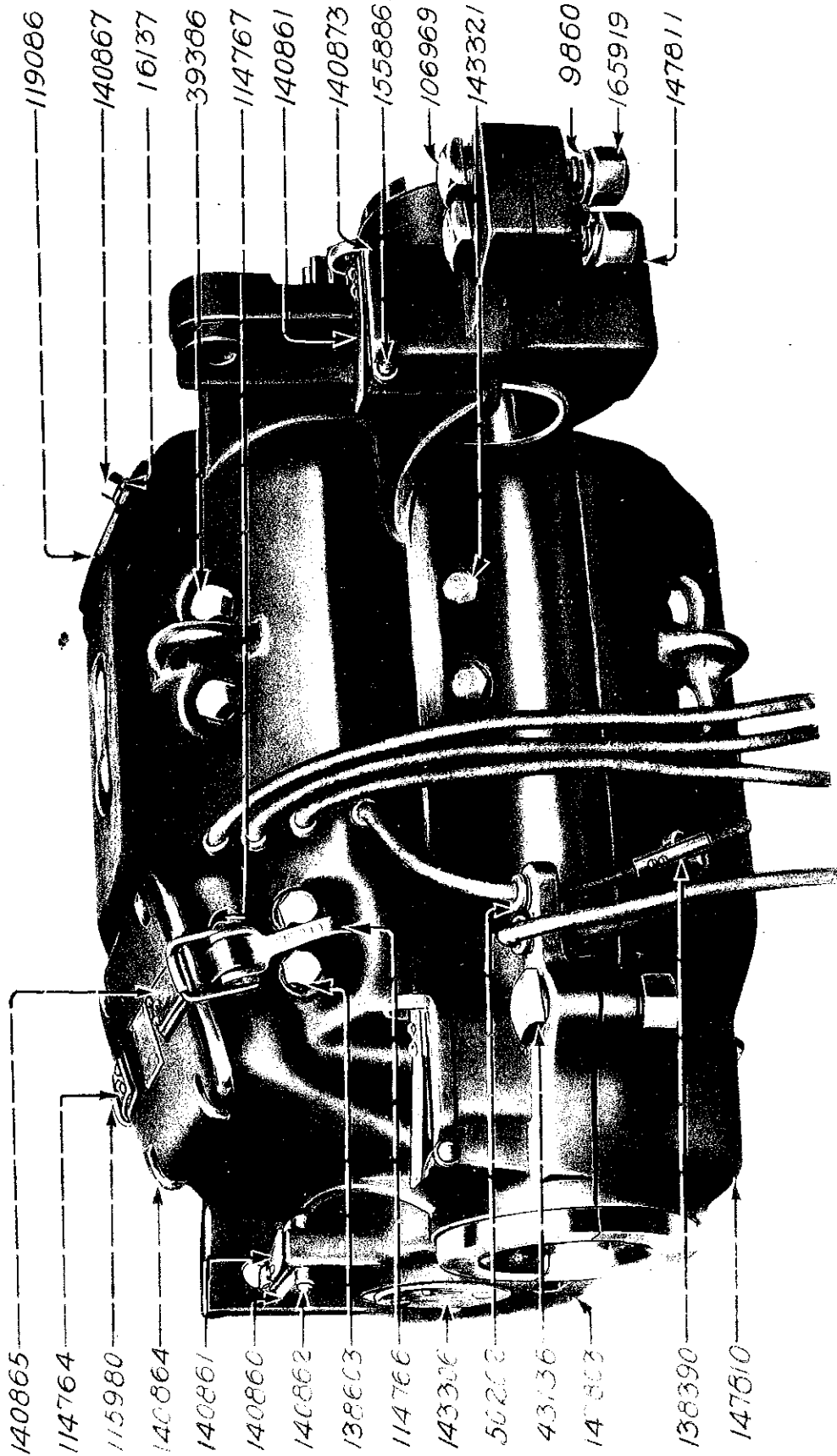
The GE-201-I Motor is a split frame, fully ventilated. Otherwise same as Form H.

Brush-holder cables, field coil connection cables and motor leads are 150 No. 25 B&S wire requiring approximately 40 feet per motor.

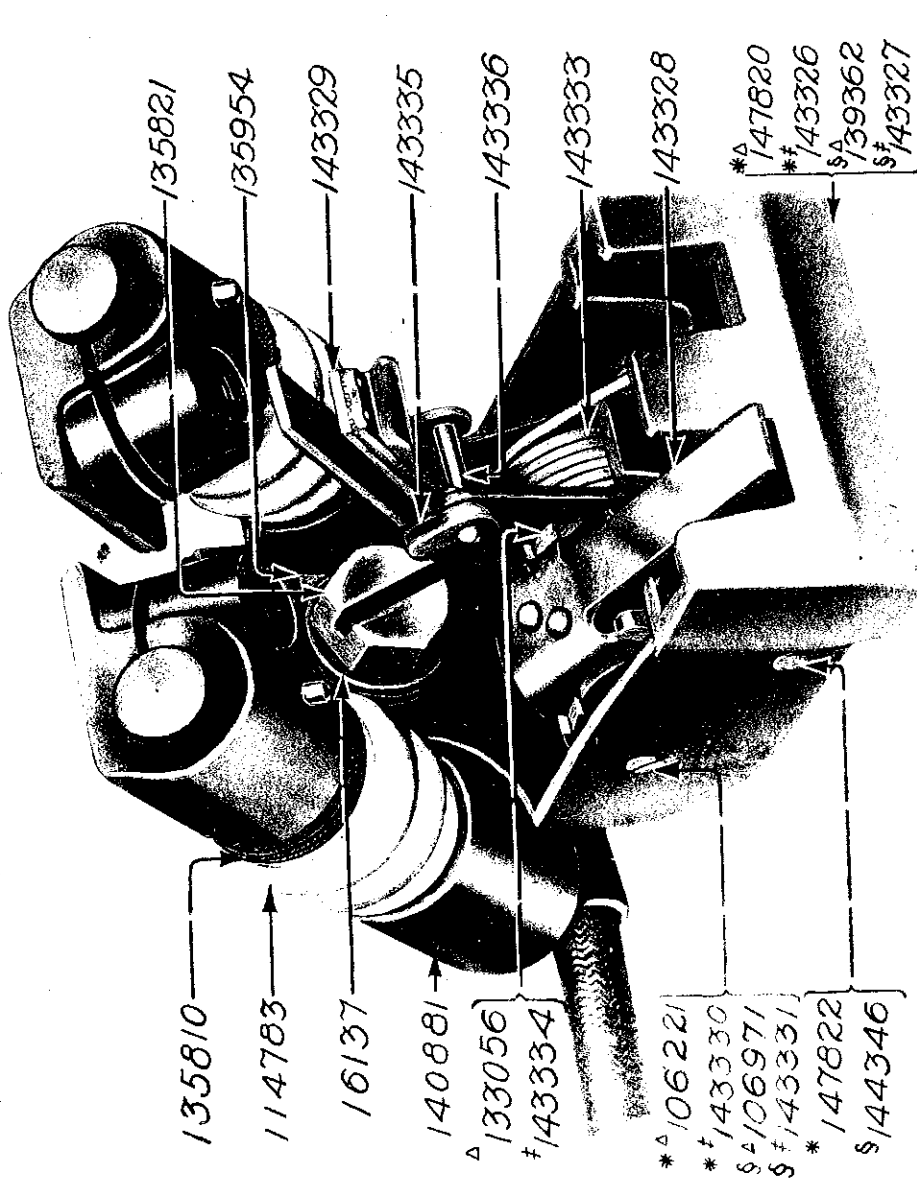
Cat.No.	Description
147803	FRAME HEAD, complete, commutator end, for GE-201, Forms E, H and I Motors
143304	Frame head, complete, commutator end, for GE-201-G Motor
147804	Frame head, complete, pinion end, for GE-201, Forms E, H and I Motors
147805	Frame head, complete, pinion end, for GE-201-G, 600 Volt motor
147806	Frame head, complete, pinion end, for GE-201-G, 600/1200 volt motor
64090	Socket pipe plug for frame heads (1/2 in. pipe)
140800	Lid, complete, with spring, for frame head grease chamber
140861	Spring with rivets, for No. 140860
140862	Hinge pin for No. 140860 (3/8 in. by 3 1/32 in. oval h.)
16118	Spring cotter for No. 140862 (1/8 in. by 3/4 in.)
143306	Dust cap for frame head, commutator end



GE-201-G, 600 Volt Railway Motor.



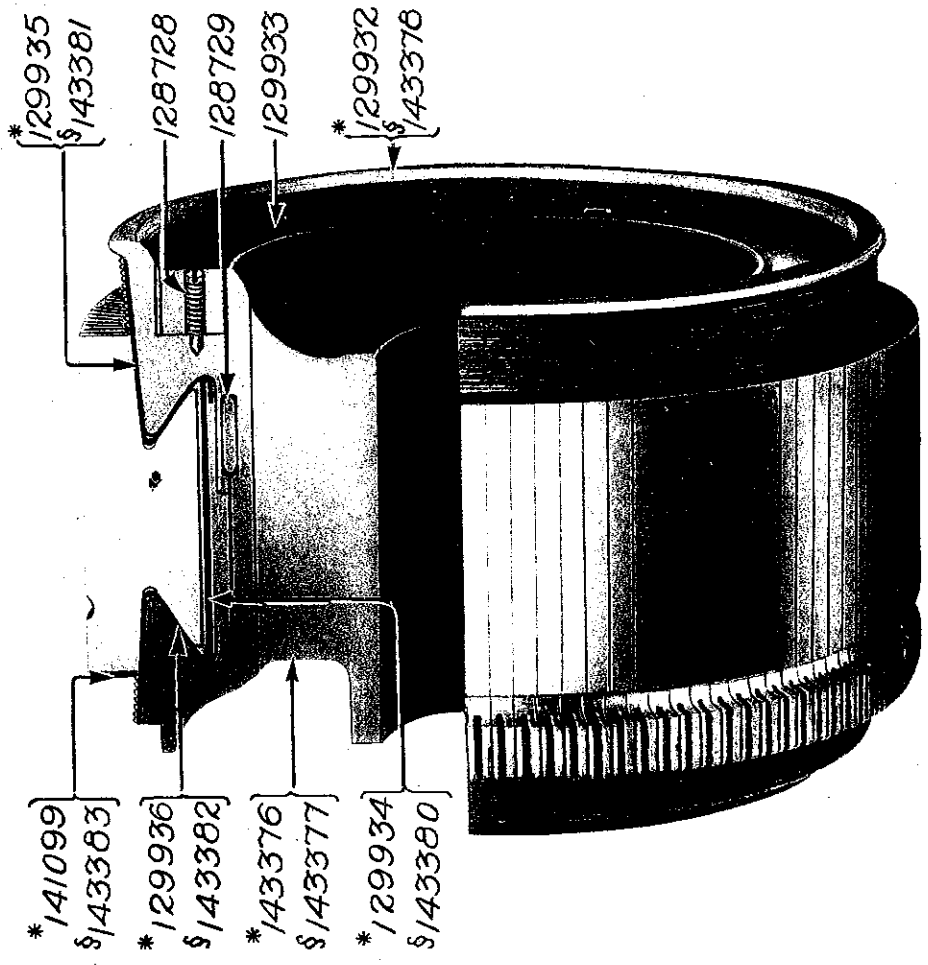
GE-201-H, 600 Volt Railway Motor



* For 600 Volt Motor
 Δ Pressure Arm Pin $\frac{3}{8}$ " Diam.

§ For 600/1200 Volt Motor
 † Pressure Arm Pin $\frac{5}{16}$ " Diam.

Brush-Holder For GE-201 Railway Motor



* For 600 Volt Motor
\$ For 600/1200 Volt Motor

Commutator For GE-201 Railway Motor.

PARTS OF GE-201, FORMS E, G, H AND I, 600 VOLT AND FORM G, 600/1200 VOLT RAILWAY MOTORS.

Cat.No.	Description
143307	Leather packing for dust cap (4 3/8 in. by 5 1/8 in. by 1/8 in. thick)
147807	Bolt fastening upper and lower frame castings together, No. 147803 to casting and short bolt fastening No. 147804 to casting, for GE-201-E Motor (1 1/4 in.-7, 4 in. sq.h. sp'1)
106965	Bolt fastening upper and lower frame castings together, No. 147803 to casting and short bolt fastening No. 147804 to casting, for GE-201, Forms H and I Motors (1 1/4 in.-7, 4 1/4 in. sq.h. sp'1)
147808	Long bolt fastening No. 147804 and gear case to casting, for GE-201-E Motor (1 1/4 in.-7, 5 3/8 in. sq.h.sp'1)
106966	Long bolt fastening No. 147804 and gear case to casting, for GE-201, Forms H and I Motors (1 1/4 in.-7, 5 3/4 in. sq.h. sp'1)
143308	Bolt fastening Nos. 143304, 147805, 147806 to casting (1 1/4 in.-7, 2 1/8 in. hex.h. sp'1)
165919	Nut for Nos. 147807, 106965 (1 1/4 in.-7, hex. st'd)
147809	Nut for Nos. 147808, 106966 (1 1/4 in.-7, sq. rough)
9860	Lock washer for Nos. 165919, 147809
143309	Washer for No. 143308 (1 5/16 in. by 3 in. by .0625 in.)
140864	Lid for frame casting over commutator, for GE-201, Forms E and H Motors
106967	Lid for frame casting over commutator, for GE-201, Forms G and I Motors
140865	Spring, includes two leaves with rivets, for Nos. 140864, 106967, axle side
114764	Spring, includes two leaves with rivets, for No. 140864, suspension side
155879	Spring, includes two leaves with rivets, for No. 106967, suspension side
140866	Stop with rivets and washers, for No. 140864
115980	Staple for No. 114764, holding lid in position
114766	Cam with hinge pin, fastening lid in position
114767	Link for cam and spring
33981	Lid with rope packing, for bottom of frame casting, commutator end
119086	Lid with rope packing, for upper and lower frame castings, pinion end, for GE-201, Forms E and H Motors and for bottom of frame casting, pinion end, for GE-201, Forms G and I Motors
159405	Ventilating intake with rope packing, for top of frame casting, pinion end, for GE-201-G Motor
159406	Screen with rivets and washers, for No. 159405
147660	Ventilating intake with rope packing, for upper frame casting, pinion end, for GE-201-I Motor
147661	Screen with rivets and washers, for No. 147660
140867	Bolt fastening Nos. 33981, 119086, 159405, 147660 to frame casting (5/8 in.-11, 1 1/2 in. hex.h. sp'1)
16137	Lock washer for No. 140867
50202	Soft rubber bushing for use with cables
143311	DUST GUARD for axle, for GE-201-G Motor

PARTS OF GE-201, FORMS E, G, H AND I, 600 VOLT AND FORM G, 600/1200
VOLT RAILWAY MOTORS.

Cat.No.	Description
147810	AXLE BEARING CAP, commutator end, for GE-201, Forms E, H and I Motors
143312	Axle bearing cap, complete, commutator end, for GE-201-G Motor
147811	Axle bearing cap, pinion end, for GE-201, Forms E, H and I Motors
143313	Axle bearing cap, complete, pinion end, for GE-201-G Motor
140870	Dowel pin for axle bearing caps (3/4 in. by 15/16 in. case hardened)
143314	Lid, complete, with spring, for grease chamber, for Nos. 143312, 143313
140861	Spring with rivets, for No. 143314
155886	Hinge pin for No. 143314 (3/8 in. by 3 1/2 in. oval h.)
16118	Spring cotter for No. 155886 (1/8 in. by 3/4 in.)
140873	Lid, complete, with spring, for axle bearing grease chamber, commutator and pinion ends, for GE-201, Forms E, H and I Motors
140861	Spring with rivets, for No. 140873
155886	Hinge pin for No. 140873 (3/8 in. by 3 1/2 in. oval h.)
16118	Spring cotter for No. 155886 (1/8 in. by 3/4 in.)
147812	Short bolt fastening Nos. 147810, 147811 to frame casting, for GE-201-E Motor (1 1/4 in.-7, 4 1/8 in. sq.h. sp'l)
147813	Long bolt fastening No. 147810 to frame casting, for GE-201-B Motor and short bolt fastening Nos. 147810, 147811 to frame casting, for GE-201, Forms H and I Motors (1 1/4 in.-7, 4 3/8 in. sq.h. sp'l)
143136	Long bolt fastening No. 147810 to frame casting, for GE-201, Forms H and I Motors (1 1/4 in.-7, 4 5/8 in. sq.h. sp'l)
147814	Long bolt fastening No. 147811 and gear case to frame casting, for GE-201-B Motor (1 1/4 in.-7, 5 7/8 in. sq.h. sp'l)
106969	Long bolt fastening No. 147811 and gear case to frame casting, for GE-201, Forms H and I Motors (1 1/4 in.-7, 6 1/8 in. sq.h. sp'l)
143315	Long bolt fastening Nos. 143312, 143313 to frame casting (1 1/4 in.-7, 3 7/8 in. sq.h. sp'l)
143316	Short bolt fastening Nos. 143312, 143313 to frame casting (1 1/4 in.-7, 3 1/4 in. hex.h. sp'l)
165919	Nut for Nos. 147812, 147813, 143136, 147814, 106969, 143315 (1 1/4 in.-7, hex. st'd)
9860	Lock washer for Nos. 143316, 165919
43766	Hinge bolt for frame castings, for GE-201, Forms E, H and I Motors (1 1/8 in.-7, 4 in. sp'l, drilled for spring cotter)
167700	Nut for No. 43766 (1 1/8 in.-7, hex. st'd)
50218	Lock washer for No. 167700
40386	Hinge pin for upper frame casting, for GE-201, Forms E, H and I Motors (1 in. by 4 3/4 in.)

PARTS OF GE-201, FORMS E, G, H AND I, 600 VOLT AND FORM G, 600/1200
VOLT RAILWAY MOTORS.

Cat. No.	Description
16323	Spring cotter for Nos. 43766, 40386 (3/16 in. by 1 1/2 in.)
147815	Suspension bolt for GE-201-L Motor (1 1/2 in.-6, 4 in. sq/h. sp'l)
135801	Suspension bolt for GE-201-G Motor (1 1/8 in.-7, 3 1/2 in. sq.h. sp'l)
147816	Suspension bolt for GE-201, Forms H and I Motors (1 1/8 in.-7, 3 5/8 in. sq.h. sp'l)
167559	Nut for No. 147815 (1 1/2 in.-6, hex. st'd)
156415	Nut for Nos. 135801, 147816 (1 1/8 in.-7, hex. st'd)
24868	Lock washer for No. 167559
50218	Lock washer for No. 156415
143318	LAMINATED POLE PIECE for exciting field coils
143319	Commutating pole piece
39386	Bolt fastening No. 143318 to frame casting, for GE-201, Forms E, H and I Motors (7/8 in.-9, 4 in. hex.h. sp'l)
143320	Bolt fastening No. 143318 to frame casting, for GE-201-G Motor (7/8 in.-9, 4 1/16 in. hex.h. sp'l)
143321	Bolt fastening No. 143319 to frame casting, axle side (7/8 in.-9, 1 3/4 in. hex.h. sp'l)
147817	Bolt fastening No. 143319 to frame casting, except axle side, for GE-201, Forms E, H and I Motors (7/8 in.-9, 2 3/8 in. hex.h. sp'l)
135806	Bolt fastening No. 143319 to frame casting, except axle side, for GE-201-G Motor (7/8 in.-9, 2 5/8 in. hex.h. sp'l)
16135	Lock washer for Nos. 39386, 143320, 147817, 135806
106970	Lock washer for No. 143321 (29/32 in. by 1 13/32 in. by 5/32 in. sp'l)
138346	AXLE BEARING LINING, malleable iron and babbitt (2 halves, 4 1/2 in. bore), for GE-201, Forms E, H and I Motors
159178	Axle bearing lining, brass (2 halves, 4 3/4 in. bore), for GE-201, Forms E, H and I Motors
136023	Axle bearing lining, brass (2 halves, 5 in. bore), for GE-201, Forms E, H and I Motors
136087	Axle bearing lining, malleable iron and babbitt (2 halves, 4 1/2 in. bore), for GE-201-G Motor
135918	Axle bearing lining, brass (2 halves, 5 in. bore), for GE-201-G Motor
137726	ARMATURE BEARING LINING, commutator end, brass and babbitt
137727	Armature bearing lining, pinion end, brass and babbitt
140879	Key for Nos. 137726, 137727 and frame heads (3/8 in. by 3/8 in. by 2 in. round ends)

PARTS OF GE-201, FORMS E, G, H AND I, 600 VOLT AND FORM G, 600/1200 VOLT RAILWAY MOTORS.

Cat.No.	Description
	NOTE:-Brush-holders having 3/8 in. and 5/16 in. pins for pressure arms have been furnished for the GE-201 Motors. In ordering repair parts care should be taken to determine whether parts required are for the brush-holder having 3/8 in. or 5/16 in. pins for pressure arms
147818	BRUSH-HOLDER SUPPORT, complete, with brackets and brush-holder having 3/8 in. pin for pressure arms; for 600 volt motor
143322	Brush-holder support, complete, with brackets and brush-holder having 5/16 in. pin for pressure arms, for 600 volt motor
139360	Brush-holder support, complete, with brackets and brush-holder having 3/8 in. pin for pressure arms, for GE-201-G, 600/1200 volt motor
143323	Brush-holder support, complete, with brackets and brush-holder having 5/16 in. pin for pressure arms, for GE-201-G, 600/1200 volt motor
14088F	Brush-holder support, complete, with insulated studs and brackets
114783	Porcelain insulator for studs
135810	Oiled canvas washer for studs (1 1/8 in. by 1 5/8 in. by .01 in. thick)
147819	Brush-holder, complete, with 3/8 in. pin for pressure arms, for 600 volt motor
143324	Brush-holder, complete, with 5/16 in. pin for pressure arms, for 600 volt motor
139361	Brush-holder, complete, with 3/8 in. pin for pressure arms, for GE-201-G, 600/1200 volt motor
143325	Brush-holder, complete, with 5/16 in. pin for pressure arms, for GE-201-G, 600/1200 volt motor
147820	Brush-holder body with pins, for No. 147819
143326	Brush-holder body with pins, for No. 143324
139362	Brush-holder body with pins, for No. 139361
143327	Brush-holder body with pins, for No. 143325
143328	Pressure arm with contact spring, tip and flexible flat braided connector
143329	Contact spring with flexible flat braided connector, tip and rivets
140886	Brass washer plate with rivets, fastening flexible connector to brush-holder body
106221	Hinge pin for pressure arms and ratchets, for No. 147819 (3/8 in. by 3 3/4 in. sp'1)
143330	Hinge pin for pressure arms and ratchets, for No. 143324 (5/16 in. by 3 3/4 in. sp'1)
106971	Hinge pin for pressure arms and ratchets, for No. 139361 (3/8 in. by 3 5/8 in. sp'1)
143331	Hinge pin for pressure arms and ratchets, for No. 143325 (5/16 in. by 3 9/16 in. sp'1)

PARTS OF GE-201, FORMS E, G, H AND I, 600 VOLT AND FORM G, 600/1200 VOLT RAILWAY MOTORS.

Cat. No.	Description
15207	Spring cotter for No. 106221 (1/8 in. by 1 1/2 in.)
32015	Spring cotter for No. 143330 (3/32 in. by 1 1/2 in.)
16076	Spring cotter for No. 100971 (1/8 in. by 1 in.)
9747	Spring cotter for No. 143331 (3/32 in. by 1 in.)
143333	Tension spring
133056	ratchet for tension spring for Nos. 147819, 139361
143334	ratchet for tension spring for Nos. 143324, 143325
143335	Pawl for ratchet
143336	Pivot pin for pawl (3/16 in. by 1 5/32 in.)
26851	Spring cotter for No. 143336 (1/16 in. by 3/8 in.)
106972	Spacing washer between ratchets, for No. 139361 (13/32 in. by 1 in. by .060 in. brass)
106973	Spacing washer between ratchets, for No. 143325 (21/64 in. by 7/8 in. by .0625 in. brass)
147822	Pin for tension springs for Nos. 147819, 143324 (1/4 in. by 3 13/16 in. oval h.)
144346	Pin for tension springs for Nos. 139361, 143325 (1/4 in. by 3 7/16 in. oval h.)
135821	Bolt fastening brush-holder to support (5/8 in.-11, 1 3/4 in. hex.h. slot. sp'1)
135954	Wedge washer for No. 135821 (21/32 in. hole, sp'1)
16137	Lock washer for No. 135821
138603	Bolt fastening brush-holder support to frame casting (3/4 in.-10, 2 3/4 in. hex.h. sp'1)
16136	Lock washer for No. 138603
100376	CARBON BRUSH for 600 volt motor (2 1/4 in. long, 1 3/4 in. wide, 9/16 in. thick) two required for each holder, four for each motor
14764	Carbon brush for 600/1200 volt motor (2 1/4 in. long, 1 3/8 in. wide, 1/2 in. thick) two required for each holder, four for each motor
143343	Terminal for brush-holder cable and lead
140867	Bolt fastening No. 143343 to brush-holder support (5/8 in.-11, 1 1/2 in. hex.h. sp'1)
16137	Lock washer for No. 140867
157083	EXCITING FIELD COIL, complete, with two terminals, for 600 volt motor
143344	Exciting field coil, complete, with two terminals, for GE-201-G, 600/1200 volt motor
147823	Exciting field coil (tapped field), complete, with four terminals, for GE-201-G, 600/1200 volt motor
157084	Commutating field coil, complete, for 600 volt motor
143345	Commutating field coil, complete, for GE-201-G, 600/1200 volt motor
143346	Outside terminal with connection strip and screws, for Nos. 157083, 143344
147824	Outside terminal with connection strip and screws, for No. 147823
143347	Outside terminal with screws and rivets, for Nos. 157084, 143345

PARTS OF GE-201, FORMS B, G, H AND I, 600 VOLT AND FORM G, 600/1200 VOLT RAILWAY MOTORS.

Cat.No.	Description
143348	Inside terminal with screws and rivets, for Nos. 157083, 143344
147825	Inside terminal with connection strip and screws, for No. 147823
143349	Inside terminal with screws and rivets, for Nos. 157084, 143345
10063	Screw for terminals (14-24, 5/8 in. fill.h.)
138390	Two-way connector with screws, for field coil cables, for GE-201-B, H and I Motors
32857	Screw for connector (12-24, 3/8 in. r.h. blued)
144368	Three-way connector for tapped field coil connection cable and motor lead
143357	Steel pad for exciting field coil
143358	Steel pad for commutating field coil
143359	Spring flange for exciting field coil
143360	Spring flange for commutating field coil
61167	AXLE KEY (1 in. by 1 in. by 5 in.)
136667	*ADJUSTABLE AXLE COLLAR, 2 halves (4 1/2 in. axle), for GE-201-G Motor
138350	*Adjustable axle collar, 2 halves (5 in. axle), for GE-201-G Motor
141981	Non-adjustable axle collar, 2 halves (5 in. axle), Special for GE-201-H Motor
140054	Screw for adjusting Nos. 136667, 138350 from 5 1/16 in. to 7 1/2 in. (1 in.-8, 5 in. sp'l)
135840	Nut for No. 140054 (1 in.-8, 3/4 in. thick, 1 5/8 in. across flats, hex. st'd)
16130	Lock washer for No. 135840
135781	Spring cotter for No. 140054 (3/16 in. by 2 3/4 in.)
34076	Bolt for Nos. 136667, 138350 (3/4 in.-10, 4 1/4 in. sq.h.)
140925	Bolt for No. 141981 (3/4 in.-10, 3 1/4 in. sq.h.)
159596	Nut for Nos. 34076, 140925 (3/4 in.-10, hex. st'd)
16136	Lock washer for No. 159596
135459	SOLID GEAR, 65 teeth, 5.985 in. bore
135112	Solid gear, 65 teeth, 5.994 in. bore
135413	Split gear, 66 teeth, 5 3/4 in. bore
135364	Solid gear, 66 teeth, 5.494 in bore
149005	Split gear, 66 teeth, 6 in. bore
65767	Split gear, 67 teeth, 5 in. bore
65781	Split gear, 67 teeth, 5 1/2 in. bore
135141	Solid gear, 67 teeth, 5.994 in. bore
65648	Split gear, 67 teeth, 6 in. bore
65322	Split gear, 69 teeth, 4 1/2 in. bore
135356	Solid gear, 71 teeth, 4.489 in. bore
135179	Solid gear, 71 teeth, 4.496 in. bore
135448	Solid gear, 71 teeth, 5.486 in. bore (with keyway)
135292	Solid gear, 71 teeth, 5.486 in. bore (without keyway)
135105	Solid gear, 71 teeth, 5.494 in. bore
65735	Solid gear, 71 teeth, 5.994 in. bore
*	Includes adjusting screw

PARTS OF GE-201, FORMS E, G, H AND I, 600 VOLT AND FORM G, 600/1200 VOLT RAILWAY MOTORS.

Cat.No.	Description
115215	Pinion, 15 teeth, 3 in. taper bore
115255	Pinion, 17 teeth, 3 in. taper bore
115258	Pinion, 19 teeth, 3 in. taper bore
115297	Pinion, 20 teeth, 3 in. taper bore
115217	Pinion, 21 teeth, 3 in. taper bore
136076	GEAR CASE (D.L. 146366) for GE-201-E, H and I Motors, complete, adapted for use with gear having 9 in. hub diameter, max. gear 71 teeth, max. pinion 23 teeth (malleable iron)
136077	Gear case (D.L. 146367) for GE-201-G Motor, complete, adapted for use with gear having 9 in. hub diameter, max. gear 71 teeth, max. pinion 23 teeth (malleable iron)
114818	Lid for oil hole, with spring and hinge pin, complete
40390	Spring for lid
64114 *	Hinge pin for lid (3/8 in. by 5 1/8 in. r.h.)
56847	Spring cotter for No. 64114 (1/8 in. by 5/8 in.)
140926	Bolt fastening halves of gear case together (1 1/8 in.-7, 5 1/4 in. sq.h. sp'l, drilled for spring cotter)
156415	Nut for No. 140926 (1 1/8 in.-7, hex. st'd)
50218	Lock washer for No. 156415
9823	Spring cotter for No. 140926 (3/16 in. by 2 in.)
147826	Bolt fastening No. 136076 to frame casting (1 1/4 in.-7, 4 7/8 in. hex.h. sp'l)
147809	Nut for No. 147826 (1 1/4 in.-7, sq. rough)
9860	Lock washer for No. 147809
64295	Long bolt fastening No. 136077 to frame casting (1 1/2 in.-6, 6 1/8 in. hex.h. sp'l)
17397	Short bolt fastening No. 136077 to frame casting (1 1/2 in.-6, 4 5/8 in. hex.h. sp'l)
24868	Lock washer for Nos. 64295, 17397
143361	ARMATURE, 3 turns, complete, with thrust collars, without pinion (.129 in. bare, .145 in. E.D.C.C. wire), for 600 volt motor
147827	Armature, 3 turns, complete, with thrust collars, without pinion (.129 in. bare, .145 in. E.D.C.C. wire), for 600 volt motor. Special for Mesaba Railway
143362	Armature, 3 turns, complete, with thrust collar, without pinion (.120 in. bare, .136 in. E.D.C.C. wire), for GE-201-G, 600/1200 volt motor
141126	*Armature coil, 3 turns, .129 in. bare, .145 in. E.D.C.C. wire, for 600 volt motor. Per set of 29
143363	ΔArmature coil, 3 turns (.120 in. bare, .136 in. E.D.C.C. wire), for 600/1200 volt motor. Per set of 33
* 29 coils	in complete set for one armature. Cat.No. is for one coil.
Δ 33 coils	in complete set for one armature. Cat.No. is for one coil.

PARTS OF GE-201, FOR IS E, G, H AND I, 600 VOLT AND FORM G, 600/1200
VOLT MAINLY MOTORS.

Cat. No.	Description
143364	Armature head, commutator end, for No. 143361
147828	Armature head, commutator end, for No. 147827
143365	Armature head, commutator end, for No. 143362
143366	Armature head, pinion end, with air deflector, for No. 143361
147829	Armature head, pinion end, with air deflector, for No. 147827
143367	Armature head, pinion end, with air deflector, for No. 143362
143368	Air deflector with rivets, for Nos. 143366, 147829
143369	Air deflector with rivets, for No. 143367
143373	Key for armature head, commutator end and commutator (3/4 in. by 3/4 in. by 7 5/8 in. square ends)
143374	COMMUTATOR, complete, for 600 volt motor
143375	Commutator, complete, for GE-201-G, 600/1200 volt motor
143376	Shell for No. 143374
143377	Shell for No. 143375
129932	Cap for No. 143374
143378	Cap for No. 143375
129933	Nut with set screw
128728	Set screw for nut (14-24, 1 in. headless, sp'1)
128729	Key for shell (1/4 in. by 1/4 in. by 1 1/4 in. round ends)
141094	Set of copper and mica segments, finished and bound (115 segments), for 600 volt motor
143379	Set of copper and mica segments, finished and bound (131 segments), for GE-201-G, 600/1200 volt motor
129934	Mica collar under segment, for 600 volt motor
143380	Mica collar under segments, for 600/1200 volt motor
129935	Combination inner and outer mica cone for front of commutator, for 600 volt motor
143381	Combination inner and outer mica cone for front of commutator, for 600/1200 volt motor
129936	Combination inner and outer mica cone for back of commutator, for 600 volt motor
143382	Combination inner and outer mica cone for back of commutator, for 600/1200 volt motor
141099	Mica ring back of commutator segments (10.1588 in. by 11 in. by .0625 in. thick), for 600 volt motor
143383	Mica ring back of commutator segments (10 1/4 in. by 10 13/16 in. by .0625 in. thick), for 600/1200 volt motor
143370	Armature nut with set screw, for holding armature head, commutator end and commutator in position
147830	Set screw for No. 143370 (1/4 in.-20, 1 11/16 in. headless, sp'1)
143371	Thrust collar with dowel pin and oil deflector, commutator end)
143372	Thrust collar with dowel pin, pinion end
158566	Oil deflector for No. 143371
142685	Dowel pin for No. 143371 (5/16 in. by 3/4 in.)

PARTS OF GE-201, FOR S, E, G, H AND I, 600 VOLT AND FORM G, 600/1200
VOLT ALTERNATING MOTORS.

Cat. No.	Description
155923	Dowel pin for No. 143372 (3/8 in. by 1 5/16 in.)
143384	Shaft, bare
143385	Key for shaft (3/4 in. by 3/4 in. by 11 5/8 in. square ends)
143386	Key for pinion (7/16 in. by 3/4 in. by 4 5/16 in. round end)
135863	Pinion nut
59396	Lock washer for pinion nut (2 1/2 in. by 4 in. by .0625 in. sq 1)
135864	Complete set of armature core insulations, for 600 volt motor
143387	Complete set of armature core insulations, for GE-201-G, 600/1200 volt motor
135865	Complete set of armature winding insulations, for 600 volt motor
143388	Complete set of armature winding insulations, for GE-201-G, 600/1200 volt motor
135866	Complete set of armature connecting insulations, for 600 volt motor
143389	Complete set of armature connecting insulations, for GE-201-G, 600/1200 volt motor
135867	Complete set of armature binding insulations, for 600 volt motor
143390	Complete set of armature binding insulations, for GE-201-G, 600/1200 volt motor
14571	Binding clip (2 1/2 in. by 1/2 in. by .010 in. tin)
24904	"U" shaped binding clip (developed length 1.016 in. by 5/8 in. by .020 in. tin)
103093	"U" shaped binding clip (developed length 2 1/2 in. by 5/8 in. by .020 in. tin)
	Acme and asbestos tape used in connecting and binding armature (3/4 in. wide), cord for dressing No. 7, Binding wire is .057 in. tinned steel requiring approximately 395 feet