

SECTION 11.

LIST 12.

"WESTINGHOUSE"



REGISTERED

Air Pressure Gauges

WESTINGHOUSE BRAKE (AUSTRALASIA) PTY. LTD.

30 9 49

Westinghouse Brake (Aust)

No. 217072 Dated 27/9/49

WESTINGHOUSE BRAKE (AUSTRALASIA) PTY. LTD.

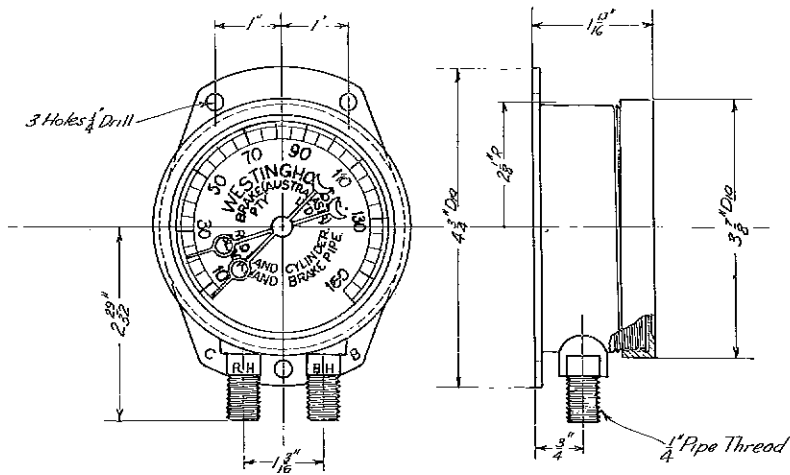
HEAD OFFICE AND WORKS:

CONCORD WEST, N.S.W.

1939.

Air Pressure Gauges

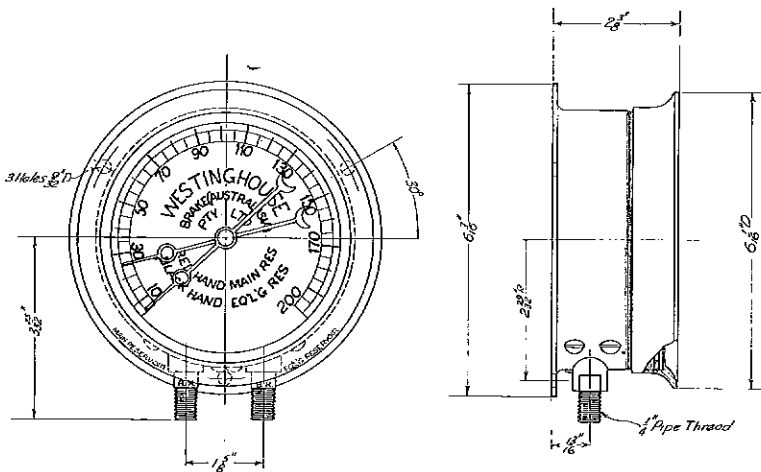
DUPLEX



Piece No.

23338 3 1/2" Duplex Pressure Gauge

f s d



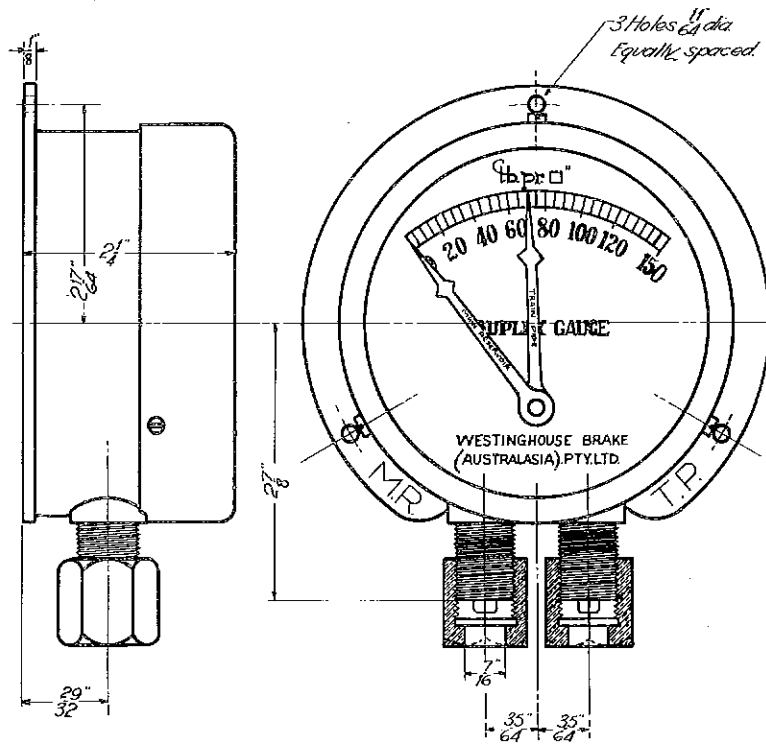
Piece No.

23334 5" Duplex Pressure Gauge

f s d

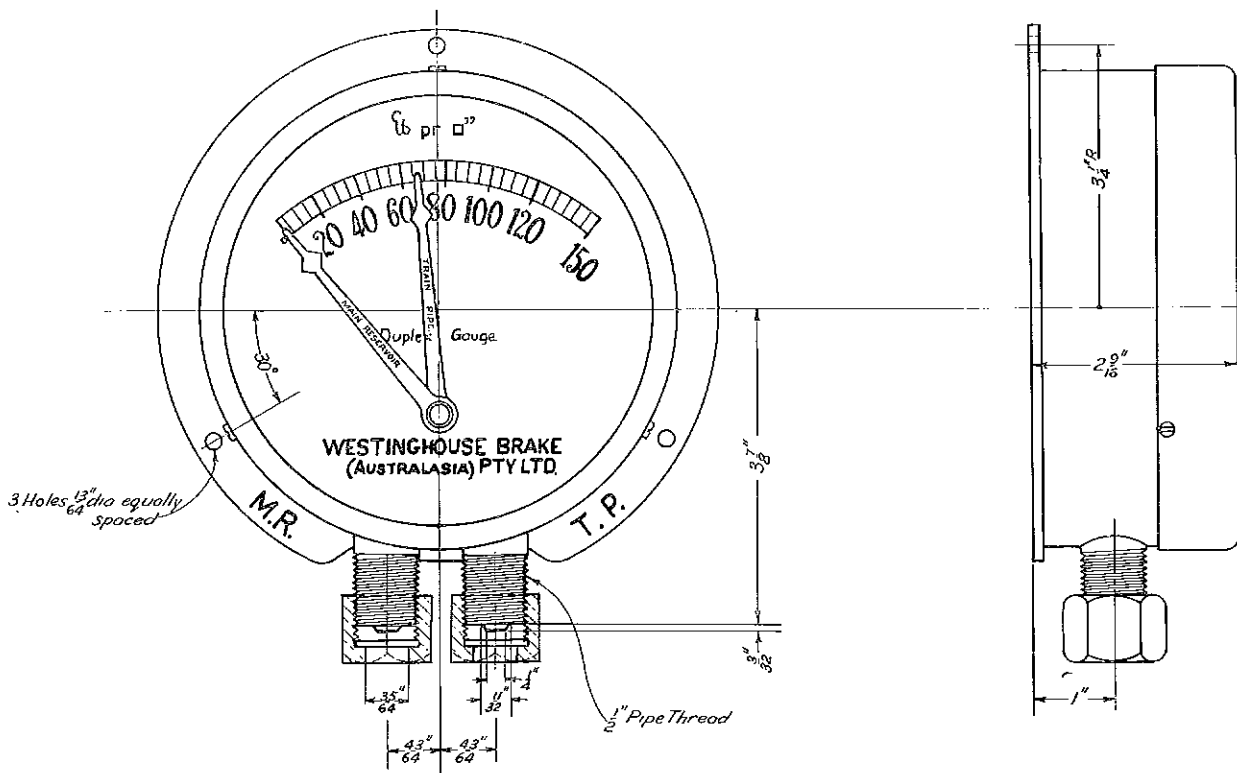
STANDARD FOR USE ON A6-ET and A7-EL BRAKE EQUIPMENT.

DUPLEX



5 s. d.

Piece No.
612 4" Duplex Pressure Gauge

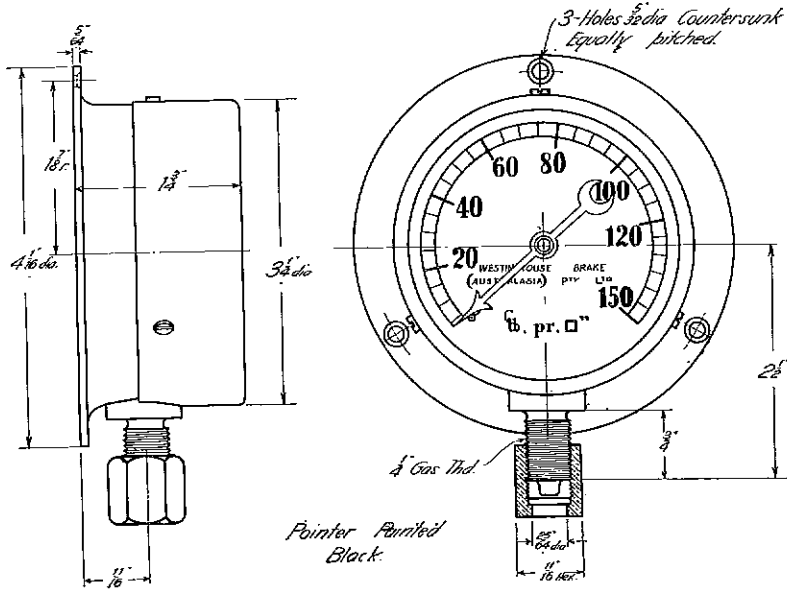


5 s. d.

Piece No.
605 6" Duplex Pressure Gauge

STANDARD FOR USE ON AUTOMATIC and NON-AUTOMATIC
BRAKE EQUIPMENT.

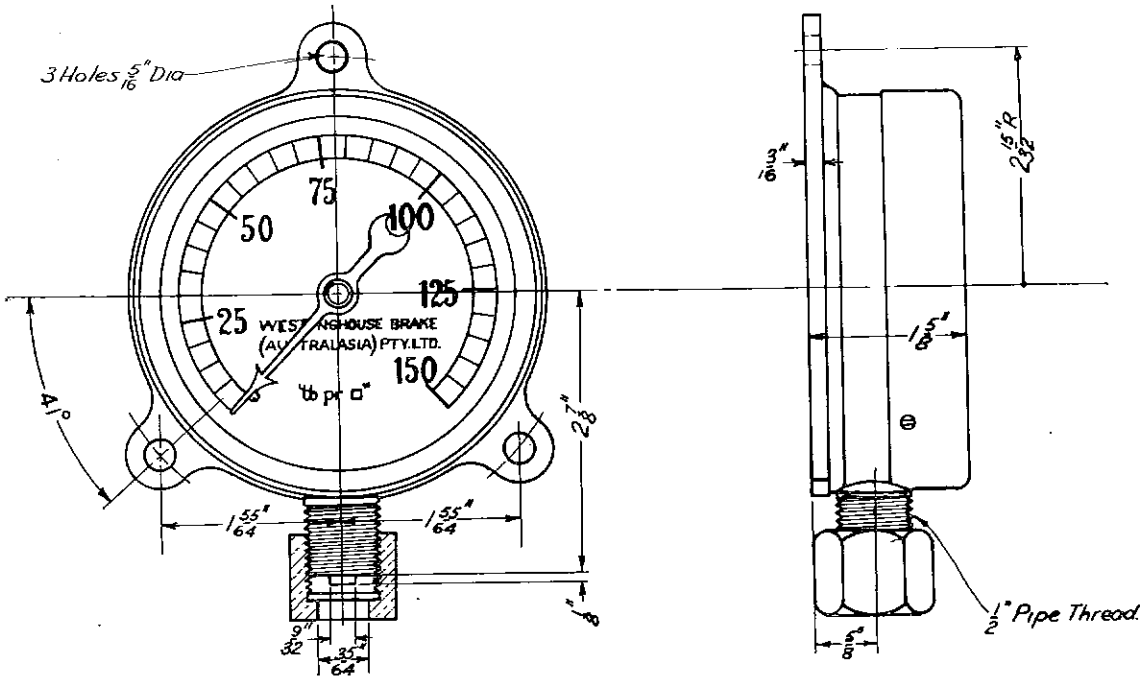
SINGLE POINTER



£ s. d.

Piece No. 614 3" Single Pointer Pressure Gauge

Continental Engineering Co.



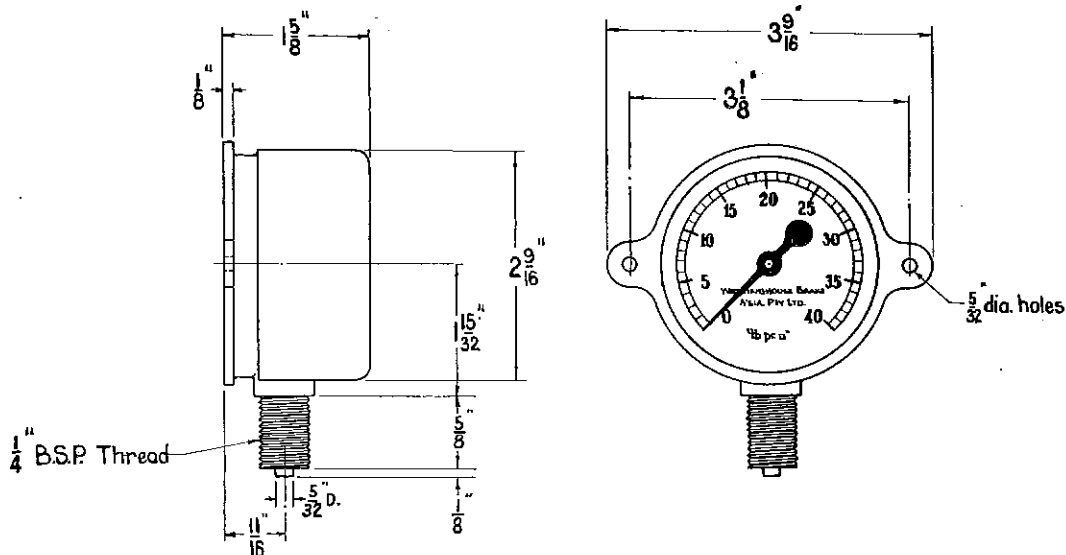
£ s. d.

Piece No. 610 4" Single Pointer Pressure Gauge

STANDARD FOR USE ON AUTOMATIC and NON-AUTOMATIC
BRAKE EQUIPMENT.

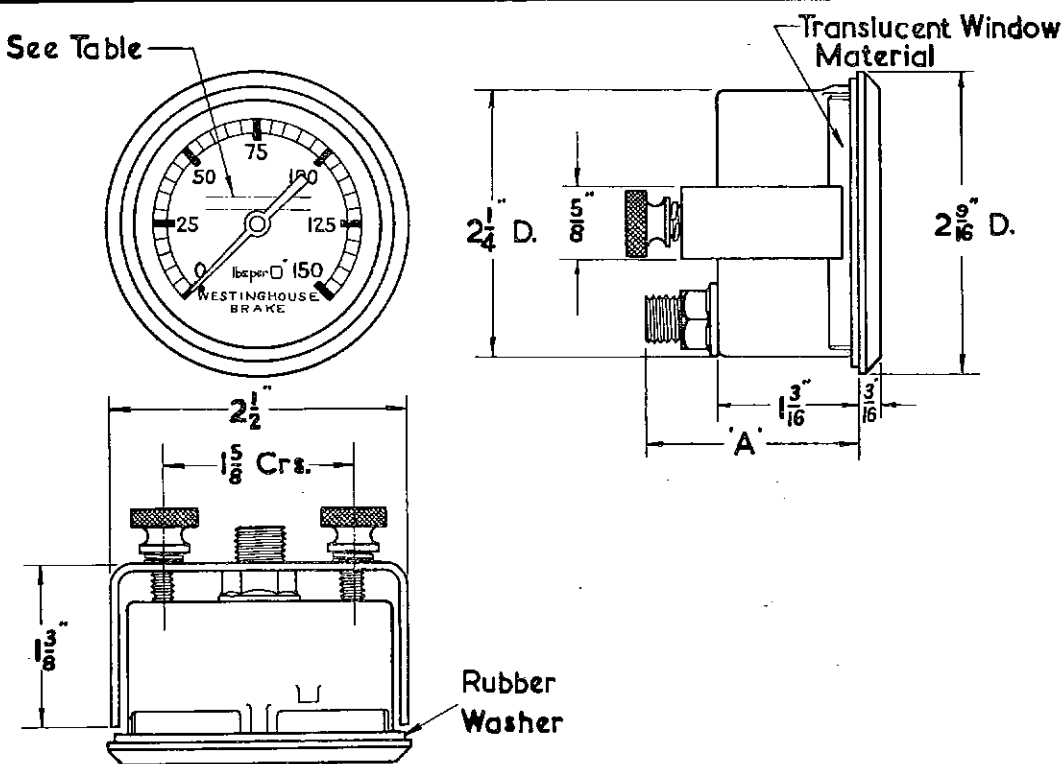
Orders should state PIECE NUMBER.

2 1/2" Pressure Gauges



Piece No. C-5700

Weight 10 ozs.



Piece No.	Dimension A	Thread Size	
A-75472	2 1/8"	1/4" B.S.P.	White Face Black Markings
A-80872/1	1 13/16"	1/8" B.S.P.	Black Face White Markings Marked "Reservoir"

Weight 8 1/2 ozs.

Orders should state **PIECE NUMBER** and **NAME** of Part.
WESTINGHOUSE BRAKE (AUSTRALASIA) PTY. LTD.

Head Office and Works: Concord West, N.S.W.
Postal Address: Box 21, P.O., Burwood, New South Wales.

NATIONAL TRAMWAYS TRUST, ADELAID

30/9/49

Westinghouse Brake (asset)

217072 Dated 27/9/49