

SECTION 11

LIST 9

“WESTINGHOUSE”



REGISTERED

Compression Couplings

WESTINGHOUSE BRAKE (AUSTRALASIA) PTY. LTD.

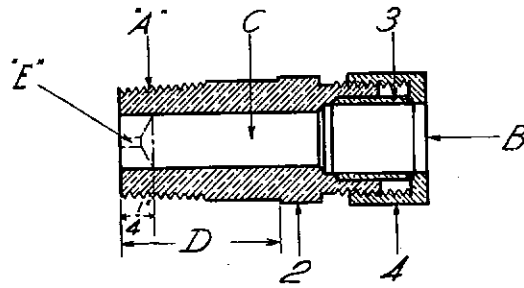
HEAD OFFICE AND WORKS:

CONCORD WEST, N.S.W.

1940

Compression Couplings

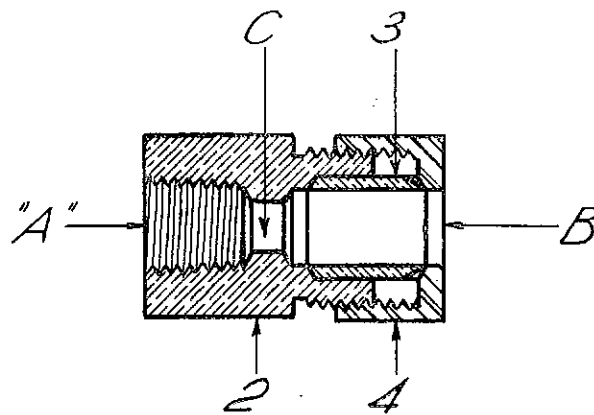
COMPRESSION COUPLING STUDS



f s d.

Complete Pc. No.	Ref. No. 2 Stud Pc. No.	Ref. No. 3 Thimble Pc. No.	Ref. No. 4 Nut Pc. No.	Pipe Thread "A"	Tubing Size "B"	Drill "C"	Dimension "D"	Drill "E"			
C756	C881	C344	C343	1/2"	1 1/8" O.D.	7/16"	1 1/8"				
C754	C837	C341	C500	3/8"	3/8" O.D.	5/16"	1"				
C755	C888	C341	C500	1/2"	3/8" O.D.	5/16"	1 1/8"				
C774	C889	C344	C343	1/4"	1 1/8" O.D.	3/16"	1 1/8"				
C757	C690	C344	C343	3/8"	1 1/8" O.D.	7/16"	1 1/2"				
C981	C499	C341	C500	1/2"	3/8" O.D.	3/4"	7/8"				
C1110	C1111	C341	C500	3/8"	3/8" O.D.	5/16"	1 1/2"				
C1194	C1193	C341	C500	1/2"	3/8" O.D.	5/16"	1 1/8"	1/16"			
C1449	C1448	C341	C500	1/2"	3/8" O.D.	3/4"	7/8"	1/16"			
C1624	C1621	C344	C343	3/8"	1 1/8" O.D.	3/8"	1 1/2"	No. 54			
C1625	C1622	C344	C343	3/8"	1 1/8" O.D.	3/8"	1 1/2"	No. 49			
C1626	C1623	C344	C343	3/8"	1 1/8" O.D.	3/8"	1 1/2"	No. 43			
C1628	C1627	C344	C343	1/2"	1 1/8" O.D.	7/8"	1 1/2"				
C293	C1729	C341	C500	1/4"	3/8" O.D.	1/4"	1 1/4"				
C1755	C1754	C341	C500	3/8"	3/8" O.D.	5/16"	1 1/2"	1/16"			
C2409	C2588	C2586	C2585	1"	3/4" O.D.	3/4"	1 1/8"				
C2420	C2837	C2586	C2585	3/4"	3/4" O.D.	3/8"	1 1/8"				
C3476	C3146	C3145	C3147	3/8"	3/8" O.D.	11/32"	1 1/2"				
C3477	C3475	C3145	C3147	1/2"	3/8" O.D.	7/16"	1 1/2"				
C3572	C3573	C2586	C2585	3/4"	3/4" O.D.	5/8"	1"				
C3963	C3964	C344	C343	3/8"	1 1/8" O.D.	5/16"	1 1/2"				

COMPRESSION COUPLING TAPPED STUDS



f s d.

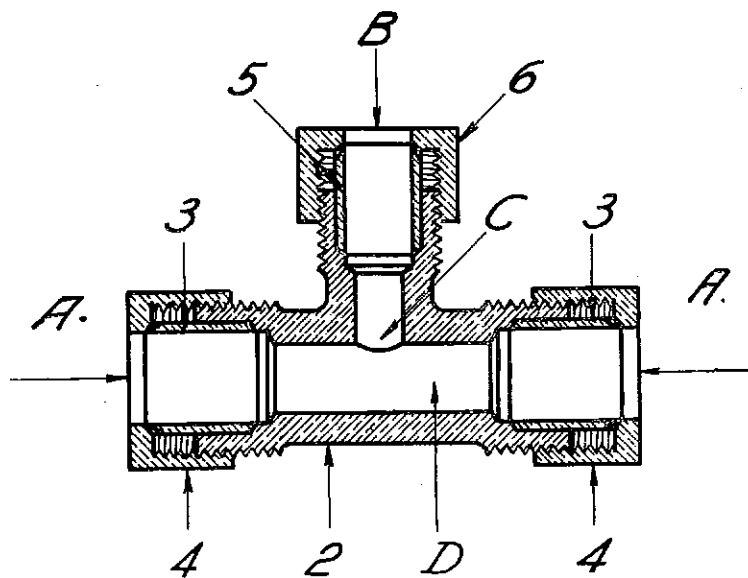
Complete Pc. No.	Ref. No. 2 Stud Pc. No.	Ref. No. 3 Thimble Pc. No.	Ref. No. 4 Nut Pc. No.	Pipe Thread "A"	Tubing Size "B"	Drill "C"			
C761	C707	C341	C500	1/4"	3/8" O.D.	1/4"			
C2126	C2127	C341	C500	1/2"	3/8" O.D.	1/4"			
C2515	C2516	C341	C500	3/8"	3/8" O.D.	1/4"			
C3292	C3293	C2586	C2585	3/4"	3/4" O.D.	3/8"			
C3604	C3603	C344	C343	1/2"	1 1/8" O.D.	7/16"			

Orders should state **PIECE NUMBER** and **NAME** of Part.

Compression Couplings

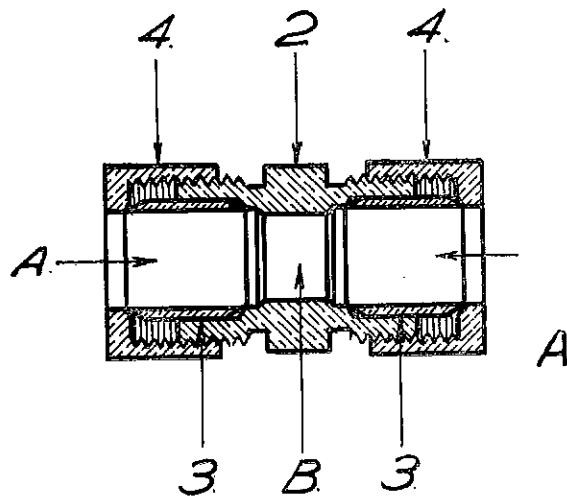
COMPRESSION COUPLING TEES

SECTION 11, LIST 9
COMPRESSION COUPLINGS



Complete Pc. No.	Ref. No. 2 Tee Pc. No.	Ref. No. 3 Thimble Pc. No.	Ref. No. 4 Nut Pc. No.	Ref. No. 5 Thimble Pc. No.	Ref. No. 6 Nut Pc. No.	Tubing Size		Drill "C"	Drill "D"	£	s.	d.
						"A"	"B"					
C759	C878	C344	C343	C343	C343	1 1/2" O.D.	1 1/2" O.D.	7/16"	7/16"			
C758	C879	C344	C343	C341	C500	1 1/2" O.D.	1 1/2" O.D.	7/16"	7/16"			
C760	C880	C341	C500	C341	C500	1 1/2" O.D.	1 1/2" O.D.	7/16"	7/16"			
C2410	C2587	C2586	C2585	C2586	C2585	1 1/2" O.D.	1 1/2" O.D.	7/16"	7/16"			
C2463	{ C2589 C1627	C2586	C2588	C344	C343	1 1/2" O.D.	1 1/2" O.D.	7/16"	7/16"			
C2460	{ C2589 C888	C2586	C2585	C341	C500	7/8" O.D.	3/4" O.D.	5/16"	3/4"			
C2421	C1725	1-C344	1-C343	C341	C500	{ 1/2" Pipe 1/2" O.D.	3/8" O.D.					
C2422	C1753	{ 1-C344 1-C341	{ 1-C343 1-C500			{ 1/2" O.D. 3/8" O.D.	1/2" Pipe					
C2472	C2423	C341	C500	C344	C343	1/2" O.D.	1/2" O.D.					
C2792	C2793	C344	C343	C2586	C2585	1/2" O.D.	1/2" O.D.					
C3123	C3127	C344	C343	C343		1/2" O.D.	3/8" Pipe					
C3899	C3901	C344	C343	C341	C500	{ 1/2" Pipe 1/2" O.D.	3/8" O.D.	5/16"	7/16"			
C4348	{ C2589 C3475	C2586	C2585	C3145	C3147	{ 1/2" Pipe 1/2" O.D.	3/8" O.D.					

COMPRESSION COUPLING UNIONS



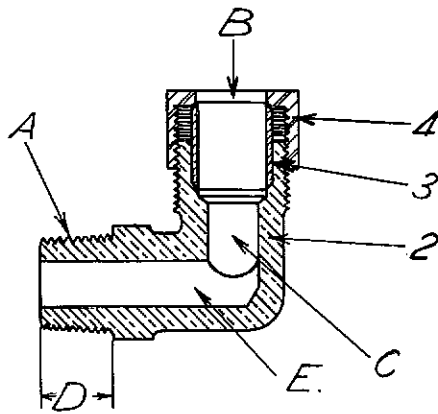
Complete Pc. No.	Ref. No. 2 Union Pc. No.	Ref. No. 3 Thimble Pc. No.	Ref. No. 4 Nut Pc. No.	Tubing Size "A"	Drill "B"	£	s.	d.
C1192	C1191	C341	C500	3/8" O.D.	7/16"			
C2593	C2594	C2586	C2585	3/8" O.D.	3/4"			
C3560	C3535	C3145	C3147	3/8" O.D.				

Orders should state PIECE NUMBER and NAME of Part.

28 16 45
 inghouse Brake (also) Pcy steel
 92182 Dated 21 16 45

Compression Couplings

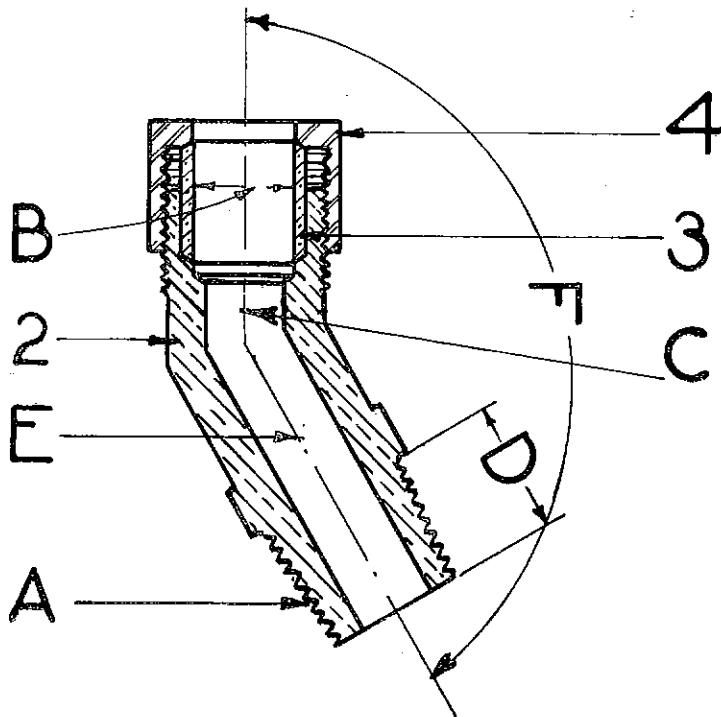
COMPRESSION COUPLING ELBOWS



f s. d.

Complete Pc. No.	Ref. No. 2 Elbow Pc. No.	Ref. No. 3 Thimble Pc. No.	Ref. No. 4 Nut Pc. No.	Pipe Thread "A"	Tubing Size "B"	Drill "C"	Dimension "D"	Drill "E"			
C1748	C1775	C341	C500	$\frac{3}{8}$ "	$\frac{3}{8}$ " O.D.	$\frac{3}{16}$ "	$1\frac{1}{2}$ "	$\frac{1}{4}$ "			
C2794	C2795	C341	C500	$\frac{1}{2}$ "	$\frac{3}{8}$ " O.D.	$\frac{3}{16}$ "	$\frac{5}{8}$ "	$\frac{1}{4}$ "			
C1630	C1180	C344	C343	$\frac{3}{8}$ "	$\frac{1}{2}$ " O.D.	$\frac{3}{8}$ "	$1\frac{1}{2}$ "	$\frac{3}{8}$ "			
C1631	C1629	C344	C343	$\frac{1}{2}$ "	$\frac{1}{2}$ " O.D.	$\frac{3}{8}$ "	$\frac{5}{8}$ "	$\frac{3}{8}$ "			
C4103	C4104	C344	C343	$\frac{3}{8}$ "	$\frac{1}{2}$ " O.D.	$\frac{3}{8}$ "	$1\frac{1}{2}$ "	$\frac{3}{8}$ "			

COMPRESSION COUPLING ANGLE ELBOWS



f s. d.

Complete Pc. No.	Ref. No. 2 Elbow Pc. No.	Ref. No. 3 Thimble Pc. No.	Ref. No. 4 Nut Pc. No.	Pipe Thread "A"	Tubing Size "B"	Drill "C"	Dimension "D"	Drill "E"	Angle "F"			
C3958	C3957	C344	C343	$\frac{1}{2}$ "	$\frac{1}{2}$ " O.D.	$\frac{3}{8}$ "	$\frac{5}{8}$ "	$\frac{3}{8}$ "	150°			
C4026	C4027	C341	C500	$\frac{1}{2}$ "	$\frac{3}{8}$ " O.D.	$\frac{3}{16}$ "	$\frac{5}{8}$ "	$\frac{5}{16}$ "	150°			

Orders should state PIECE NUMBER and NAME of Part,