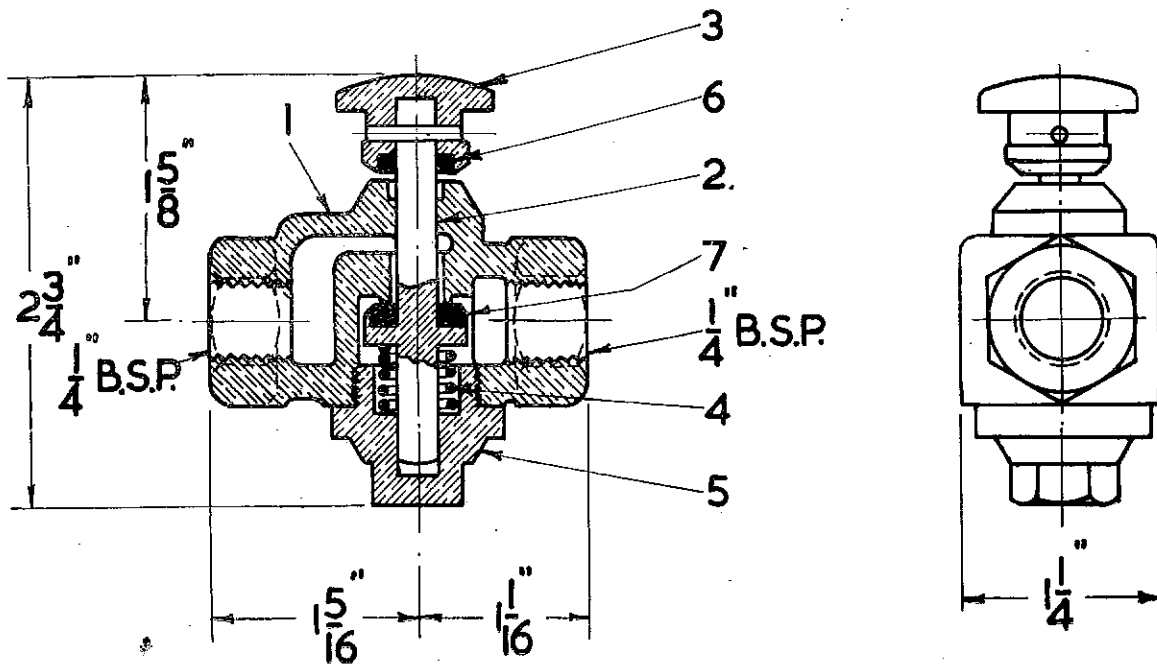


Type 'A' Push Valve

SECTION 12
LIST 2



Complete Piece No. C-30, Weight $\frac{3}{4}$ lb.

Piece No. Ref. No.

C-31	1	Body
C-32	2	Valve
C-33	3	Push Button
1652	4	Spring
C-34	5	Cap
C-35	6	Push Button Seal
C-122	7	Valve Seal

Orders should state **PIECE NUMBER** and **NAME** of Part.
WESTINGHOUSE BRAKE (AUSTRALASIA) PTY. LTD.

Head Office and Works: **CONCORD WEST, N.S.W.**

Postal Address: **Box 21, P.O., Burwood, New South Wales.**

THE NATIONAL TRUSTS TRUST, ADELAIDE

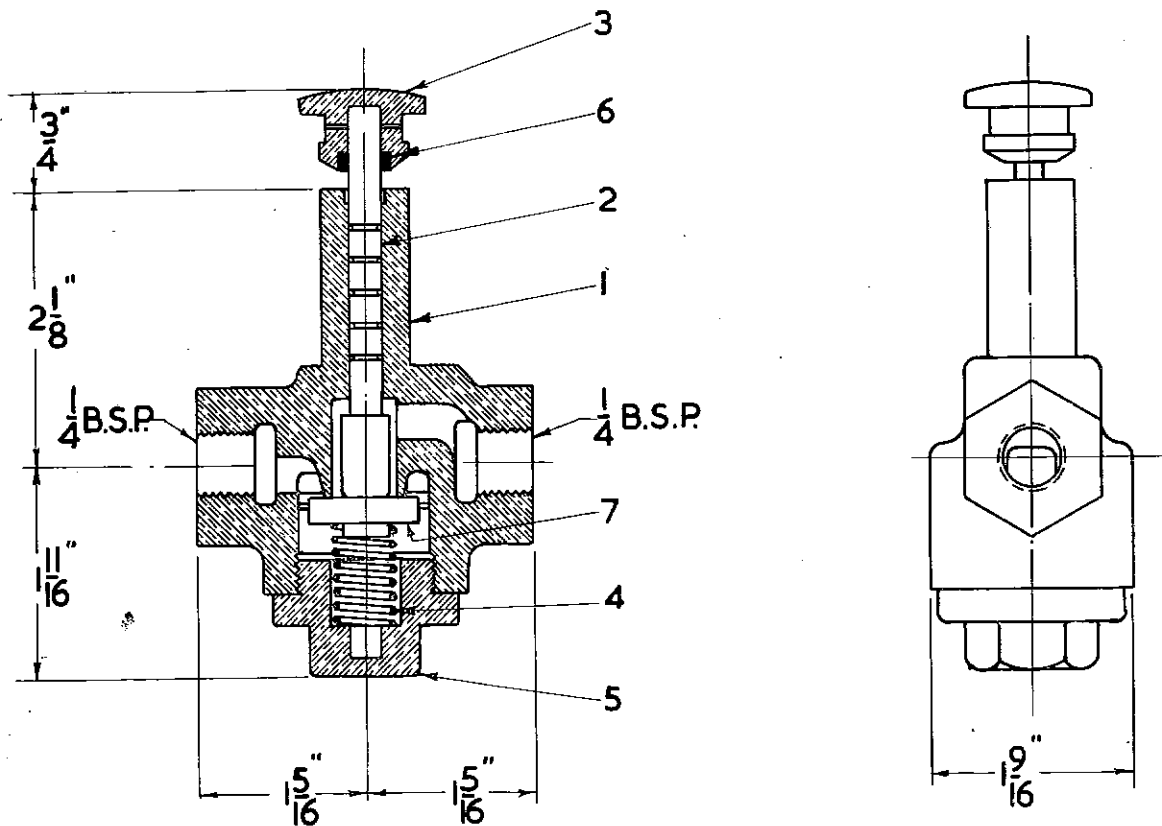
Received at the office 30/9/49

accompanying letter from

Westinghouse Brake (Aust)

No. 217072 Dated 27/9/49

Type "B" Push Valve



Piece No. C-6750, Type "B" Push Valve Complete, Weight 1½ lbs.

Pc. No.	Ref. No.	Description.
C-6745	1	Body.
C-6746	2	Valve Stem.
C-33	3	Push Button.
1214	4	Spring.
C-15	5	Cap.
C-35	6	Push Button Seal.
C-6516	7	Valve.

Orders should state PIECE NUMBER and NAME of Part.

WESTINGHOUSE BRAKE (AUSTRALASIA) PTY. LTD.

Head Office and Works: Concord West, N.S.W.
Postal Address: Box 21, P.O., Burwood, New South Wales.

PUBLIC MUNICIPAL TRAMWAYS TRUST, INC.

General Correspondence Office 30 9 49

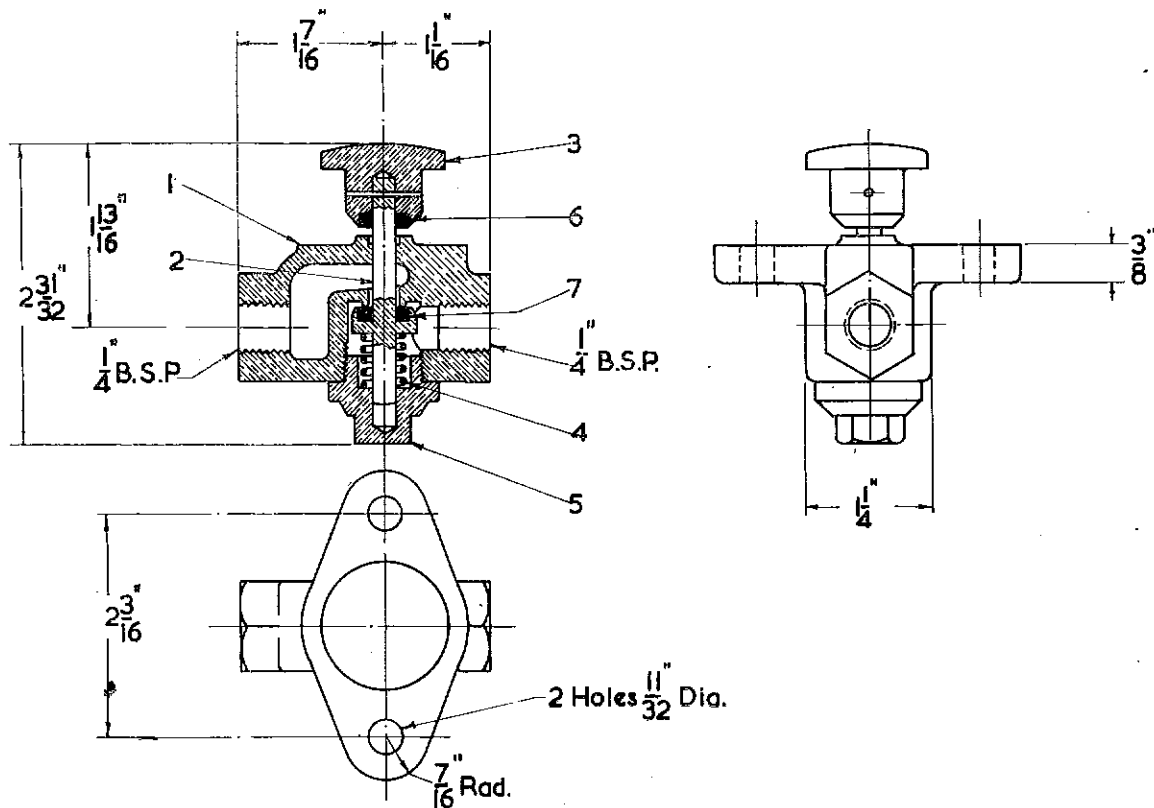
1000 17th Street, N.W.

Westinghouse Brake (Anal)

217072 Dated 20 9 49

Type 'F' Push Valve

SECTION 12
LIST 3



Piece No. C-1750 Type 'F' Push Valve Complete, Weight 1 1/4 lbs.

Piece No. Ref. No.

C-3078	1	Body
C-2222		Valve Complete (includes 2 & 7)
C-32	2	Valve
C-3079	3	Push Button
1652	4	Spring
C-34	5	Cap
C-35	6	Push Button Seal
C-122	7	Valve Seal

Orders should state **PIECE NUMBER** and **NAME** of Part.
WESTINGHOUSE BRAKE (AUSTRALASIA) PTY. LTD.

Head Office and Works: **CONCORD WEST, N.S.W.**

Postal Address: **Box 21, P.O., Burwood, New South Wales.**

THE MUNICIPAL TRUSTEES TRUST, ADELAIDE
Received *Conveyance* on *30 / 9 / 49*
from
Alexington House Pty (Ltd)
No. *217072* Dated *27/9/49*