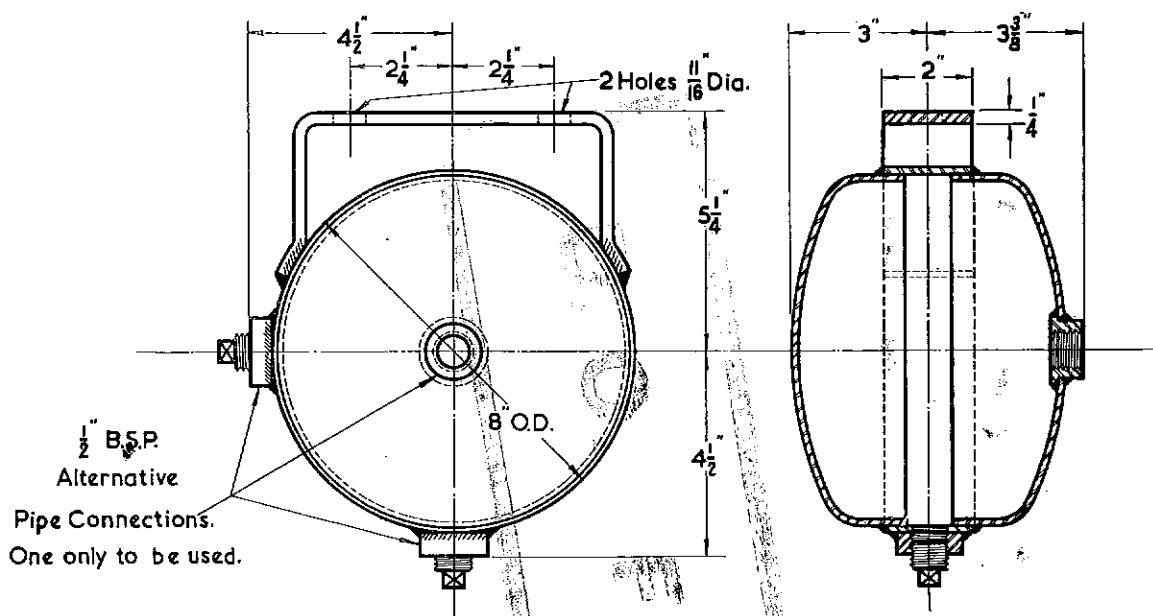


8" x 6" Special Reservoir



Piece No. C-5131

Weight 12 lbs.

The assembly includes two $\frac{1}{2}$ " B.S.P. plugs Piece No. 3332.

This reservoir is normally used as an air chamber on locomotive tenders fitted with Hydrostatic Load Compensating Brake Equipment incorporating the HF Control Valve.

Orders should state PIECE NUMBER and NAME of Part.

WESTINGHOUSE BRAKE (AUSTRALASIA) PTY. LTD.

Head Office and Works: Concord West, N.S.W.

Postal Address: Box 21, P.O., Burwood, New South Wales.

11 11 49
Westinghouse Brake (Aust)
No. 217745 8 11 49