

Air Pressure
Governor and Reducing Valves
for Water Distribution System
on Passenger Cars.

SECTION 9
LIST 1

"WESTINGHOUSE"



REGISTERED

**Air Pressure
Governor and Reducing Valves
for Water Distribution
on Passenger Cars**

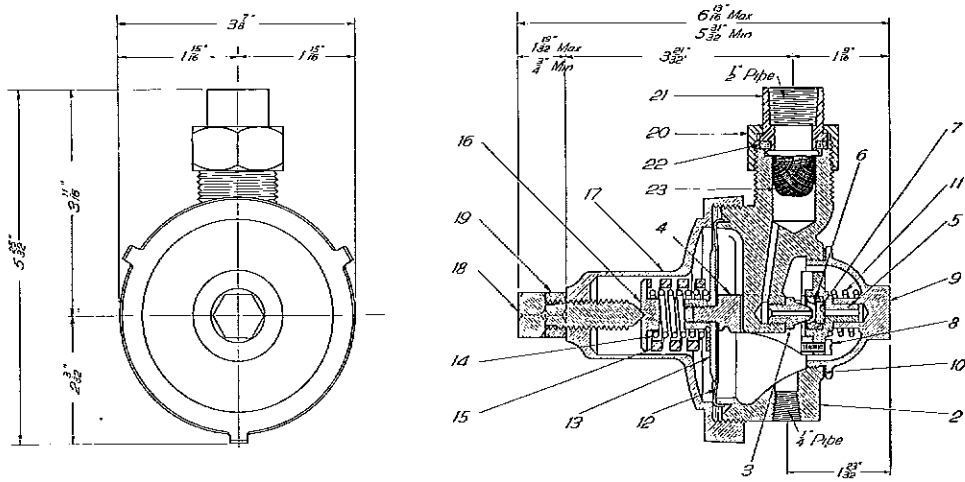
THE WESTINGHOUSE BRAKE CO. OF AUSTRALASIA LTD.

HEAD OFFICE AND WORKS:
CONCORD WEST, N.S.W.

1936.

AIR PRESSURE REDUCING VALVE.

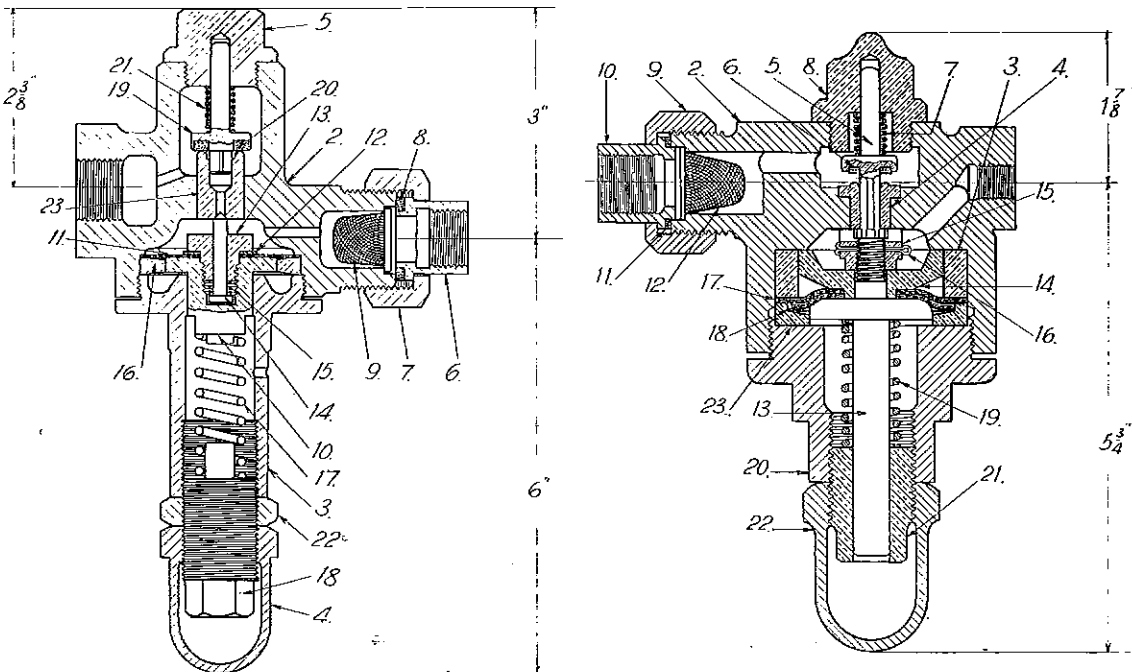
(IMPROVED STYLE)



AIR PRESSURE GOVERNOR VALVE.

AIR PRESSURE REDUCING VALVE.

This Valve has been superseded by Improved Style shown above and is only listed for convenience when ordering spare parts.



AIR PRESSURE REDUCING VALVE

(IMPROVED STYLE)

Piece No. C.567 Air Pressure Reducing Valve complete

Ref. No.	Piece No.	PRICE			Ref. No.	Piece No.	PRICE		
		£	s	d.			£	s	d.
2	Body	C552			12	Diaphragm	C556		
3	Body Bushing	C573			13	Diaphragm Nut	C560		
4	Diaphragm Stem	C568			14	Inside Diaphragm Spring	C576		
5	Diaphragm Valve Guide	C555			15	Outside Diaphragm Spring	C577		
	Diaphragm Valve Seat, complete (includes 6 and 7)	C1118			16	Diaphragm Spring Seat	C558		
6	Seat Retainer	C559			17	Cover	C553		
7	Seat	77947			18	Adjusting Stem	C572		
8	$\frac{3}{16}$ " Cheese Head Screw (4 required)	C580			19	Adjusting Stem Nut	C557		
9	Cap Nut	C562			20	Union Nut	C166		
10	Cap Nut Gasket	C575			21	Union Swivel	C165		
11	Valve Spring	C574			22	Union Gasket	C167		
					23	Strainer	C578		

AIR PRESSURE GOVERNOR VALVE

Piece No. C.311 Air Pressure Governor Valve Complete

Piece No. C.2819 Air Pressure Governor Valve Complete (Special for N.S.W.)

Ref. No.	Piece No.	PRICE			Ref. No.	Piece No.	PRICE		
		£	s	d.			£	s	d.
2	Body (includes 23)	C302			11	Diaphragm (2 required)	1811		
2	Body (includes 23) (Special for N.S.W.)	C2818			12	Diaphragm Washer	1817		
3	Spring Case	C303			13	Diaphragm Nut	1813		
4	Check Nut	C163			14	Diaphragm Valve	C312		
5	Supply Valve Cap	C304			15	Diaphragm Valve Spring	1815		
6	Union Swivel	C165			16	Diaphragm Ring	1816		
7	Union Nut	C166			17	Regulating Spring	C310		
7	Union Nut (Special for N.S.W.)	C2827			18	Regulating Nut	C309		
8	Union Gasket	C167				Supply Valve, complete (includes 19 and 20)	C2006		
9	Strainer	1427			19	Supply Valve	C306		
	Diaphragm, complete (includes 10, 11, 12, 13, 14, and 15)	C2478			20	Supply Valve Seat	C17		
10	Diaphragm Spindle	C308			21	Supply Valve Spring	C180		
					22	Lock Nut	C313		
					23	Supply Valve Bush	C2005		

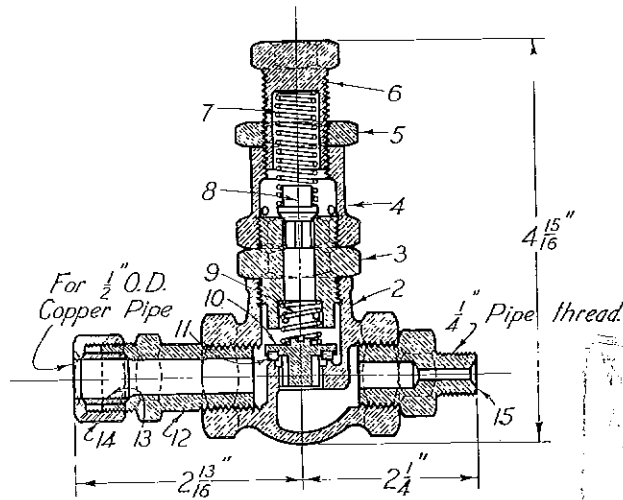
AIR PRESSURE REDUCING VALVE

This Valve has been superseded by Improved Style listed above and is only listed for convenience when ordering Spare Parts.

Piece No. C.160 Air Pressure Reducing Valve Complete.

Ref. No.	Piece No.	PRICE			Ref. No.	Piece No.	PRICE		
		£	s	d.			£	s	d.
2	Body (includes 3 and 4)	C161				Piston, complete (includes 13, 14, 15, 16, 17 and 18)	C1583		
3	Piston Bush	C181			13	Piston Stem	C169		
4	Supply Valve Bush	C182			14	Piston	C172		
	Supply Valve, complete (includes 5 and 6)	C1601			15	Piston Nut	C174		
5	Supply Valve	C178			16	Split Pin	C1025		
6	Supply Valve Seat	C179			17	Large Diaphragm	C171		
7	Supply Valve Spring	C180			18	Small Diaphragm	C170		
8	Supply Valve Cap	C164			19	Regulating Spring	C176		
9	Union Nut	C166			20	Spring Box	C162		
10	Union Swivel	C165			21	Regulating Screw	C177		
11	Union Gasket	C167			22	Check Nut	C163		
12	Strainer	1427			23	Diaphragm Ring	C175		

Orders should state Piece Number and name of Part.

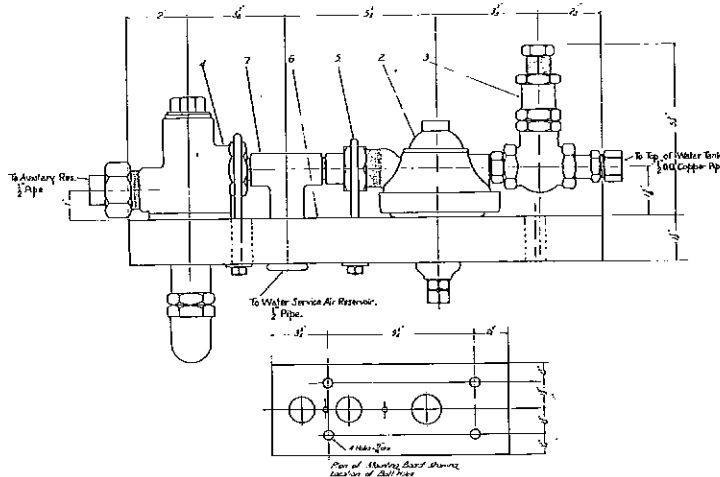


NON RETURN RELIEF VALVE
(N.S.W. GOVT. RAILWAY'S DESIGN)

Piece No. C.2552 Non Return Relief Valve Complete

Westinghouse Brake (Aust)
217746
8 " 49

Ref. No.	Piece No.	PRICE			Ref. No.	Piece No.	PRICE		
		£	s.	d.			£	s.	d.
2	Body	C2544			10	Check Valve	C2539		
3	Centrepiece	C2541			11	Check Valve Seat	C2546		
4	Top Case	C2542				Compression Coupling Union	C756		
5	Lock Nut	C2545				Stud, complete (includes			
6	Adjusting Screw	C2548				12, 13, and 14)			
7	Relief Valve Spring	C2550			12	Stud	C881		
8	Relief Valve	C2540			13	Sleeve	C344		
9	Check Valve Spring	C2549			14	Nut	C343		
	Check Valve, complete (includes 10 and 11)	C2547			15	Nipple	1331		



PASSENGER CAR WATER SERVICE UNIT
(N.S.W. GOVT. RAILWAY'S DESIGN)

Piece No. C.2554 Passenger Car Water Service Unit Complete

Ref. No.	Piece No.	PRICE			Ref. No.	Piece No.	PRICE		
		£	s.	d.			£	s.	d.
2	Air Pressure Reducing Valve (for details see Page 3)	C567			5	Eyebolt, Washer and Nut (2 required)	C3103		
3	Non-Return Relief Valve (for details see list above)	C2552			6	Mounting Board	C2556		
4	Air Pressure Governor Valve (for details see Page 3)	C2819			7	Tee Piece	C2543		

Orders should state Piece Number and name of Part.

Printed in Australia by
Arthur Norwood Limited,
429 Kent Street, Sydney