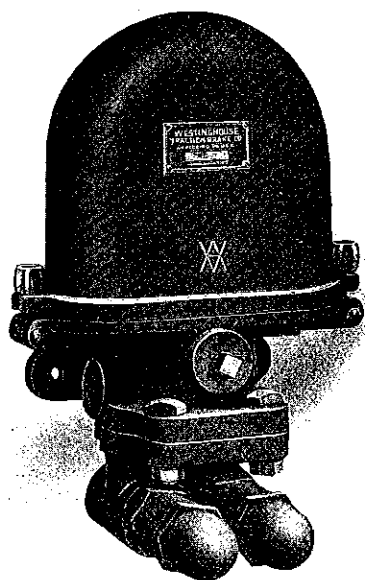


COPYRIGHT, 1915, BY THE

Westinghouse Traction Brake Company



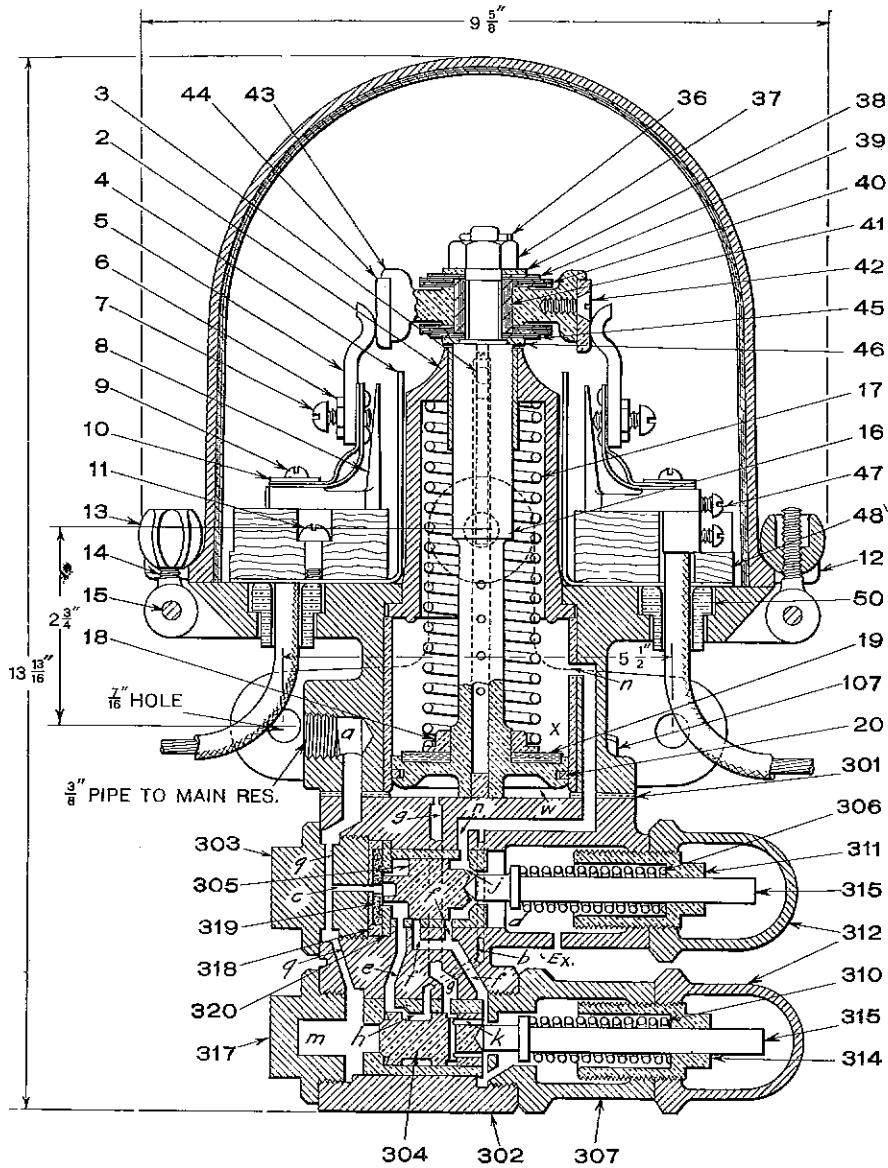
Type S Electric Compressor Governors

Part Catalog No. T 3505-4

October, 1918

(SUPERSEDING ISSUE OF JULY, 1915)

TYPE S-6-B ELECTRIC COMPRESSOR GOVERNOR



Net Weight, 35 lbs.

NOTE—All orders for governors must indicate pressure range, type and size of compressor, kind of current and voltage as well as type and piece number of governor.

TYPE S-6-B ELECTRIC COMPRESSOR GOVERNOR

The S-6-B is a "double safety valve" type of Governor having both cutting-in and cutting-out points adjustable and is designed for automatically controlling the operation of either Direct or Single Phase Alternating Current Motor Driven Air Compressors requiring a current not to exceed 30 amperes, 600 volts. This is the standard governor of this type for a railway service.

Piece No. 51174. Type S-6-B Electric Compressor Governor, complete
*(Range, 55 to 105 lbs.) List Price, \$27.00

Pc. No.	Ref. No.	List Price	Pc. No.	Ref. No.	List Price		
51178	Regulating Portion, complete	\$12.00	10271	39	Piston Rod Fibre Washer . . . \$.01		
31748	Strainer, complete (see Page 8)	1.25	10269	40	Piston Rod Fibre Washer (4 Req'd)	.01	
28274	Switch, complete	15.00	10266	41	Squarc Fibre Bush08	
31725	2	Frame, complete (includes 3, two each of 13, 14, 15 and 50)	6.00	7903	42	Contact Screw (2 Req'd)	.02
16874	3	Guide Pin10	12811	43	Switch Spider, complete (includes two each 42 and 44)	.75
10233	4	Finger Board Insulation (2 Req'd)	.03	10267	44	Switch Spider Contact (2 Req'd)	.10
10268	5	Finger, complete (includes 6 and 7) (2 Req'd)	.60	10270	45	Piston Rod Fibre Washer01
17039	6	Adjusting Screw Jam Nut (2 Req'd)	.02	10275	46	Piston Rod Brass Washer03
11765	7	Finger Adjusting Screw (2 Req'd)	.01	11763	47	Lead Screw (4 Req'd)	.01
10230	8	Finger Base (2 Req'd)	.15	10232	48	Finger Board (2 Req'd)	.20
11764	9	Screw for securing Finger to Finger Base (2 Req'd)	.01	14684	50	Porcelain Bush for Leads (2 Req'd)	.03
10327	10	Finger Clamp (2 Req'd)	.01	1734		3/8" Pipe Plug01
11762	11	Finger Board Screw (4 Req'd)	.01	5198	107	1/2" x 1 1/8" Tee Head Bolt and Nut (4 Req'd)	.03
18619	12	Switch Cover, complete	1.50	10251	301	Gasket	‡
4319	13	Eye Bolt Thumb Nut (2 Req'd)	.05	51189	302	Valve Case	7.50
10323	14	Cover Eye Bolt (2 Req'd)	.20	52009	303	Cut-in Valve Cap40
11640	15	Eye Bolt Rivet (2 Req'd)	.01	51172	304	Cut-out Valve	1.00
11641	16	Switch Piston and Rod, complete (includes 19, 20, 36 and 37)	3.00	52000	305	Cut-in Valve60
†11643	17	Piston Spring15	†52030	306	Cut-in Valve Spring10
10274	18	Piston Spring Seat20	20171	307	Extension Piece40
10273	19	Piston Seal	‡	†52030	310	Cut-out Valve Spring16
18461	20	Switch Ring15	16350	311	Cut-in Regulating Nut25
2958	36	Piston Rod Cotter01	16346	312	Jam Nut (2 Req'd)	.12
2523	37	Piston Rod Nut05	16350	314	Cut-out Regulating Nut25
10276	38	Piston Rod Brass Washer03	28118	315	Spring Stem (2 Req'd)	.20
				32766	317	Cut-out Valve Cap20
				52008	318	Cut-in Valve Seat Retainer20
				52023	319	Cut-in Valve Leather Washer	‡
				52003	320	Cut-in Valve Washer25

*NOTE A—When the S-6-B Governor is used for pressures other than standard (55 to 105 lbs.), orders should so state and specify as follows instead of the corresponding items above:—

FOR PRESSURES BETWEEN 90 AND 140 LBS.

Piece No. 51173. S-6-B Electric Compressor Governor, complete List Price, \$27.00

Pc. No.	Ref. No.	List Price	
51177	Regulating Portion, complete	\$12.00	
†52029	306	Cut-in Valve Spring15
†52029	310	Cut-out Valve Spring15

FOR PRESSURES BETWEEN 35 AND 70 LBS.

Piece No. 52034. S-6-B Electric Compressor Governor, complete List Price, \$27.00

Pc. No.	Ref. No.	List Price	
52035	Regulating Portion, complete	\$12.00	
†52031	306	Cut-in Valve Spring15
†52031	310	Cut-out Valve Spring15

FOR PRESSURES BETWEEN 25 AND 35 LBS.

Piece No. 51175. S-6-B Electric Compressor Governor, complete List Price, \$27.00

Pc. No.	Ref. No.	List Price	
51180	Regulating Portion, complete	\$12.00	
38232	Switch Portion	15.00	
†16881	17	Piston Spring25
†52032	306	Cut-in Valve Spring15
†52032	310	Cut-out Valve Spring15

FOR PRESSURES BETWEEN 15 AND 25 LBS.

Piece No. 58581. S-6-B Electric Compressor Governor, complete List Price, \$27.00

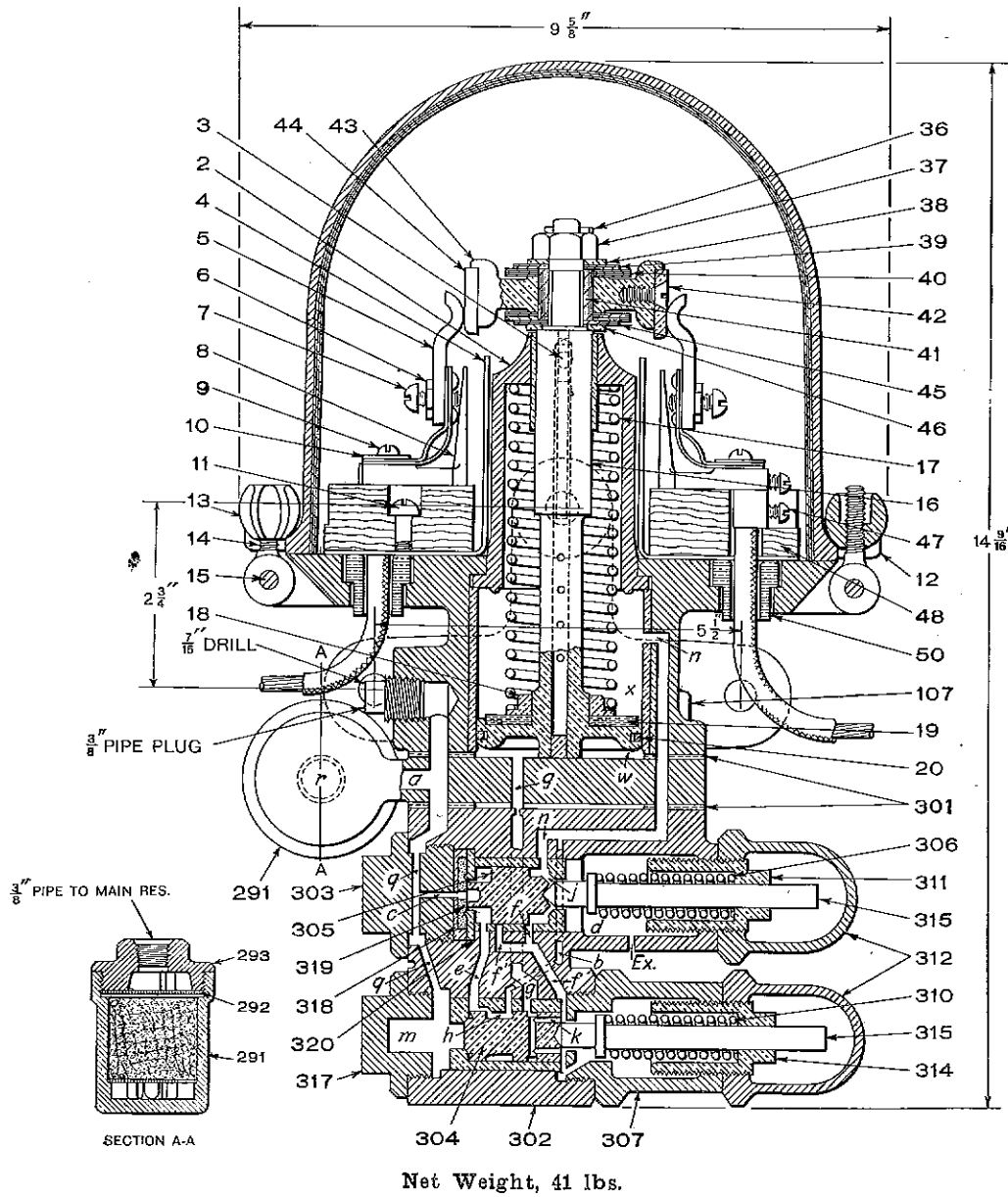
Pc. No.	Ref. No.	List Price	
58582	Regulating Portion, complete	\$12.00	
38232	Switch Portion	15.00	
†16881	17	Piston Spring25
†58577	306	Cut-in Valve Spring15
†58577	310	Cut-out Valve Spring15

†NOTE B—For Spring Identification Table, see Page 8.

†NOTE C—See Part Catalog T 3516-10.

Orders must give PIECE NUMBER and NAME of part wanted.

TYPE S-6-A ELECTRIC COMPRESSOR GOVERNOR



NOTE—All orders for governors must indicate pressure range, type and size of compressor, kind of current and voltage as well as type and piece number of governor.

TYPE S-6-A ELECTRIC COMPRESSOR GOVERNOR

The S-6-A Governor is the same as the S-6-B described on page 3 except that it embodies a strainer filling piece as illustrated on page 4, and is intended for the same service as the S-6-B.

Piece No. 52112. Type S-6-A Electric Compressor Governor, complete

*(Range, 55 to 105 lbs.) List Price, \$28.00

Pc. No.	Ref. No.	List Price	Pc. No.	Ref. No.	List Price
51178		\$12.00	10266	41	Square Fibre Bush \$.08
52114			7903	42	Contact Screw (2 Req'd)02
			12811	43	Switch Spider, complete (in-
					cludes two each 42 and 44)75
28274		2.00	10267	44	Switch Spider Contact (2 Req'd)
31725	2	15.00	10270	45	Piston Rod Fibre Washer01
			10275	46	Piston Rod Brass Washer03
16874	3	.10	11763	47	Lead Screw (4 Req'd)01
10233	4	.03	10232	48	Finger Board (2 Req'd)20
10268	5	.60	14684	50	Porcelain Bush for Leads (2
17039	6	.02			Req'd)03
11765	7	.01	1734		3/8" Pipe Plug01
10230	8	.15	52115	107	1/2" x 2 3/4" Stud and Nut (4
11764	9	.01			Req'd)05
10327	10	.01	53702	291	Strainer Body 1.60
11762	11	.01	1044	292	Perforated Brass Plate for
18619	12	1.50			Strainer (2 Req'd)04
4319	13	.05	3274	293	Cap Nut30
10323	14	.20			1/2 oz. Pulled Curled Hair, per lb.
11640	15	.01	10251	301	Gasket ‡
11641	16	3.00	51189	302	Valve Case 7.50
†11643	17	.15	52009	303	Cut-in Valve Cap40
10274	18	.20	51172	304	Cut-out Valve 1.00
10273	19	‡	52000	305	Cut-in Valve60
18461	20	.15	†52030	306	Cut-in Valve Spring10
2958	36	.01	20171	307	Extension Piece40
2523	37	.05	†52030	310	Cut-out Valve Spring10
10276	38	.03	16350	311	Cut-in Regulating Nut25
10271	39	.01	16346	312	Jam Nut (2 Req'd)12
10269	40	.01	16350	314	Cut-out Regulating Nut25
			28118	315	Spring Stem (2 Req'd)20
			32766	317	Cut-out Valve Cap20
			52008	318	Cut-in Valve Seat Retainer20
			52023	319	Cut-in Valve Leather Washer ‡
			52003	320	Cut-in Valve Washer25

*NOTE A—When the S-6-A Governor is used for pressures other than standard (55 to 105 lbs.), orders should so state and specify as follows instead of the corresponding items above:—

FOR PRESSURES BETWEEN 90 AND 140 LBS.

Piece No. 52780. S-6-A Electric Compressor Governor, complete List Price, \$28.00

Pc. No.	Ref. No.	List Price
51177		\$12.00
†52029	306	Cut-in Valve Spring15
†52029	310	Cut-out Valve Spring15

FOR PRESSURES BETWEEN 35 AND 70 LBS.

Piece No. 52781. S-6-A Electric Compressor Governor, complete List Price, \$28.00

Pc. No.	Ref. No.	List Price
52035		\$12.00
†52031	306	Cut-in Valve Spring15
†52031	310	Cut-out Valve Spring15

FOR PRESSURES BETWEEN 25 AND 35 LBS.

Piece No. 52782. S-6-A Electric Compressor Governor, complete List Price, \$28.00

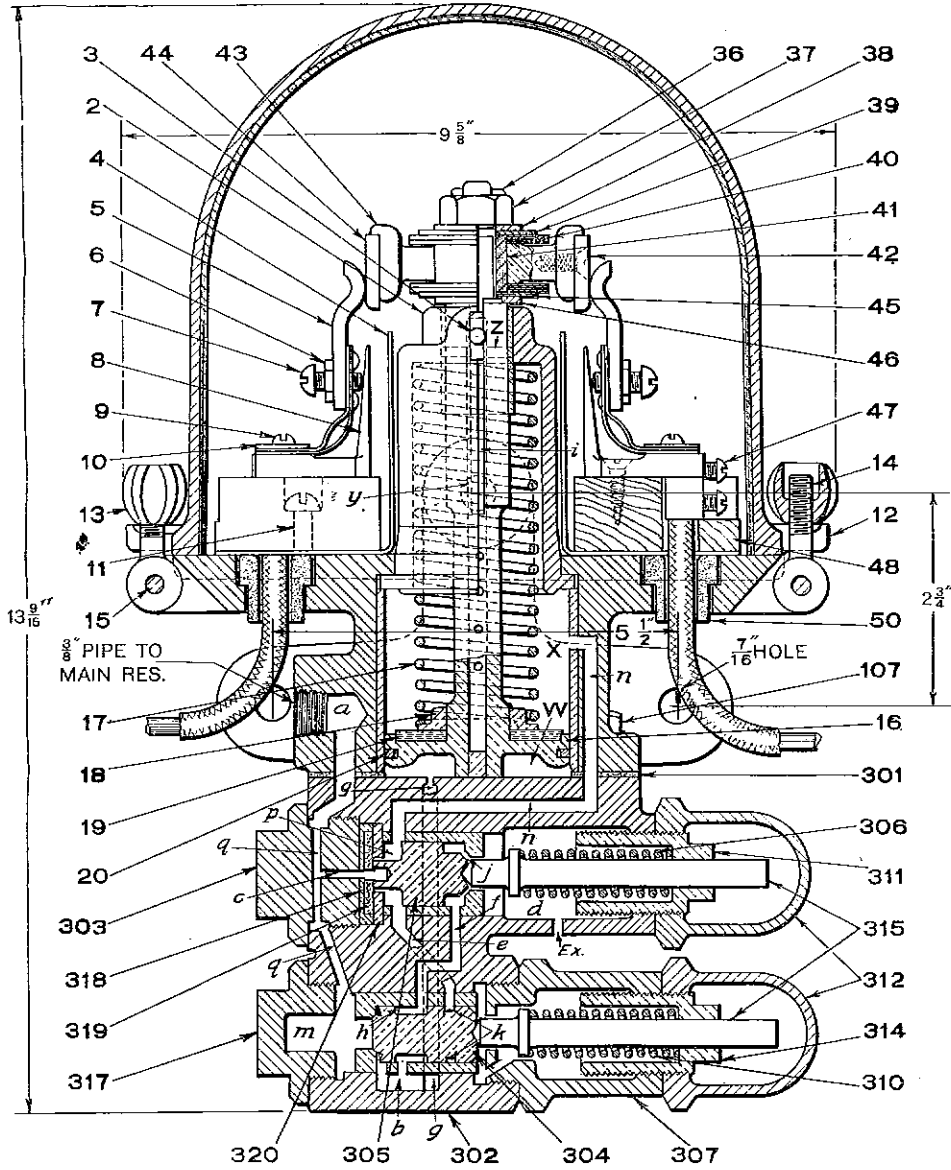
Pc. No.	Ref. No.	List Price
51180		\$12.00
38232		15.00
†16881	17	Piston Spring25
†52032	306	Cut-in Valve Spring15
†52032	310	Cut-out Valve Spring15

†NOTE B—For Spring Identification Table, see Page 8.

‡NOTE C—See Part Catalog T 3516-10.

Orders must give PIECE NUMBER and NAME of part wanted.

TYPE S-6 ELECTRIC COMPRESSOR GOVERNOR



Net Weight, 35 lbs.

NOTE—All orders for governors must indicate pressure range, type and size of compressor, kind of current and voltage as well as type and piece number of governor.

TYPE S-6 ELECTRIC COMPRESSOR GOVERNOR

The S-6 Electric Compressor Governor is no longer furnished, being superseded by the S-6-B and S-6-A, and is listed only for convenience in ordering repair parts.

Piece No. 34428. Type S-6 Electric Compressor Governor, complete
 *(Range, 35 to 100 lbs.) List Price, \$27.00

Pc. No.	Ref. No.	List Price	Pc. No.	Ref. No.	List Price
34429		Regulating Portion, complete . . \$12.00	10269	40	Piston Rod Fibre Washer (4 Req'd) \$.01
31748		Strainer, complete (See Page 8) . . 1.25	10266	41	Square Fibre Bush08
28274		Switch, complete 15.00	7903	42	Contact Screw (2 Req'd)02
31725	2	Frame, complete (includes 3, two each of 13, 14, 15 and 50) . . 6.00	12811	43	Switch Spider, complete (includes two each 42 and 44) . . .75
16874	3	Guide Pin10	10267	44	Switch Spider Contact (2 Req'd) .10
10233	4	Finger Board Insulation (2 Req'd)03	10270	45	Piston Rod Fibre Washer01
10268	5	Finger, complete (includes 6 and 7) (2 Req'd)60	10275	46	Piston Rod Brass Washer03
17039	6	Adjusting Screw Jam Nut (2 Req'd)02	11763	47	Lead Screw (4 Req'd)01
11765	7	Finger Adjusting Screw (2 Req'd) .01	10232	48	Finger Board (2 Req'd)20
10230	8	Finger Base (2 Req'd)15	14684	50	Porcelain Bush for Leads (2 Req'd)03
11764	9	Screw for securing Finger to Finger Base (2 Req'd)01	1734		3/8" Pipe Plug01
10327	10	Finger Clamp (2 Req'd)01	5198	107	1/2" x 1 5/8" Tee Head Bolt and Nut (4 Req'd)03
11762	11	Finger Board Screw (4 Req'd) . . .01	10251	301	Gasket ‡
18619	12	Switch Cover, complete 1.50	32767	302	Valve Case 7.50
4319	13	Eye Bolt Thumb Nut (2 Req'd) . . .05	32764	303	Cut-in Valve Cap40
10323	14	Cover Eye Bolt (2 Req'd)20	32765	304	Cut-out Valve 1.00
11640	15	Eye Bolt Rivet (2 Req'd)01	32763	305	Cut-in Valve60
11641	16	Switch Piston and Rod, complete (includes 19, 20, 36 and 37) . . 3.00	†18414	306	Cut-in Valve Spring10
†11643	17	Piston Spring15	20171	307	Extension Piece40
10274	18	Piston Spring Seat20	†18414	310	Cut-out Valve Spring10
10273	19	Piston Seal ‡	16350	311	Cut-in Regulating Nut25
18461	20	Switch Piston Ring15	16346	312	Jam Nut (2 Req'd)12
2958	36	Piston Rod Cotter01	16350	314	Cut-out Regulating Nut25
2523	37	Piston Rod Nut05	28118	315	Spring Stem (2 Req'd)20
10276	38	Piston Rod Brass Washer03	32766	317	Cut-out Valve Cap20
10271	39	Piston Rod Fibre Washer01	33555	318	Cut-in Valve Seat Retainer . . .20
			33554	319	Cut-in Valve Leather Washer . . ‡
			33553	320	Cut-in Valve Washer25

*NOTE A—When the S-6 Governor is used for pressures other than standard (35 to 100 lbs.), orders should so state and specify as follows instead of the corresponding items above:—

FOR PRESSURES BETWEEN 100 AND 160 LBS.

Piece No. 32639. S-6 Electric Compressor Governor, complete List Price, \$27.00

Pc. No.	Ref. No.	List Price
28269		Regulating Portion, complete \$12.00
† 1498	306	Cut-in Valve Spring10
† 1498	310	Cut-out Valve Spring10

FOR PRESSURES BETWEEN 10 AND 35 LBS.

Piece No. 37746. S-6 Electric Compressor Governor, complete List Price, \$27.00

Pc. No.	Ref. No.	List Price
37745		Regulating Portion, complete \$12.00
38232		Switch Portion 15.00
†16881	17	Piston Spring25
†37697	306	Cut-in Valve Spring25
†37697	310	Cut-out Valve Spring25

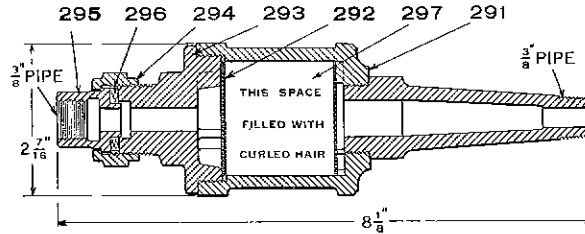
†NOTE B—For Spring Identification Table, see Page 8.

‡NOTE C—See Part Catalog T 3516-10.

Orders must give **PIECE NUMBER** and **NAME** of part wanted.

STRAINER

TYPES S-6-B AND S-6 ELECTRIC COMPRESSOR GOVERNORS



Net Weight, 2 1/4 lbs.

*Piece No. 31748. 3/8" Air Strainer, complete List Price, \$1.25

Pc. No.	Ref. No.		List Price
33863	291	Body and Nipple	\$.75
1044	292	Strainer (2 pieces) each04
31745	293	Cap30
2384	294	3/8" Union Nut05
2385	295	3/8" Union Swivel04
2386	296	3/8" Union Gasket	†
	297	1/2 oz. Curled Hair, per lb.60

SPRING IDENTIFICATION

The following table is shown to enable railway storekeepers and air brake men to identify the springs used in the Type S Governors cataloged herein. This table does not represent a specification for the springs in question and should not be used as such. As a further assistance to storekeepers, the springs are packed in small lots with a tag attached to each lot bearing the proper piece number.



SPRING IDENTIFICATION

Pc. No.	Out. Dia. "A"	Dia. Wire "B"	Free Height "C"	No. Coils	Material	Name of Spring	Where Used
11643	1 1/4"	.148"	7"	17 1/2	Steel	Piston Spring	S-6, S-6-A & S-6-B Gov's.
52030	3/4"	.092"	3 3/4"	19	Nickel Steel	Valve Spring	S-6-A & S-6-B Gov's.
52029	4/8"	.102"	3"	17	Nickel Steel	Valve Spring	S-6-A & S-6-B Gov's.
52032	5/8"	.072"	3 1/4"	21	Nickel Steel	Valve Spring	S-6-A & S-6-B Gov's.
52031	9/8"	.08 "	3 1/2"	19	Nickel Steel	Valve Spring	S-6-A & S-6-B Gov's.
18414	1 1/8"	.08 "	2 1/2"	16 1/2	Nickel Steel	Valve Spring	S-6 Governor
1498	3/4"	.092"	3 1/4"	20	Nickel Steel	Valve Spring	S-6 Governor
16881	1 1/8"	.125"	6 "	15	Steel	Piston Spring	S-6, S-6-A & S-6-B Gov's.
37697	3/4"	.054"	2 7/8"	14	Nickel Steel	Valve Spring	S-6 Governor
58577	5/8"	.625"	2 7/8"	20	Nickel Steel	Valve Spring	S-6-B Governor

*NOTE A—The Air Strainer is considered a standard repair part of the Types S-6-B and S-6 Governors and is regularly installed in the Main Reservoir Connection of the Governor.

†NOTE B—See Part Catalog T 3516-10.

Orders must give PIECE NUMBER and NAME of part wanted.