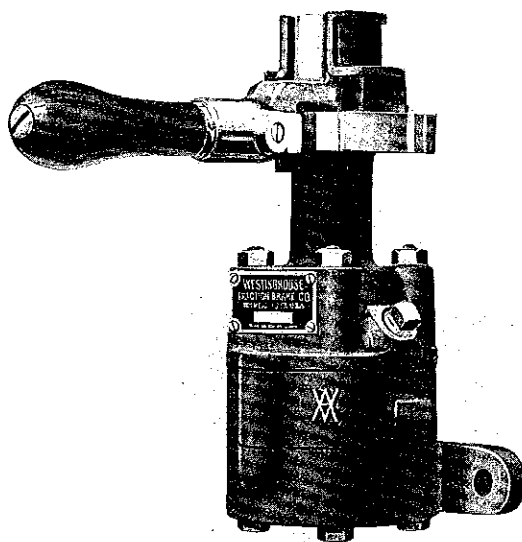


COPYRIGHT, 1925, BY THE

Westinghouse Traction Brake Company

Pittsburgh, Pa., U. S. A.



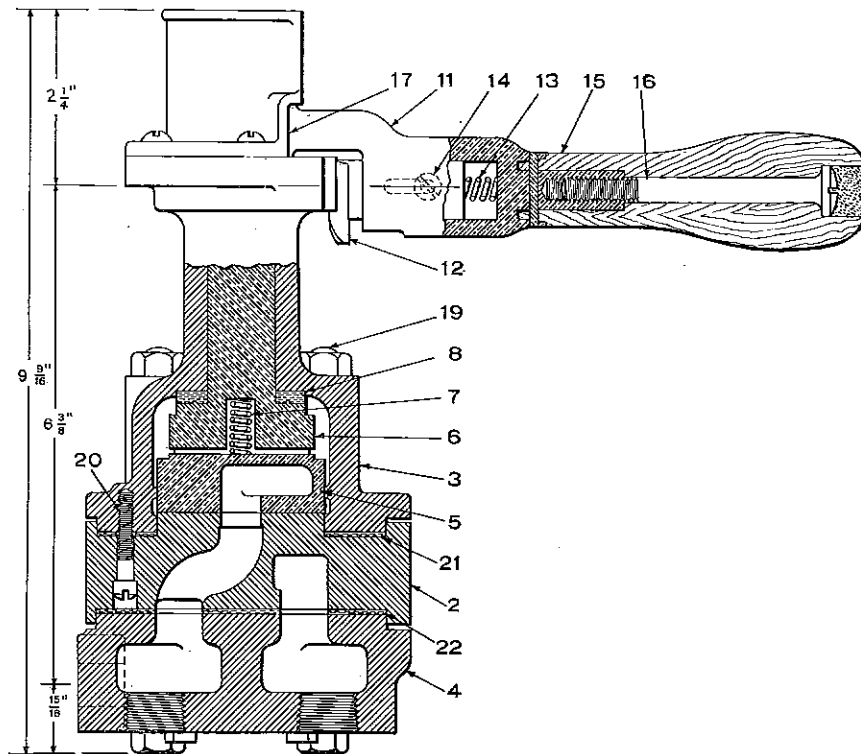
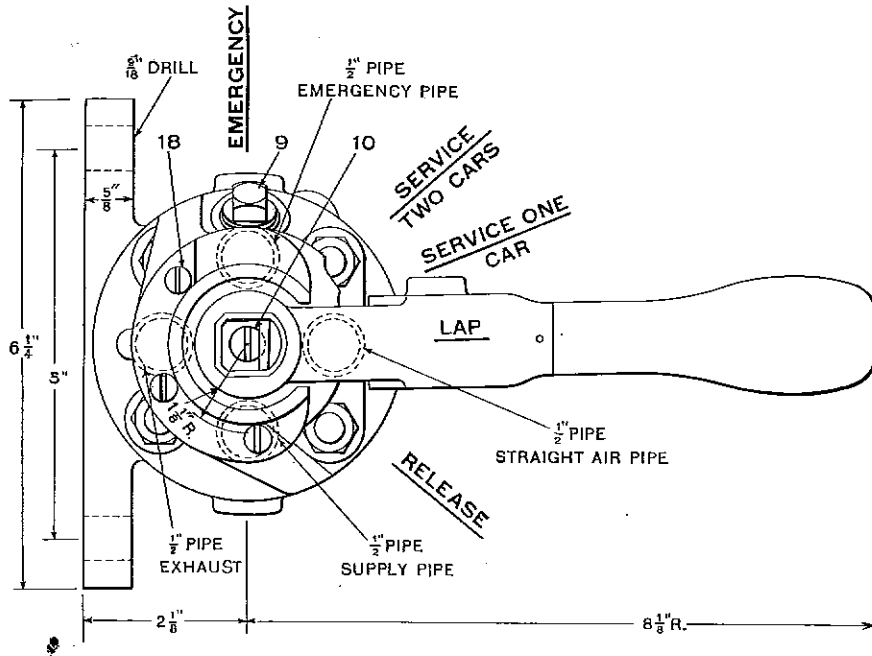
M=20-A and M=20 Brake Valves

Part Catalog No. T 3507-5

May, 1925

(SUPERSEDING ISSUE OF T 3508-3 SUP. 1, AUGUST, 1916)

M-20-A BRAKE VALVE



Net Weight, 17 lbs.

M-20-A BRAKE VALVE

The M-20-A Brake Valve has superseded the M-13-A and M-20 Brake Valves and is regularly supplied, unless otherwise specified, with SME Motor Car Brake Equipments which include the Type A Emergency Valve.

Piece No. 59508. M-20-A Brake Valve with Pipe Bracket and with Brass Handle having Wood Grip, complete

Piece No. 54709. M-20-A Brake Valve with Pipe Bracket, complete, less Handle

Pc. No.	Ref. No.		Pc. No.	Ref. No.	
54618	2	Valve Seat	17897	12	Latch
24274	3	Body (includes 9)	*1367	13	Latch Spring
12373	4	Pipe Bracket	17900	14	Latch Screw
54617	5	Rotary Valve	71031	15	Grip
24275	6	Rotary Valve Key (includes 10)	71034	16	Grip Screw
*13109	7	Rotary Valve Spring	24125	17	Handle Guard
6780	8	Key Washer	17134	18	Round Head Screw
6753	9	Oil Plug	14449	19	Bolt and Nut
22282	10	Oil Screw	14403	20	Fillister Head Screw
72306	11	Brass Handle, complete with Wood Grip (includes 12, 13, 14, 15 and 16)	28677	21	Upper Gasket
			12396	22	Lower Gasket

NOTE A—If M-20-A Brake Valve with Malleable Iron Handle having Wood Grip and with Latch Pin is desired orders should so state and specify as follows:

Piece No. 54710. M-20-A Brake Valve, with Pipe Bracket and with Malleable Iron Handle having Wood Grip and Latch Pin, complete

Pc. No.	Ref. No.	
54708	11	Malleable Iron Handle, complete, with Wood Grip (includes 12, 13, 15 and 16)
54707	12	Latch
17898	15	Handle Grip
17899	16	Handle Grip Screw

NOTE B—If M-20 Brake Valve with Brass Handle having Wood Grip, or if repair parts therefor are desired, substitute the following for corresponding items in above list:

Piece No. 24272. M-20 Brake Valve with Pipe Bracket and with Brass Handle having Wood Grip, complete

Piece No. 24273. M-20 Brake Valve with Pipe Bracket, complete, less Handle

Pc. No.	Ref. No.	
15474	2	Valve Seat
15476	5	Rotary Valve

NOTE C—If M-20 Brake Valve having Sand Port and with Brass Handle having Wood Grip, or if repair parts therefor are desired, substitute the following for corresponding items in above list:

Piece No. 50080. M-20 Brake Valve having Sand Port with Pipe Bracket and with Brass Handle having Wood Grip, complete

Piece No. 42218. M-20 Brake Valve having Sand Port and with Pipe Bracket, complete, less Handle

Pc. No.	Ref. No.	
34319	2	Valve Seat
34318	4	Pipe Bracket
15476	5	Rotary Valve
34320	22	Lower Gasket

NOTE D—If M-20 Brake Valve with Malleable Iron Handle having Wood Grip and with Latch Pin, or if repair parts therefor are desired, substitute the following for corresponding items in above list:

Piece No. 47943. M-20 Brake Valve with Pipe Bracket and with Malleable Iron Handle having Wood Grip and with Latch Pin, complete

Pc. No.	Ref. No.	
15475	2	Valve Seat
15476	5	Rotary Valve
54708	11	Malleable Iron Handle, complete, with Wood Grip (includes 12, 13, 15 and 16)
54707	12	Latch
17898	15	Handle Grip
17899	16	Handle Grip Screw

NOTE E—If repair Bush for either Brass or Malleable Iron Handle is desired, specify as follows:

Piece No. 44906. Repair Bush for Handle

Piece No. 57358. Pin for Repair Bush

*NOTE F—The following table is shown to enable railway storekeepers and air brake men to identify the various springs used in the M-20 and M-20-A Brake Valve cataloged herein. This table does not represent a specification for the springs in question and should not be used as such. As a further assistance to storekeepers, the springs are packed in small lots with a tag attached to each lot bearing the proper piece number.



SPRING IDENTIFICATION

Pc. No.	Out. Dia. "A"	Dia. Wire "B"	Free Height "C"	No. Coils	Material	Name of Spring	Where Used
1367	1 1/2"	.057"	1 3/4"	16	Steel	Latch Spring	M-20 and M-20-A Brake Valves
13109	1 1/2"	.057"	1 1/8"	9 1/2	Steel	Rotary Valve Spring	M-20 and M-20-A Brake Valves

Prices will be quoted upon application.

Orders must give PIECE NUMBER and NAME of part wanted.

Westinghouse Traction Brake Company

Pittsburgh, Pa., U. S. A.

WORKS AT WILMERDING, PA.

OFFICES:

ATLANTA	- - - - -	Candler Building
BOSTON	- - - - -	Monks Building
CHICAGO	- - - - -	Railway Exchange Building
COLUMBUS	- - - - -	Yuster Building
DENVER	- - - - -	Ideal Building
HOUSTON, TEX.	- - - - -	Bankers Mortgage Building
LOS ANGELES	- - - - -	Pacific Electric Building
MEXICO CITY, MEXICO	- - - - -	4a Puente de Alvarado, No. 100
NEW YORK	- - - - -	150 Broadway
ST. LOUIS	- - - - -	Broadway and Tyler Street
ST. PAUL	- - - - -	Endicott Building
SALT LAKE CITY	- - - - -	McIntyre Building
SAN FRANCISCO	- - - - -	Matson Building
SEATTLE	- - - - -	Securities Building
TOKYO, JAPAN	- - - - -	864 Marunouchi Building, Kojimachi-ku
TOPEKA	- - - - -	Columbian Building
WASHINGTON, D. C.	- - - - -	Munsey Building

THE MUNICIPAL TRAMWAYS TRUST, ADELAIDE
 Received Correspondence office of 121 St.
 accompanying letter from
Westinghouse Brake
 No. 14 130 D. Dated 29/11/26



ASSOCIATED COMPANIES:

WESTINGHOUSE AIR BRAKE COMPANY,
Pittsburgh, Pa.

THE AMERICAN BRAKE COMPANY,
St. Louis, Mo.

THE WESTINGHOUSE BRAKE & SAXBY SIGNAL
COMPANY, LTD.,
London, England.

WESTINGHOUSE PACIFIC COAST BRAKE
COMPANY,
Emeryville, Calif.

WESTINGHOUSE BRAKE COMPANY OF
AUSTRALASIA, LTD.,
Concord West, New South Wales, Australia.

CANADIAN WESTINGHOUSE COMPANY, LTD.,
Hamilton, Ontario, Canada.

SOCIÉTÉ ANONYME WESTINGHOUSE,
Petrograd, Russia.

COMPAGNIE DES FREINS WESTINGHOUSE,
Sevran, France.

COMPAGNIA ITALIANA WESTINGHOUSE
DEI FRENI,
Turin, Italy.