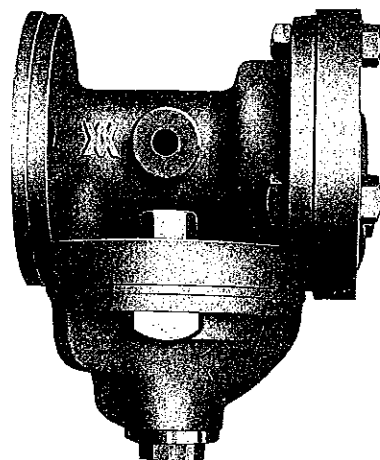


COPYRIGHT, 1917, BY THE

Westinghouse Traction Brake Company.



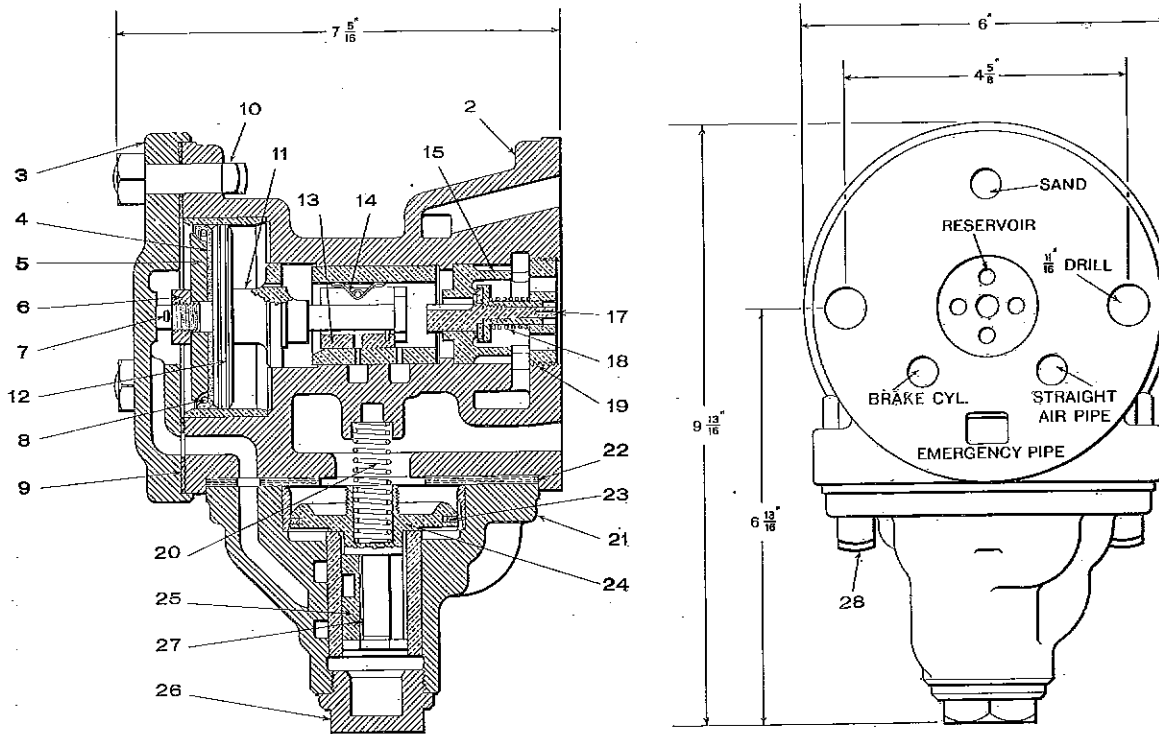
Emergency Valves.

Part Catalog No. T 3511-1.

July, 1917.

(SUPERSEDING ISSUE OF DECEMBER, 1910.)

TYPE D-1 EMERGENCY VALVE.



Net Weight, 33 lbs.

The Type D-1 Emergency Valve is regularly supplied as standard for use with the SME Straight Air Brake Equipment with Emergency Feature.

Piece No. 50325. D-1 Emergency Valve, complete.Price, \$25.00

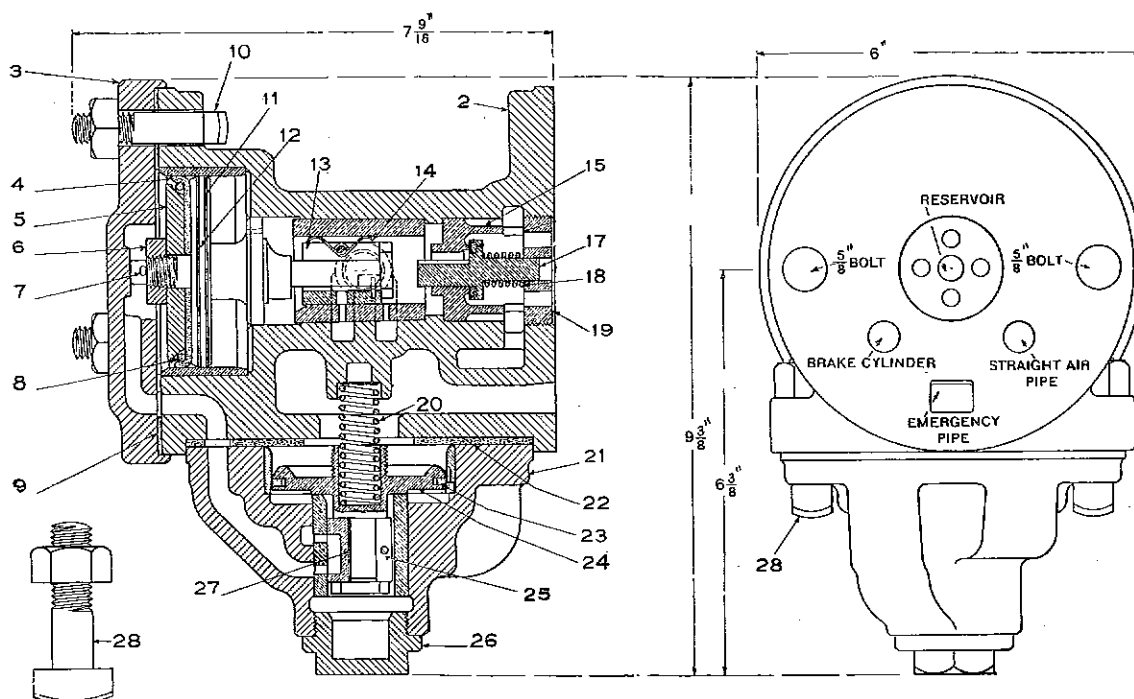
Pc. No.	Ref. No.		Price
46772	2	Body, bushed	\$9.00
17322	3	Cylinder Cap75
17553	4	Packing Leather20
17552	5	Piston Follower25
17155	6	Equalizing Piston Nut12
2958	7	Equalizing Piston Cotter01
6808	8	Packing Leather Expander15
17323	9	Cylinder Cap Gasket10
4879	10	Bolt and Nut for Cylinder Cap03
17556	11	Equalizing Piston, complete (includes 6, 7 and 12)	3.00
10030	12	Equalizing Piston Ring25
17781	13	Exhaust Slide Valve, complete75
17321	14	Exhaust Slide Valve Spring06
17318	15	Check Valve Cage75
64324	17	Check Valve, complete60
*17320	18	Check Valve Spring02
17315	19	Check Valve Cage Nut30
* 1523	20	Emergency Piston Spring05
46776	21	Emergency Valve Case, bushed	6.00
47118	22	Emergency Valve Case Gasket40
18033	23	Emergency Piston Ring25
50324	24	Emergency Piston, complete	3.00
46739	25	Emergency Slide Valve75
17288	26	Emergency Valve Case Cap Nut25
47350	27	Emergency Slide Valve Spring03
10846	28	Bolt and Nut for Emergency Valve Case10
12094	†	Emergency Valve Gasket20

*NOTE A—For Spring Identification Table, see Page 4.

†NOTE B—Listed for convenience only. Not included in D-1 Emergency Valve.

Orders must give PIECE NUMBER and NAME of part wanted.

TYPE D EMERGENCY VALVE.



Net Weight, 33 lbs.

The Type D Emergency Valve has been superseded by the D-1 Emergency Valve and is listed only for convenience in ordering repair parts.

Piece No. 17555. D Emergency Valve, complete. Price, \$25.00

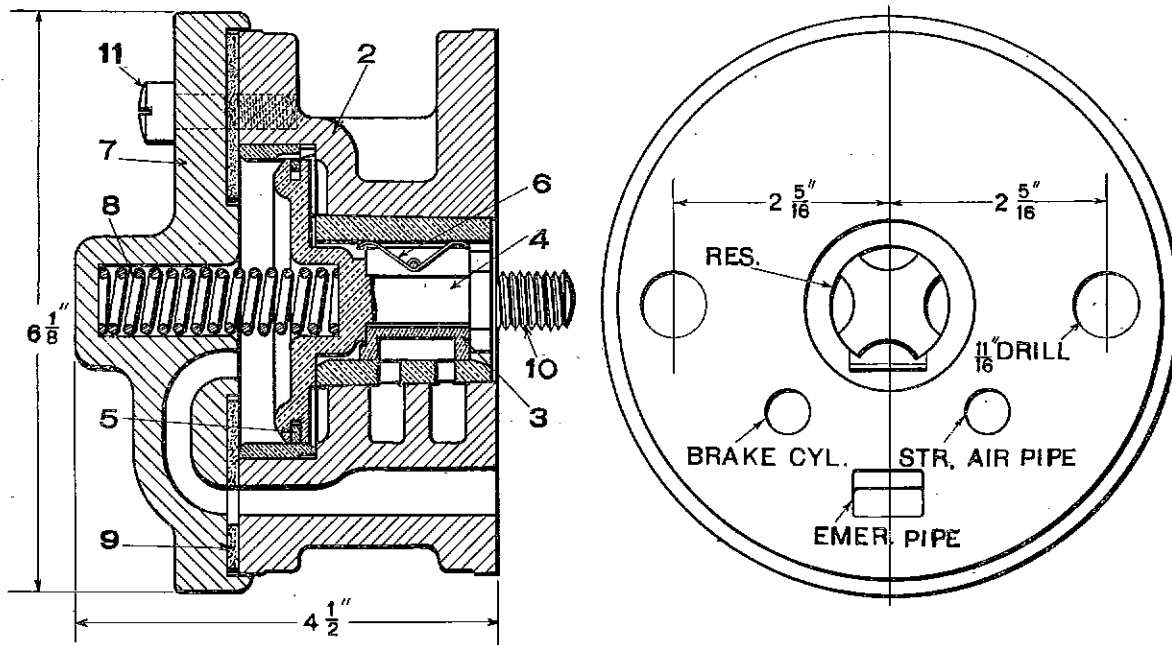
Pc. No.	Ref. No.		Price
17460	2	Body, bushed	\$9.00
17322	3	Cylinder Cap75
17553	4	Packing Leather20
17552	5	Piston Follower25
17155	6	Equalizing Piston Nut12
2958	7	Equalizing Piston Cotter01
6808	8	Packing Leather Expander15
17323	9	Cylinder Cap Gasket10
4879	10	Bolt and Nut (for Cylinder Cap)03
17556	11	Equalizing Piston (includes 6, 7 and 12)	3.00
10030	12	Equalizing Piston Ring25
17781	13	Exhaust Valve, complete75
17321	14	Exhaust Valve Spring06
17318	15	Check Valve Cage75
35202	17	Check Valve, complete with Tin Seat30
*17320	18	Check Valve Spring02
17315	19	Check Valve Cage Nut30
* 1523	20	Emergency Piston Spring05
17290	21	Emergency Valve Case, bushed	4.00
17317	22	Emergency Valve Case Gasket40
18033	23	Emergency Piston Ring25
17559	24	Emergency Piston (includes 23)	3.00
17313	25	Emergency Valve75
17288	26	Cap Nut for Emergency Valve25
17560	27	Emergency Valve Spring05
6612	28	Bolt and Nut (for Emergency Valve Case)05
8415	†	Emergency Valve Gasket20

*NOTE A—For Spring Identification Table, see Page 4.

†NOTE B—Listed for convenience only. Not included in D Emergency Valve.

Orders must give PIECE NUMBER and NAME of part wanted.

TYPE A-1 EMERGENCY VALVE.



Net Weight, 16½ lbs.

The Type A-1 Emergency Valve was formerly used with the SME Straight Air Brake Equipment with Emergency Feature for either Motor or Trailer Cars and any size of Brake Cylinder. It has been superseded as standard for use with the SME Equipment by the Type D-1 Emergency Valve.

Piece No. 10932. A-1 Emergency Valve, complete Price, \$15.00

Pc. No.	Ref. No.		Price
10941	2	Body, bushed	\$9.00
10894	3	Slide Valve75
12896	4	Piston (includes 5)	3.00
10030	5	Piston Ring25
8935	6	Slide Valve Spring03
10896	7	Cylinder Cap	1.00
*10923	8	Piston Spring15
10924	9	Cylinder Cap Gasket40
12897	10	Stud and Nut10
12898	11	Fillister Head Screw05
8415	†	Emergency Valve Gasket20

*NOTE A—The following table is shown to enable railway storekeepers and air brake men to identify the springs used in the Emergency Valves cataloged herein. This table does not represent a specification for the springs in question and should not be used as such. As a further assistance to storekeepers, the springs are packed in small lots with a tag attached to each lot bearing the proper piece number.



SPRING IDENTIFICATION.

Pc. No.	Out. Dia. "A"	Dia. Wire "B"	Free Height "C"	No. Coils	Material	Name of Spring	Where Used
1523	1 1/2"	.08	2 1/8"	14	Nickel Plated	Emergency Piston	D and D-1 Emerg. Valves
10923	3 3/8"	.106	3 3/8"	15	" "	Piston Spring	A-1 Emergency Valve
17320	3 3/8"	3/8"	7/8"	6	Brass	Check Valve	D and D-1 Emerg. Valves

†NOTE B—Listed for convenience only. Not included in A-1 Emergency Valve.

Orders must give PIECE NUMBER and NAME of part wanted.