

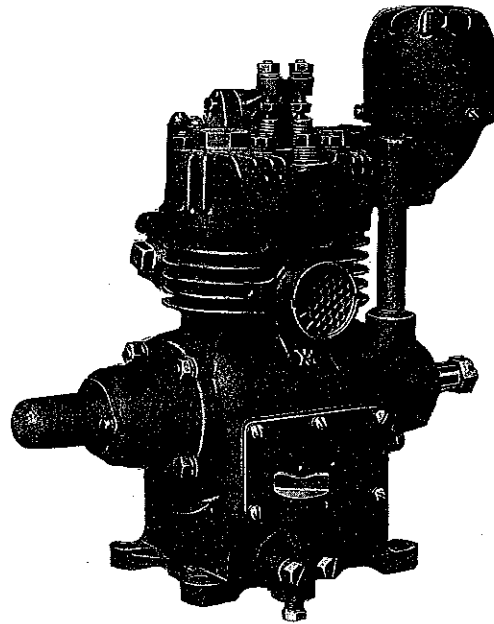


COPYRIGHT, 1929, BY THE

Westinghouse Air Brake Company

Automotive Brake Division

Pittsburgh, Pa., U. S. A.



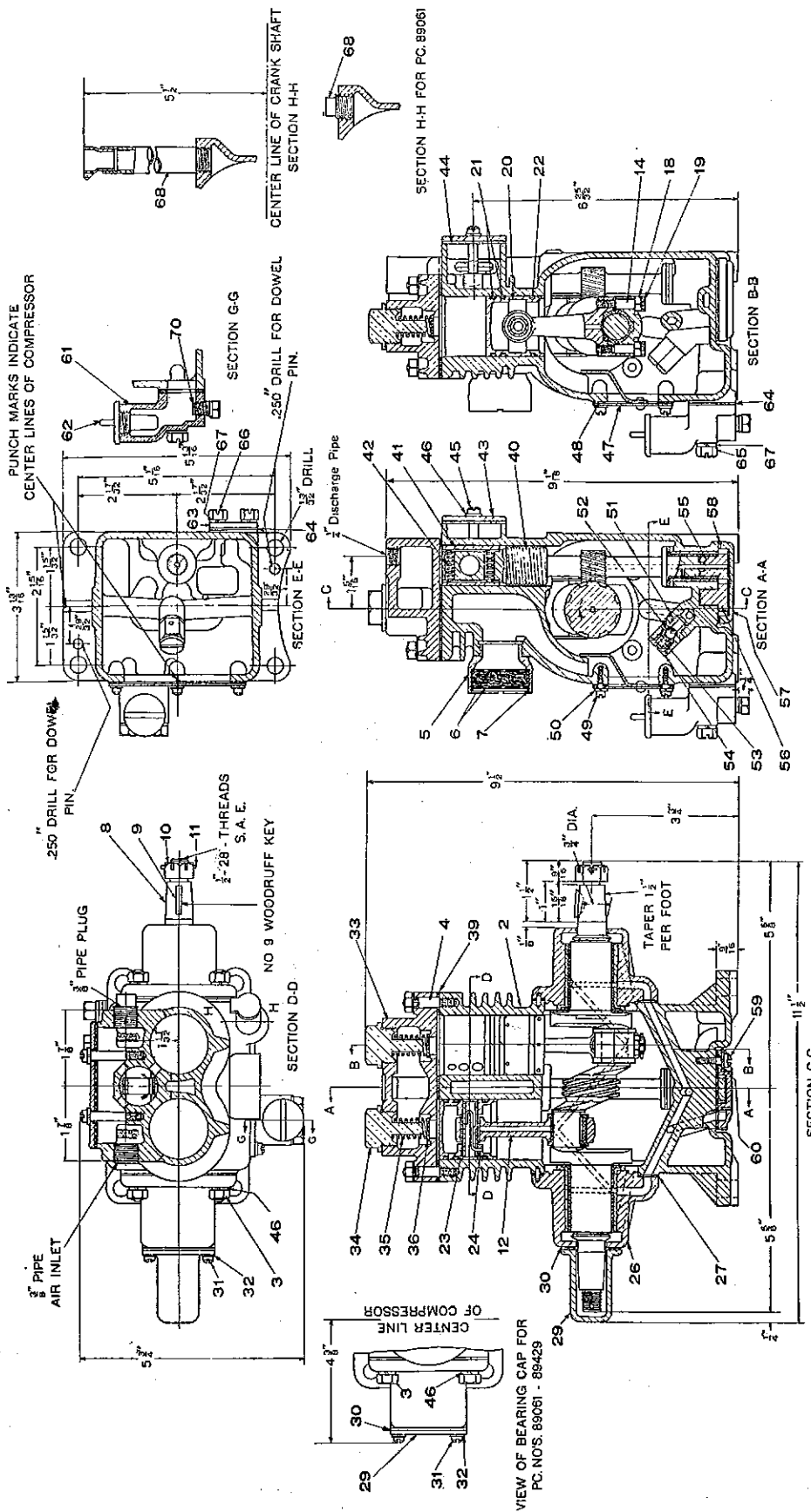
Type B Air Compressors

Part Catalog No. 3704-1

October, 1929

(SUPERSEDING ISSUE OF JULY, 1926)

TYPE 2B-3-C AIR COMPRESSOR



Net Weight 22 lbs.

TYPE 2B-3-C AIR COMPRESSOR

The Type 2B-3-C Compressor has a displacement of 3 cubic feet when operating at the normal speed of 1200 revolutions per minute against 75 pounds air pressure.

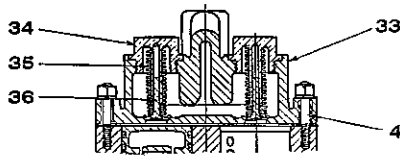
Right or left hand drive is determined by facing the name plate on the front of the compressor.

Complete Pc. No.	Crank Shaft Bearings	Drive End Location	Oil Gage and Drainage Fitting Location
88231	Standard	Right	Front
89061	Standard	Right (Left crank shaft end cut off)	Back (No opening on front)
89081	Large Trunnion	Left	Back
89204	R. H. Small Trunnion L. H. Large Trunnion	Left	Back
89429	Small Trunnion	Right (Left crank shaft end cut off)	Back

For complete piece numbers of assembled combinations of Type 2B-3-C Air Compressors, see Pages 14 and 15.

Pc. No.	Ref. No.	Description	Pc. No.	Ref. No.	Description
86675	2	Cylinder Block, complete, (includes eight of 3, six of 4 and two of Pc. 33711) (for Pc. 88231, 89081, 89204 and 89429).	74804	31	Ov. Fil. Hd. Mch. Screws (2 Req'd)
80031	2	Cylinder Block, complete, (includes 68, eight of 3, six of 4 and two of Pc. 33711) (for Pc. 89061)	7982	32	No. 10 Lock Washer (2 Req'd)
84836	3	Crank Shaft Bearing Stud and Nut (8 Req'd)	88230		Cylinder Head, complete, (includes 33, two of 34, 35, 36 and Pc. 1635)
84831	4	Cylinder Head Stud and Nut (6 Req'd)	88229	33	Cylinder Head (Casting only)
76957	4	Cyl. Hd. Bolt (for Pc. 89061) (6 Req'd)	86686	34	Discharge Valve Cap Nut (2 Req'd)
77193	4	Cylinder Block Vent, complete, (includes 5, 7, and two of 6)	88236	35	Discharge Valve Springs (2 Req'd)
77190	5	Vent Body	86682	36	Discharge Valves (2 Req'd)
77191	6	Strainer Plates (2 Req'd)	74302	39	Cylinder Head Gasket
77192	7	Strainer Plate Retaining Ring	77022	40	Inlet Valve Shaft
75713	8	Crank Shaft (for Pc. 88231, 89081 and 89204)	74304	41	Inlet Valve (2 Req'd)
80024	8	Crank Shaft (for Pc. 89061 and 89429)	74305	42	Inlet Valve Springs (2 Req'd)
73939	9	No. 9 Woodruff Key	74306	43	Inlet Valve Chamber Cover
2377	10	1/2" Castile Nut	74307	44	Inlet Valve Chamber Cover Gasket
81920	11	Cotter	3068	45	Ov. Fil. Hd. Mch. Screw (2 Req'd)
	12	Connecting Rods, complete, (includes two of 14, 18 and 19) (2 Req'd)	10764	46	1/4" Lock Washers (10 Req'd)
81882	14	Connecting Rod Studs (4 Req'd)	77194	47	Crank Case Cover, complete
77787	18	1/4" Castile Nuts (4 Req'd)	74309	48	Crank Case Cover Gasket
5735	19	Cotters (4 Req'd)	74804	49	Ov. Fil. Hd. Mach. Screw (6 Req'd)
74330		Piston, complete, (includes 20, 22 and two of 21) (2 Req'd)	7982	50	No. 10 Lock Washers (6 Req'd)
74275	20	Piston (2 Req'd)	74310	51	Oil Pump Check Valve Seat
74276	21	Piston Rings (4 Req'd)	55180	52	3/8" Ball Check
77131	22	Oil Ring (2 Req'd)	74311	53	Check Valve Spring
74277	23	Wrist Pin (2 Req'd)	74312	54	Check Valve Plug
74278	24	Wrist Pin Lock Wire (2 Req'd)	83630	55	Oil Pump Driving Gear
85736	26	Std. Crank Shaft Bearing, complete, (2 Req'd) (for Pc. 88231 and 89061)	83631	56	Oil Pump Driven Gear
*82955	26	Large Trunnion Crank Shaft Bearing, complete, (2 Req'd for Pc. 89081 and 1 for 89204)	83629	57	Oil Pump Cover
*82954	26	Small Trunnion Crank Shaft Bearing, complete, (1 Req'd) for Pc. 89204 and 2 for Pc. 89429)	83628	58	Oil Pump Cover Gasket
*74301	27	Crank Shaft Bearing Gasket (2 Req'd)	2325	59	Ov. Fil. Hd. Mch. Screw (4 Req'd)
75744	29	Bearing Cap (for Pc. 88231, 89081 and 89204)	10764	60	1/4" Lock Washers (4 Req'd)
80044	29	Bearing Cap (for Pc. 89061 and 89429)	83619		Oil Gage and Drain Fitting, complete, (includes 61, 62 and 70)
75741	30	Bearing Cap Gasket	83620	61	Oil Gage and Drain Fitting Body
			77872	62	Gage Plug
			74609	63	Gage Fitting Blanking Cover
			74610	64	Gage Fitting Gaskets (2 Req'd)
			49296	65	Sl. Hex. Hd. Cap Screw (2 Req'd)
			27031	66	Sl. Hex. Hd. Cap Screw (2 Req'd)
			10764	67	1/4" Lock Washers (4 Req'd)
			79901	68	Oil Filling Tube, complete
			80862	68	3/8" Plug (for Pc. 89061)
			83621	70	Drain Plug
			82965		Filling Piece Screen
			1635		1/4" Pipe Plug (2 Req'd)
			33711		3/8" Pipe Plug (2 Req'd)

NOTE A—When ordering repair parts for the obsolete Type 2B-3-C Compressor, having Mushroom Type Discharge Valves, the details listed above should be specified with the exception of the following piece numbers which should be substituted for the corresponding reference numbers:



Cylinder Head having Mushroom Type Discharge Valves

Pc. No.	Ref. No.	Description
73755	4	Cylinder Head Stud and Nut (6 Req'd)
77878	33	Cylinder Head (casting only)
83903	34	Discharge Valve Cap Nut (2 Req'd)
81140	35	Discharge Valve Spring (2 Req'd)
83902	36	Discharge Valve (2 Req'd)

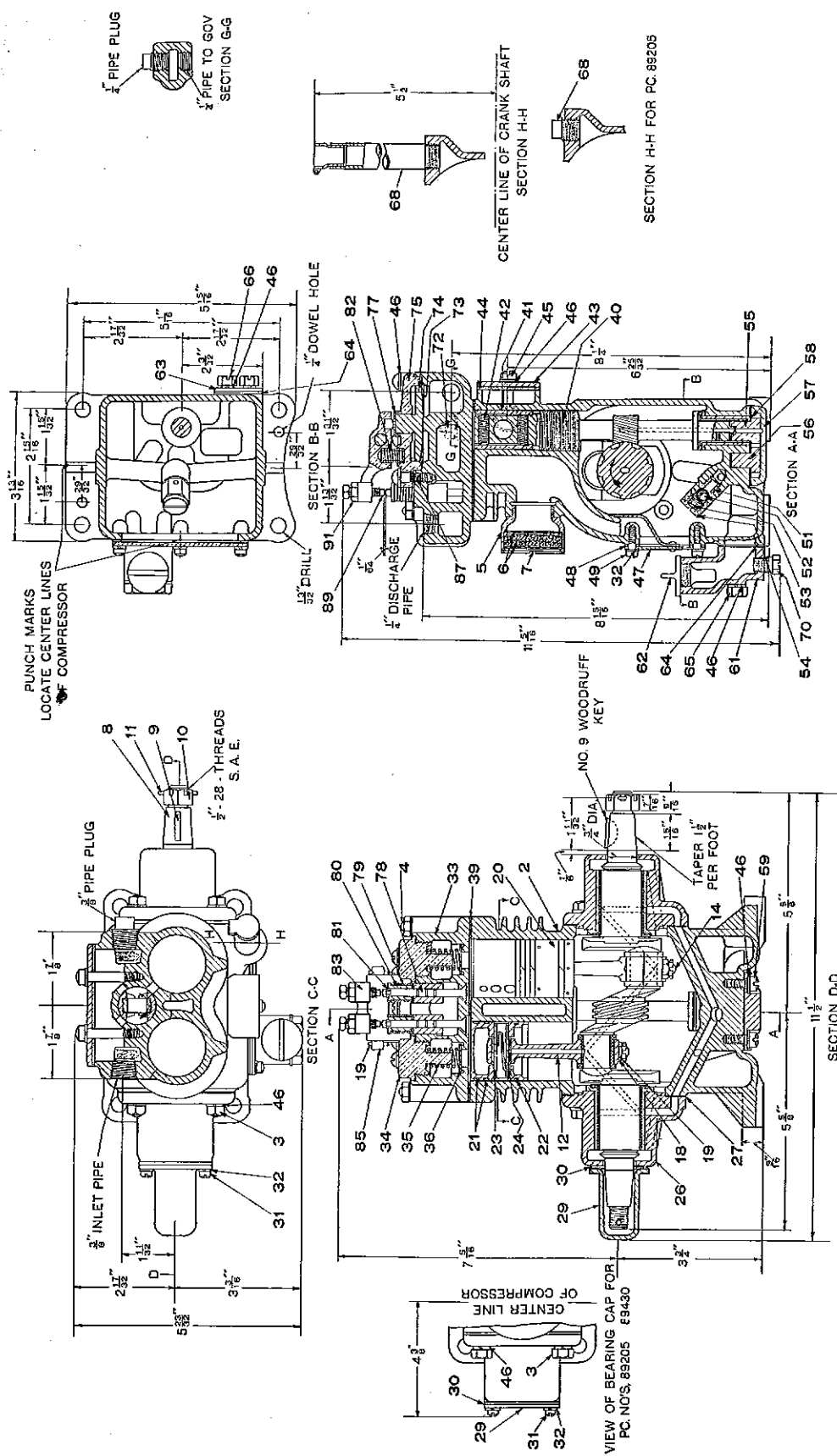
*NOTE B—For details of Crank Shaft Bearings, see Page 19.

*NOTE C—For repair Pistons and Rings, see Page 15.

*NOTE D—For Strainers, see Pages 16, 17 and 18.

Prices will be quoted upon application
Orders should give **PIECE NUMBER** and **NAME** of part wanted

TYPE 2B-3-CU AIR COMPRESSOR



Net Weight 24 lbs.

TYPE 2B-3-CU AIR COMPRESSOR

The Type 2B-3-CU compressor has an unloading type of cylinder head and requires the use of a type O-1 Governor to stop the compression of air when the cutting-out point is reached and to allow resumption of compression at cutting-in setting. It has a displacement of 3 cubic feet when operating at a normal speed of 1200 revolutions per minute against 75 pounds air pressure.

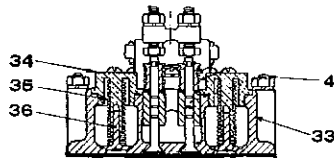
Right or left hand drive is determined by facing the name plate on the front of the compressor.

Complete Pc. No.	Crank Shaft Bearings	Drive End Location	Oil Gage and Drainage Fitting Location
86743	Standard	Right	Front
89205	Standard	Right (Left crank shaft end cut off)	Back (No opening on front)
89430	Small Trunnion	Right (Left crank shaft end cut off)	Back

For complete piece numbers of assembled combinations of the 2B-3-CU Air Compressor, see Pages 14 and 15.

Pc. No.	Ref. No.	Description	Pc. No.	Ref. No.	Description
83802	2	Cylinder Block, complete, (includes two of 4, and Pc. 33711, four of 72 and eight of 3)	77022	40	Inlet Valve Shaft
89387	2	Cylinder Block, complete, (includes two of 4 and Pc. 33711, four of 72, eight of 3 and one of 68) (for Pc. 89205)	74304	41	Inlet Valve (2 Req'd)
84836	3	Crank Shaft Bearing Stud and Nut (8 Req'd)	74305	42	Inlet Valve Spring (2 Req'd)
84836	4	Cylinder Head Stud and Nut (2 Req'd)	74306	43	Inlet Valve Chamber Cover
77193	5	Cylinder Block Vent, complete, (includes 5, 7 and two of 6)	74307	44	Inlet Valve Chamber Cover Gasket
77190	5	Vent Body	3068	45	Ov. Fil. Hd. Mch. Screw (2 Req'd)
77191	6	Strainer Plate (2 Req'd)	10764	46	1/4" Lock Washers (23 Req'd)
77192	7	Strainer Plate Retaining Ring	77194	47	Crank Case Cover, complete
75713	8	Crank Shaft (for Pc. 86743)	74309	48	Crank Case Cover Gasket
80024	8	Crank Shaft (for Pc. 89430 and 89205)	74304	49	Ov. Fil. Hd. Mch. Screw (6 Req'd)
73939	9	No. 9 Woodruff Key	74310	51	Oil Pump Check Valve Seat
2377	10	1/2" Castle Nut	55180	52	1/4" Ball Check
81920	11	Cotter	74311	53	Check Valve Spring
	12	Connecting Rod, complete, (includes 12, two of 14, 18 and 19) (2 Req'd)	74312	54	Check Valve Plug
81882	14	Connecting Rod Stud (4 Req'd)	83630	55	Oil Pump Driving Gear
77787	18	1/4" Castle Nut (4 Req'd)	83631	56	Oil Pump Driven Gear
5735	19	Cotter (6 Req'd)	83629	57	Oil Pump Cover
74330		Piston, complete, (includes 20, 22 and two of 21) (2 Req'd)	83628	58	Oil Pump Cover Gasket
74275	20	Piston (2 Req'd)	2325	59	Ov. Fil. Hd. Mch. Screw (4 Req'd)
74276	21	Piston Ring (4 Req'd)	83619		Oil Gage and Drain Fitting, complete, (includes 61, 62 and 70)
77131	22	Oil Ring (2 Req'd)	83620	61	Oil Gage and Drain Fitting Body
74277	23	Wrist Pin (2 Req'd)	77372	62	Gage Plug
74278	24	Wrist Pin Lock Wire (2 Req'd)	74609	63	Gage Fitting Blanking Cover
*85736	26	Std. Crank Shaft Bearing, complete, (2 Req'd for Pc. 86743 and 89205)	74610	64	Gage Fitting Gasket (2 Req'd)
*82954	26	Small Trunnion Crank Shaft Bearing, complete, (2 Req'd for Pc. 89430)	49296	65	Sl. Hex. Hd. Cap Screw (2 Req'd)
74301	27	Crank Shaft Bearing Gasket (2 Req'd)	27031	66	Sl. Hex. Hd. Cap Screw (2 Req'd)
75744	29	Bearing Cap (for Pc. 86743)	79901	68	Oil Fitting Tube, complete
80044	29	Bearing Cap (for Pc. 89430 and 89205)	80862	68	1/4" Plug (for Pc. 89205)
75741	30	Bearing Cap Gasket	83621	70	Drain Plug
74804	31	Ov. Fil. Hd. Mch. Screw (2 Req'd)	83803	72	Cyl. Hd. Stud and Nut (4 Req'd)
7982	32	No. 10 Lock Washers (8 Req'd)	84777	72	Cyl. Hd. Bolt (4 Req'd) for Pc. 89205
86746		Cylinder Head, complete, (includes 33, 74, 75, 76, 77, 82, 83, 85, two of 19, 34, 35, 36, 73, 78, 79, 80, 81, 89, 91, Pc. 1635, five of 87 and seven of 46)	89062	73	Diaphragm
86744	33	Cylinder Head (Bushed)	88197	74	Diaphragm Follower
86686	34	Discharge Valve Cap Nut (2 Req'd)	85101	75	Diaphragm Box Cover
88236	35	Discharge Valve Spring (2 Req'd)	83674	77	Diaphragm Dust Guard
86682	36	Discharge Valve (2 Req'd)	83810	78	Unloading Valve (2 Req'd)
83816	39	Cylinder Head Gasket, (2 Req'd)	83681	79	Unloading Valve Spring (2 Req'd)
			83682	80	Unloading Valve Stop (2 Req'd)
			83683	81	Spring Retaining Ring (2 Req'd)
			84407	82	Lever Spring
			89180	83	Lever
			84406	85	Lever Pin
			3245	87	Rd. Mch. Screw (5 Req'd)
			41684	89	Adjusting Screw (2 Req'd)
			3246	91	1/2" Hex. Nut (2 Req'd)
			82965		Filling Piece Screen
			33711		3/8" Pipe Plug (2 Req'd)
			1635		1/2" Pipe Plug (2 Req'd)

NOTE A—When ordering repair parts for the obsolete Type 2B-3-CU Compressor having Mushroom Type Discharge Valves, the details listed above should be specified with the exception of the following piece numbers, which should be substituted for the corresponding reference numbers:



Cylinder Head having Mushroom Type Discharge Valves

Pc. No.	Ref. No.	Description
83804	4	Cylinder Head Stud and Nut (2 Req'd)
85109	33	Cylinder Head (Bushed)
83903	34	Discharge Valve Cap Nut (2 Req'd)
81140	35	Discharge Valve Spring (2 Req'd)
83902	36	Discharge Valve (2 Req'd)

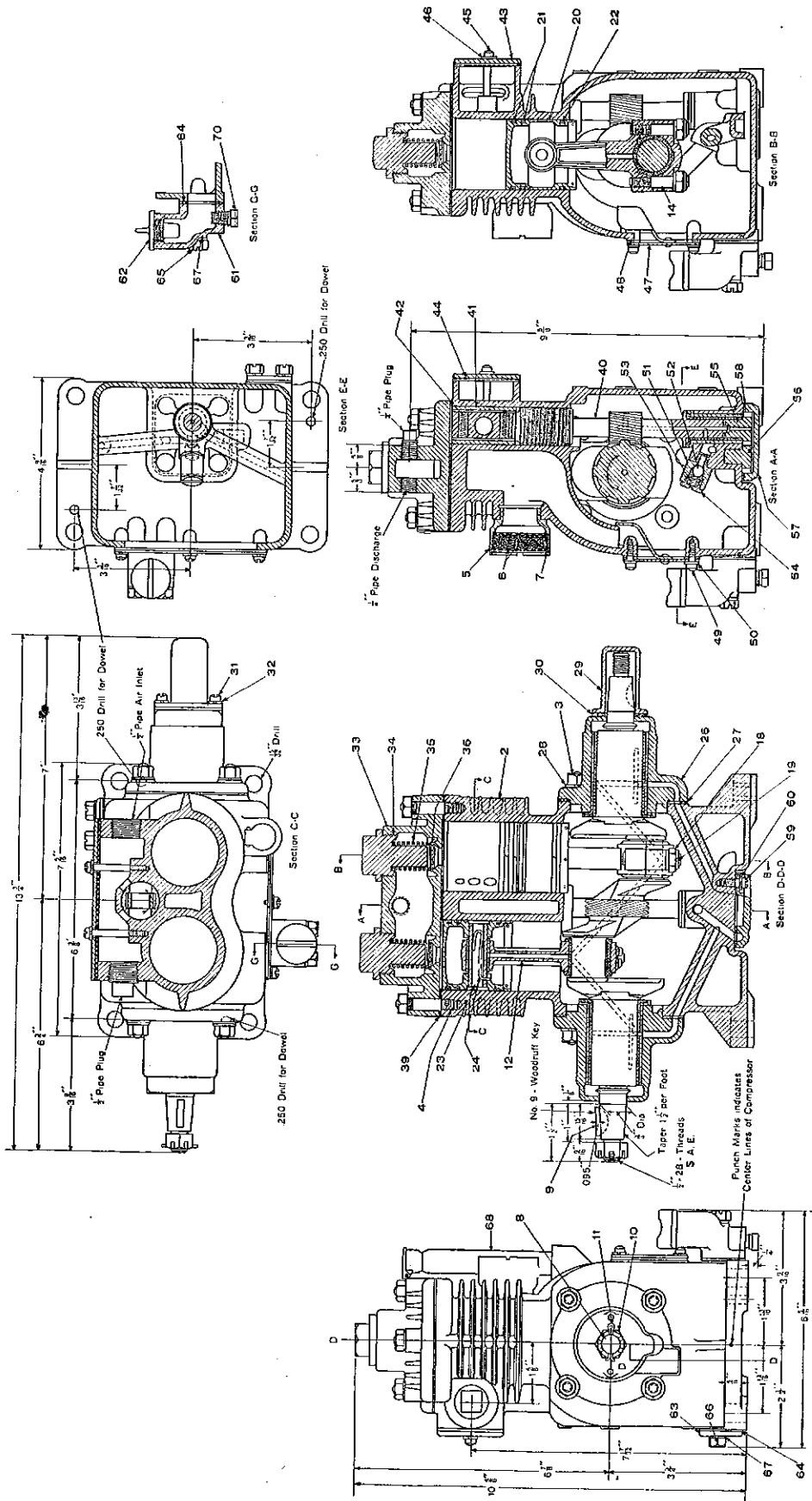
*NOTE B—For details of Crank Shaft Bearings, see Page 19.

†NOTE C—For repair Pistons and Rings, see Page 15.

NOTE D—For Strainers, see Pages 16, 17 and 18.

Prices will be quoted upon application
Orders should give PIECE NUMBER and NAME of part wanted

TYPE 2B-6-C AIR COMPRESSOR



Net Weight 31 1/2 lbs.

TYPE 2B-6-C AIR COMPRESSOR

The Type 2B-6-C compressor has a displacement of 6 cubic feet when operating at the normal speed of 1200 revolutions per minute against 75 pounds air pressure.

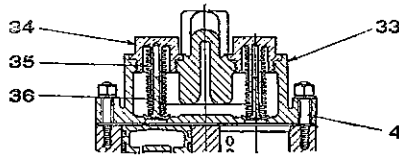
Right or left hand drive is determined by facing the name plate on the front of the compressor.

Complete Pc. No.	Crank Shaft Bearings	Drive End Location	Oil Gage and Drainage Fitting Location
86593	Standard	Left	Front
89082	L. H. Felt R. H. Standard	Left	Back
89083	Large Trunnion	Right	Back

For complete piece numbers of Assembled Combinations of the Type 2B-6-C Air Compressor, see pages 14 and 15.

Pc. No.	Ref. No.	Description	Pc. No.	Ref. No.	Description
88233	2	Cylinder Block, complete, (includes Pc. 33310, eight of 3 and six of 4)	86698	33	Cylinder Head (Casting only)
83658	3	Crank Shaft Bearing Stud and Nut (8 Req'd)	86697	34	Discharge Valve Cap Nut (2 Req'd)
73760	4	Cylinder Head Stud and Nut (6 Req'd)	86696	35	Discharge Valve Spring (2 Req'd)
77193	5	Cylinder Block Vent, complete, (includes 5, 7 and two of 6)	86695	36	Discharge Valve (2 Req'd)
77190	6	Vent Body	77023	39	Cylinder Head Gasket
77191	7	Strainer Plates (2 Req'd)	88202	40	Inlet Valve Shaft
77192	8	Strainer Plate Retaining Ring	77247	41	Inlet Valve (2 Req'd)
76010	9	Crank Shaft	74859	42	Inlet Valve Spring (2 Req'd)
73939	10	No. 9 Woodruff Key	74860	43	Inlet Valve Chamber Cover
2377	11	1/2" Castle Nut	79894	44	Inlet Valve Chamber Cover Gasket
81912	12	Cotter	10764	45	Ov. Fil. Hd. Mch. Screw (2 Req'd)
81885	14	Connecting Rod, complete, (includes two of 14, 18 and 19) (2 Req'd)	77254	46	1/4" Lock Washers (2 Req'd)
79069	18	Connecting Rod Studs (2 Req'd)	74856	48	Crank Case Cover, complete
5735	19	1/2" Castle Nuts (2 Req'd)	74804	49	Crank Case Cover Gasket
†87304	20	Cotters (2 Req'd)	7982	50	Ov. Fil. Hd. Mch. Screw (6 Req'd)
78289	21	Piston, complete, (includes 20, 22 and two of 21) (2 Req'd)	74310	51	No. 10 Lock Washers (6 Req'd)
83776	22	Piston (2 Req'd)	55180	52	Oil Pump Check Valve Seat
77133	23	Piston Ring (4 Req'd)	74311	53	1/2" Ball Check
87279	24	Oil Ring (2 Req'd)	74312	54	Check Valve Spring
87280	25	Wrist Pin (2 Req'd)	83630	55	Check Valve Plug
†76013	26	Wrist Pin Lock Wire (2 Req'd)	83631	56	Oil Pump Driving Gear
*84789	26	Std. Crank Shaft Bearing (2 Req'd for Pc. 86593)	83629	57	Oil Pump Driven Gear
*81332	26	Large Trunnion Crank shaft Bearings (2 Req'd for Pc. 89083)	83628	58	Oil Pump Cover
74845	27	Felt Crank shaft Bearing (1 Req'd for Pc. 89082)	2325	59	Oil Pump Cover Gasket
74845	28	Crank Shaft Bearing Gasket (2 Req'd)	10764	60	Ov. Fil. Hd. Mch. Screw (4 Req'd)
9409	29	1/4" Lock Washers (8 Req'd)	89622		Oil Gage and Drainage Fitting, complete, (includes 61, 62 and 70)
75744	30	Crank Shaft Cover Cap	83623	61	Oil Gage and Drainage Fitting Body
74847	31	Crank Shaft Cover Cap Gasket	77909	62	Gage Plug
3950	32	Ov. Fil. Hd. Mch. Screws (2 Req'd)	74609	63	Gage Fitting Blanking Cover
7982		No. 10 Lock Washers (2 Req'd)	74610	64	Gage Fitting Gasket (2 Req'd)
86704		Cylinder Head, complete, (includes 33, two of 34, 35, 36 and Pc. 1635)	49296	65	Sl. Hex. Hd. Cap Screw (2 Req'd)
			27031	66	Sl. Hex. Hd. Cap Screw (2 Req'd)
			10764	67	1/4" Lock Washers (4 Req'd)
			79909	68	Oil Filling Tube, complete
			83621	70	Drain Plug
			82966		Filling Piece Screen
			1635		1/4" Pipe Plug (2 Req'd)
			33310		1/2" Pipe Plug (2 Req'd)

NOTE A—When ordering repair parts for the obsolete Type 2B-6-C Compressor having Mushroom Type Discharge Valves, the details listed above should be specified with the exception of the following Piece Numbers which should be substituted for the corresponding Reference Numbers.



Cylinder Head having Mushroom Type Discharge Valves

Pc. No.	Ref. No.	Description
77567	4	Cylinder Head Stud and Nut (6 Req'd)
77898	33	Cylinder Head (Casting Only)
84513	34	Discharge Valve Cap Nut (2 Req'd)
74849	35	Discharge Valve Spring (2 Req'd)
84512	36	Discharge Valve (2 Req'd)

*NOTE B—For details of Crank Shaft Bearings, see page 19.

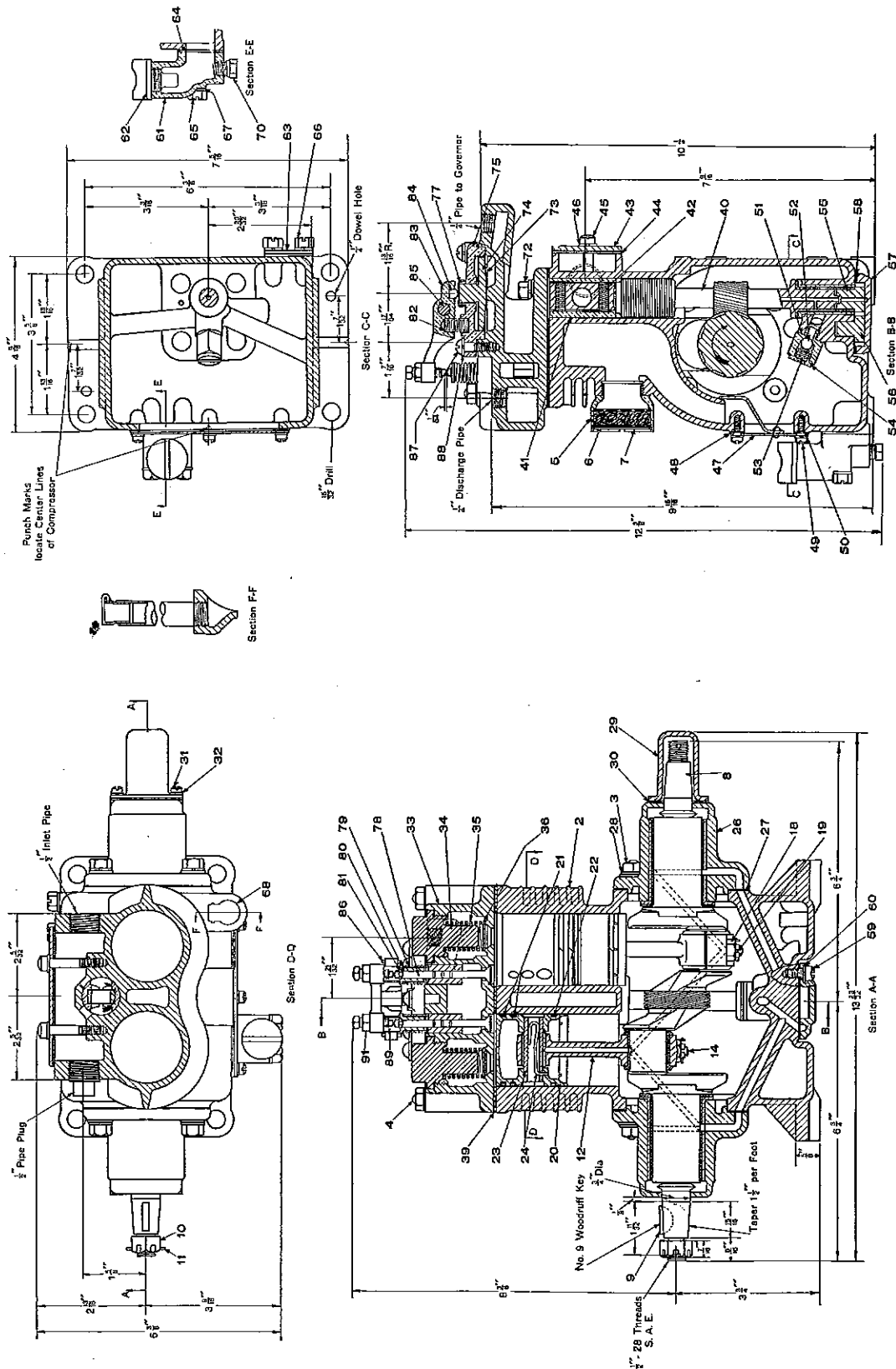
†NOTE C—For Repair Pistons and Rings, see page 15.

NOTE D—For Strainers, see pages 16, 17 and 18.

Prices will be quoted upon application

Orders should give PIECE NUMBER and NAME of part wanted

TYPE 2B-6-CU AIR COMPRESSOR



Net Weight 35 lbs.

TYPE 2B-6-CU AIR COMPRESSOR

The Type 2B-6-CU compressor has an unloading type of cylinder head and requires the use of a type O-1 governor to stop the compression of air when the cutting-out point is reached and to allow resumption of compression at cutting-in setting. It has a displacement of 6 cubic feet when operating at a normal speed of 1200 revolutions per minute against 75 pounds air pressure.

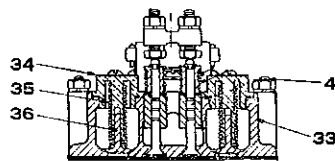
Right or left hand drive is determined by facing the name plate on the front of the compressor.

Complete Pc. No.	Crank Shaft Bearings	Drive End Location	Oil Gage Fitting Location
86592	Standard	Left	Front
89206	Large Trunnion	Right	Back

For complete piece numbers of assembled combinations of the 2B-6-CU Air Compressor, see pages 14 and 15.

Pc. No.	Ref. No.		Pc. No.	Ref. No.	
86308	2	Cylinder Block, complete, (includes eight of 3, four of 4, two of 72 and Pc. 33310) (for Pc. 89206)	77247	42	Inlet Valve Spring (2 Req'd)
83663	2	Cylinder Block, complete, (includes eight of 3, four of 4, two of 72 and Pc. 33310) (for Pc. 86592)	74859	43	Inlet Valve Chamber Cover
83658	3	Crank Shaft Bearing Stud and Nut (8 Req'd)	74860	44	Inlet Valve Chamber Cover Gasket
83657	4	Cylinder Head Stud and Nut (4 Req'd)	79394	45	Ov. Fil. Hd. Mch. Screw (2 Req'd)
77193		Cylinder Block Vent, complete, (includes 5, 6 and 7)	10764	46	1/4" Lock Washers (2 Req'd)
77190	5	Vent Body	77254	47	Crank Case Cover, complete
77191	6	Strainer Plates (2 Req'd)	74856	48	Crank Case Cover Gasket
77192	7	Strainer Plate Retaining Ring	74804	49	Ov. Fil. Hd. Mch. Screw (6 Req'd)
76010	8	Crank Shaft	7982	50	No. 10 Lock Washers (6 Req'd)
	9	No. 9 Woodruff Key	74310	51	Oil Pump Check Valve Seat
73039	10	1/2" Castle Nut	55180	52	1/8" Ball Check
2377	11	Cotter	74311	53	Check Valve Spring
81912	12	Connecting Rods, complete, (includes two each of 14, 18, 19) (2 Req'd)	74312	54	Check Valve Plug
81885	14	Connecting Rod Stud (2 Req'd)	83630	55	Oil Pump Driving Gear
79069	18	1/2" Castle Nut (2 Req'd)	83631	56	Oil Pump Driven Gear
5735	19	Cotter (2 Req'd)	83629	57	Oil Pump Cover
87304		Piston, complete, (includes 20, 22 and two of 21) (2 Req'd)	83628	58	Oil Pump Cover Gasket
87289	20	Piston (2 Req'd)	2325	59	Ov. Fil. Hd. Mch. Screw (4 Req'd)
73776	21	Piston Ring (4 Req'd)	10764	60	1/4" Lock Washers (4 Req'd)
77133	22	Oil Ring (2 Req'd)	83622		Oil Gage and Drain Fitting, complete, (includes 61, 62 and 70)
87279	23	Wrist Pin (2 Req'd)	83623	61	Oil Gage and Drain Fitting Body
87280	24	Wrist Pin Lock Wire (2 Req'd)	77909	62	Gage Plug
*76013	26	Standard Crank Shaft Bearing (2 Req'd) (for Pc. 86592)	74609	63	Gage Fitting Blanking Cover
*84789	26	Large Trunnion Crank Shaft Bearing (2 Req'd for Pc. 89206)	74610	64	Gage Fitting Gaskets (2 Req'd)
74845	27	Crank Shaft Bearing Gaskets (2 Req'd)	49296	65	Sl. Hex. Hd. Cap Screw (2 Req'd)
9469	28	1/4" Lock Washers (8 Req'd)	27031	66	Sl. Hex. Hd. Cap Screw (2 Req'd)
75744	29	Crank Shaft Bearing Cap	10764	67	1/4" Lock Washers (4 Req'd)
74847	30	Crank Shaft Cover Cap Gasket	79909	68	Oil Filling Tube, complete
3950	31	Ov. Fil. Hd. Mch. Screws (2 Req'd)	83621	70	Drain Plug
7982	32	No. 10 Lock Washers (2 Req'd)	83658	72	Cylinder Head Stud and Nut (2 Req'd)
86705		Cylinder Head, complete, (includes 33, 73, 74, 75, 77, 82, 83, 85, two of 34, 35, 36, 78, 79, 80, 81, 86, 89, 91, Pc. 1635 and five of 87)	89062	73	Diaphragm
86721	33	Cylinder Head (Bushed)	88197	74	Diaphragm Follower
86697	34	Discharge Valve Cap Nut (2 Req'd)	85101	75	Diaphragm Box Cover
86696	35	Discharge Valve Spring (2 Req'd)	83674	77	Diaphragm Dust Guard
86695	36	Discharge Valve (2 Req'd)	85102	78	Unloading Valves (2 Req'd)
83659	39	Cylinder Head Gasket	83681	79	Unloading Valve Spring (2 Req'd)
77023	40	Inlet Valve Shaft	83682	80	Unloading Valve Stops (2 Req'd)
88202	41	Inlet Valve (2 Req'd)	83683	81	Spring Retaining Rings (2 Req'd)
			84407	82	Lever Spring
			88199	83	Lever, complete, (includes 84)
			84404	84	Lever Button
			84406	85	Lever Pin
			5735	86	1/8" x 1/2" Cotters (2 Req'd)
			3245	87	Diaphragm Box Cover Screws (5 Req'd)
			10764	88	1/4" Lock Washers (5 Req'd)
			41684	89	Adjusting Screws (2 Req'd)
			3246	91	1/4" Hex. Nuts (2 Req'd)
			82966		Filling Piece Screen
			1635		1/4" Pipe Plug (2 Req'd)
			33310		1/2" Pipe Plug (2 Req'd)

NOTE A—When ordering repair parts for the obsolete Type 2B-6-CU Compressor having Mushroom Type Discharge Valves, the details listed above should be specified with the exception of the following piece numbers which should be substituted for the corresponding Reference Numbers:



Cylinder Head having Mushroom Type Discharge Valves

Pc. No.	Ref. No.	
85099	33	Cylinder Head (Bushed)
83669	34	Discharge Valve Cap Nut (2 Req'd)
83668	35	Discharge Valve Spring (2 Req'd)
83667	36	Discharge Valve (2 Req'd)

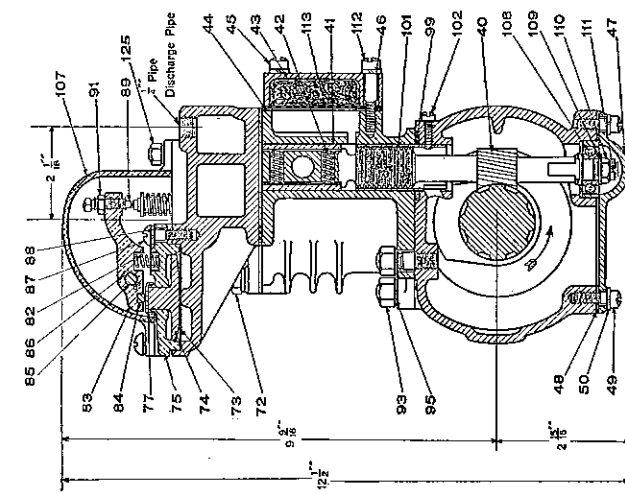
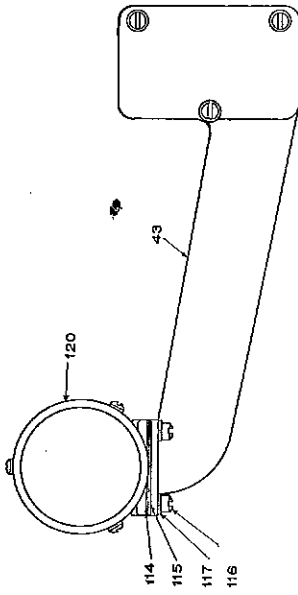
*NOTE B—For details of Crank Shaft Bearings, see page 19.

*NOTE C—For Repair Pistons and Rings, see page 15.

NOTE D—For Strainers, see pages 16, 17, and 18.

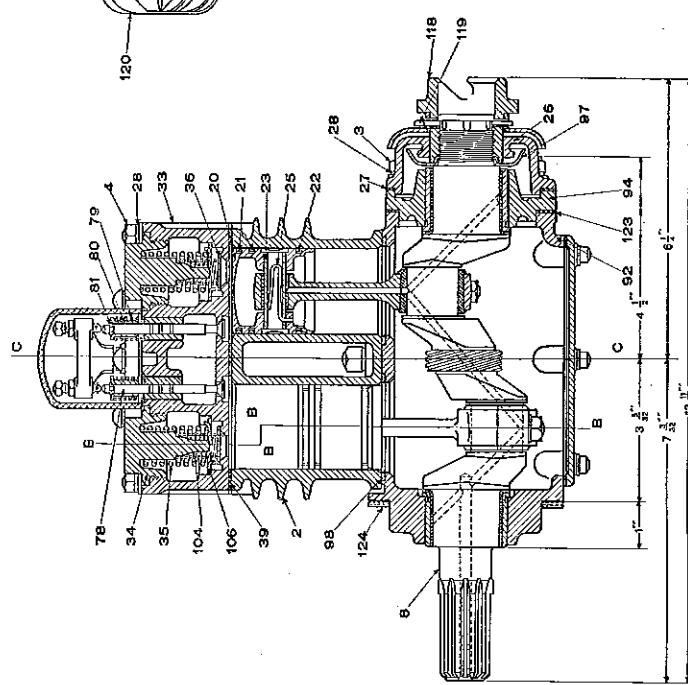
Prices will be quoted upon application
Orders should give **PIECE NUMBER** and **NAME** of part wanted

TYPE 2B-6-JU AIR COMPRESSOR

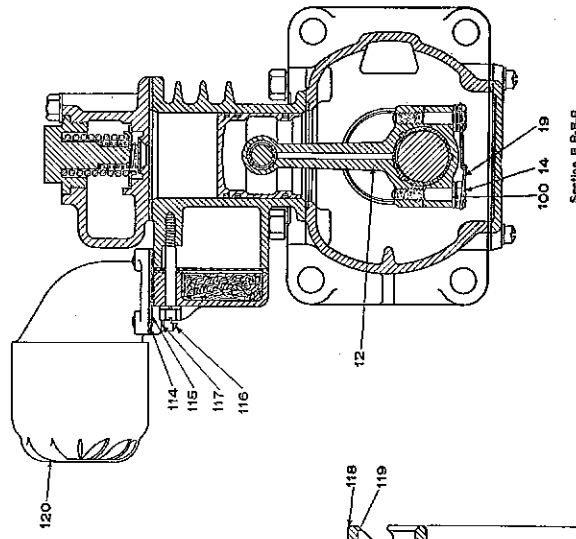


Section C-C

Inlet Valve Manifold For Pc. 88924



Section B B-5-6



Net Weight 41 lbs.

TYPE 2B-6-JU AIR COMPRESSOR

The Type 2B-6-JU Air Compressor has an unloading type of cylinder head and requires the use of a Type O-1 governor to stop the compression of air when the cutting-out point is reached and to allow resumption of compression at cutting-in setting. It has a displacement of 6 cubic feet when operating at a normal speed of 1200 revolutions per minute against 75 pounds air pressure.

Piece No. 88200 Type 2B-6-JU Air Compressor, complete, with Short Manifold and Air Cleaner

Piece No. 88924 Type 2B-6-JU Air Compressor, complete, with Long Manifold and Air Cleaner

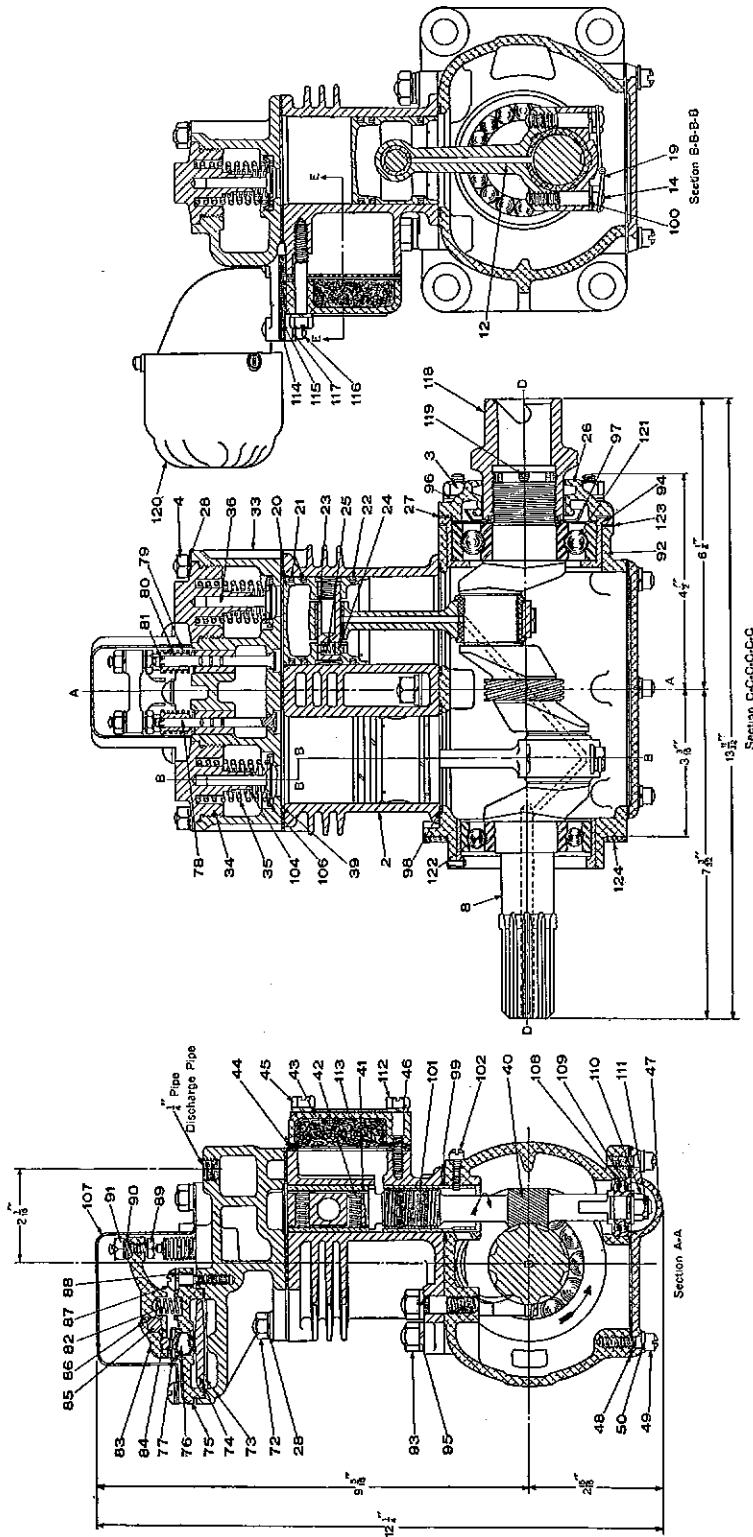
Pc. No.	Ref. No.		Pc. No.	Ref. No.	
84377	2	Cylinder Block (includes two of 4, 72 and 125)	83681	79	Unloading Valve Spring (2 Req'd)
84361	3	Stud and Nut (4 Req'd)	83682	80	Unloading Valve Stop (2 Req'd)
87796	4	Stud and Nut (2 Req'd)	83683	81	Spring Retainer Ring (2 Req'd)
88189	8	Crank Shaft	84407	82	Lever Spring
84387	12	Connecting Rod, complete, (includes 19, two of 14 and 100) (2 Req'd)	88199	83	Unloader Lever (includes 84)
84384	14	Sl. Hex. Hd. Cap Screw (4 Req'd)	84404	84	Lever Button
84385	19	Lock Wire (2 Req'd)	84406	85	Lever Pin
*87304	20	Piston, complete, (includes 22 and two of 21) (2 Req'd)	5735	86	3/8"x1/2" Cotter (2 Req'd)
73776	21	Piston Ring (4 Req'd)	59125	87	Rd. Hd. Mch. Screw (5 Req'd)
77133	22	Oil Ring (2 Req'd)	10764	88	1/4" Lock Washer (5 Req'd)
87279	23	Wrist Pin (2 Req'd)	41684	89	Adjusting Screw (2 Req'd)
87280	25	Wrist Pin Lock Wire (2 Req'd)	3246	91	1/4" Hex. Nut (2 Req'd)
88186	26	End Cover	88181	92	Crank Case, complete, (includes 124, four of 3 and five of 93)
88188	27	End Cover Gasket	77959	93	Stud and Nut (5 Req'd)
9469	28	3/8" Lock Washers (6 Req'd)	88184	94	Front Bearing Flange, complete
88204		Cylinder Head, complete, (includes 33, 74, 75, 76, 77, 82, 83, 86, 107, two of 34, 35, 36, 73, 78, 79, 80, 81, 86, 89, 91, 104, 106, Pc. 1635 and six of 87 and 88)	17183	95	3/8" Lock Washers (5 Req'd)
88203	33	Cylinder Head	88185	97	Oil Thrower
88196	34	Discharge Valve Cap Nut (2 Req'd)	84378	98	Large Cylinder Block Gasket
84826	35	Discharge Valve Spring (Large) (2 Req'd)	84379	99	Small Cylinder Block Gasket
86695	36	Discharge Valve (2 Req'd)	9469	100	3/8" Lock Washers (2 Req'd)
84410	39	Cylinder Head Gasket	84388	101	Inlet Valve Shaft Bushing
88201	40	Inlet Valve Shaft	84389	102	Bushing Set Screw
88202	41	Inlet Valve (2 Req'd)	84425	104	Discharge Valve Small Spring (2 Req'd)
77247	42	Inlet Valve Spring (2 Req'd)	88195	106	Discharge Valve Spring Support (2 Req'd)
84413	43	Short Manifold	87754	107	Unloader Cover
88922	43	Long Manifold		108	Inlet Valve Shaft Ball Bearing
84414	44	Manifold Gasket	84412	109	Inlet Valve Shaft Washer
3068	45	Ov. Fil. Hd. Mch. Screw (For Short Manifold)	79069	110	3/4" S. A. E. Castle Nut
59126	45	Ov. Fil. Hd. Mch. Screw (For Long Manifold)	3942	111	3/8"x1/4" Cotter
10764	46	1/4" Lock Washer (3 Req'd)	83035	112	Ov. Fil. Hd. Mch. Screw (For Short Manifold) (2 Req'd)
88193	47	Crank Case Cover	59127	112	Ov. Fil. Hd. Mch. Screw (For Long Manifold) (2 Req'd)
84371	48	Crank Case Cover Gasket	84766	113	Manifold Screen
3069	49	Ov. Fil. Hd. Mch. Screw (6 Req'd)	84767	114	Air Cleaner Screen
10764	50	1/4" Lock Washer (6 Req'd)	84415	115	Air Cleaner Gasket
84376	72	Stud and Nut (2 Req'd)	3069	116	Ov. Fil. Hd. Mch. Screw (4 Req'd)
89062	73	Diaphragm	10764	117	1/4" Lock Washers (4 Req'd)
88197	74	Diaphragm Follower	88192	118	Starting Crank Jaw, complete
85101	75	Diaphragm Box Cover	84417	119	3/8"x2" Cotter
83674	77	Diaphragm Dust Guard	120		3" Centrifugal Air Cleaner
84397	78	Unloading Valve (2 Req'd)	88187	123	Bearing Flange Gasket
			84905	124	Flange Gasket
			83657	125	Stud and Nut (2 Req'd)
			1635		1/4" Pipe Plug (2 Req'd)

*NOTE A--For Repair Pistons and Rings, see page 15.

Prices will be quoted upon application

Orders should give PIECE NUMBER and NAME of part wanted

TYPE 2B-6-JU AIR COMPRESSOR



Net Weight 32 lbs.

TYPE 2B-6-JU AIR COMPRESSOR

The Type 2B-6-JU compressor has an unloading type of cylinder head and requires the use of a type O-1 governor to stop the compression of air when the cutting-out point is reached and to allow resumption of compression at cutting-in setting. It has a displacement of 6 cubic feet when operating at a normal speed of 1200 revolutions per minute against 75 pounds air pressure.

This compressor is now obsolete and is listed only for convenience in ordering repair parts.

Piece No. 85020 Type 2B-6-JU Air Compressor, complete, with Air Cleaner and Manifold

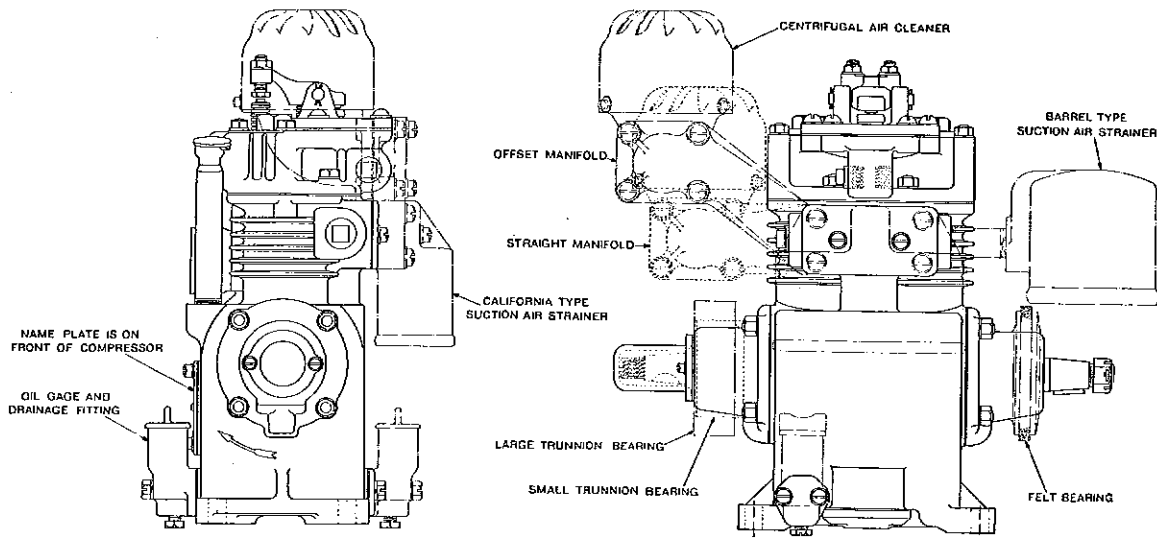
Pc. No.	Ref. No.	Pc. No.	Ref. No.		
84377	2	Cylinder Block (includes two of 72 and four of 4)	83682	80	Unloading Valve Stop (2 Req'd)
84361	3	Shaft Cover Stud and Nut (4 Req'd)	83683	81	Spring Retaining Ring (2 Req'd)
85294	4	Cylinder Head Stud and Nut (4 Req'd)	84407	82	Lever Spring
84365	8	Crank Shaft	84405	83	Unloader Lever (includes 84)
84387	12	Connecting Rod, complete, (includes 19, two of 14 and 100) (2 Req'd)	84404	84	Lever Button
84384	14	Sl. Hex. Hd. Cap Screws (2 Req'd)	84406	85	Lever Pin
84385	19	Lock Wire (2 Req'd)	5735	86	Cotter (2 Req'd)
*73777	20	Piston, complete, (includes 22 and two of 21) (2 Req'd)	59125	87	Rd. Hd. Cover Mch. Screw (5 Req'd)
73776	21	Piston Ring (4 Req'd)	10764	88	1/4" Lock Washer (5 Req'd)
77133	22	Oil Ring (2 Req'd)	83684	89	Adjusting Screw (2 Req'd)
73778	23	Wrist Pin (2 Req'd)	10764	90	1/4" Lock Washer (2 Req'd)
73779	24	Wrist Pin Plunger (2 Req'd)	73750	91	1/4" Hex. Nut (2 Req'd)
73780	25	Plunger Spring (2 Req'd)	84362	92	Crank Case, complete, (includes 124, four of 3 and five of 93)
84368	26	Crank Shaft Cover	84359	93	Cylinder Block Stud and Nut (5 Req'd)
84369	27	Crank Shaft Cover Gasket	84363	94	Front Bearing Bush
9469	28	5/16" Lock Washer (6 Req'd)	17173	95	3/8" Lock Washer (5 Req'd)
85022		Cylinder Head, complete, (includes 33, 74, 75, 76, 77, 82, 83, 86, 107, two of 34, 35, 36, 73, 78, 79, 80, 81, 86, 89, 90, 91, 104, 106, Pc. 1635, six of 87 and 88)	9469	96	5/16" Lock Washer (4 Req'd)
85021	33	Cylinder Head (Bushed)	84367	97	Oil Thrower
84993	34	Discharge Valve Cap Nut (2 Req'd)	84378	98	Large Cylinder Block Gasket (2 Req'd)
84426	35	Discharge Valve Large Spring (2 Req'd)	84379	99	Small Cylinder Block Gasket
83667	36	Discharge Valve (2 Req'd)	9469	100	5/16" Lock Washer (2 Req'd)
84410	39	Cylinder Head Gasket	84388	101	Inlet Valve Shaft Bushing
84411	40	Inlet Valve Shaft	84389	102	Bushing Set Screw
74858	41	Inlet Valve (2 Req'd)	84425	104	Discharge Valve Small Spring (2 Req'd)
77247	42	Inlet Valve Spring (2 Req'd)	84994	106	Discharge Valve Support (2 Req'd)
84413	43	Inlet Manifold	84409	107	Unloader Cover
84414	44	Inlet Manifold Gasket (2 Req'd)	108	Inlet Valve Shaft Ball Bearing	
59126	45	Ov. Fil. Hd. Mch. Screw	84412	109	Inlet Valve Shaft Washer
10764	46	1/4" Lock Washer (3 Req'd)	79069	110	5/8" S. A. E. Castle Nut
84370	47	Crank Case Cover	3942	111	Cotter
84371	48	Crank Case Cover Gasket	83035	112	Ov. Fil. Hd. Mch. Screw (2 Req'd)
3069	49	Ov. Fil. Hd. Mch. Screw (6 Req'd)	84766	113	Manifold Screen
10764	50	1/4" Lock Washer (6 Req'd)	84767	114	Air Cleaner Screen
84376	72	Cylinder Head Stud and Nut (2 Req'd)	84415	115	Air Cleaner Gasket (2 Req'd)
84651	73	Diaphragm (2 Req'd)	3069	116	Ov. Fil. Hd. Mch. Screw (4 Req'd)
84401	74	Diaphragm Follower	10764	117	1/4" Lock Washer (4 Req'd)
84402	75	Diaphragm Box Cover	84416	118	Starting Crank Jaw
51893	76	1/2" Ball	84417	119	Cotter
83674	77	Diaphragm Dust Guard	205529	120	3" Centrifugal Air Cleaner
84397	78	Unloading Valve (2 Req'd)	121	Crank Shaft Large Ball Bearing	
83681	79	Unloading Valve Spring (2 Req'd)	122	Crank Shaft Small Ball Bearing	
			84364	123	Bearing Bush Gasket
			84905	124	Flange Gasket
			1635		1/4" Pipe Plug

*NOTE A—For Repair Pistons and Rings, see page 15.

Prices will be quoted upon application

Orders should give PIECE NUMBER and NAME of part wanted

**TYPE B AIR COMPRESSORS
ASSEMBLED COMBINATIONS**



The following schedule shows the piece numbers of the various assembled combinations of Air Compressors having "Disc Type Valves." The corresponding obsolete combinations having "Mushroom Type Valves" are shown for convenience in ordering repair parts only.

Right or left hand drive is determined by facing the name plate on the front of the compressor.

The above illustration shows the various assembled combinations, with different types of strainers or air cleaners, crank shaft bearings, and crankshaft bearing blanking caps, in accordance with the schedule shown below.

The air cleaner with the straight or offset manifold and the barrel type suction strainer may be placed on either the right or left hand side. Crank shaft bearing blanking cap Pc. 80040 is used when it is necessary to cut off one end of the crank shaft for special installations.

With the exception of the 3 cu. ft. Air Compressors, Pc. Nos. 89061 and 89205, the oil gage and drainage fitting may be placed on either the front or back of the compressor.

Felt, large or small trunnion type bearings may be used on the 3 cu. ft. Air Compressor, and felt or large trunnion type bearings may be used on the 6 cu. ft. Air Compressor in place of the standard bearings.

Type	Standard Disc Valve Type		Strainer Pc. No.	Drive End Location	Oil Gage and Drainage Fitting Location	Type of Bearings	Crank Shaft	Obsolete Mushroom Valve Type	
	Assembled combination complete Pc. No.	Compressor Pc. No.						Assembled combination complete Pc. No.	Compressor Pc. No.
2B-3-C	205758	88231	205243	Right	Front	Standard	Standard	205215	75937
2B-3-C	205759	88231	205243	Left	Back	Standard	Right End Cut Off	205292	75937
2B-3-C	205740	89061	205243	Right	Back	Standard	Left End Cut Off	205300	80030
2B-3-C	205780	88231	None	Left	Back	Standard	Standard with sprocket Pc. 200835	205329	75937
2B-3-C	205760	88231	205243	Right	Front	Standard	Left End Cut Off	205356	75937
2B-3-C	205761	89204	205243	Left	Back	Right Small Trunnion Left Large Trunnion	Standard	205383	82956
2B-3-C	205762	88231	None	Left	Front	Standard	Right End Cut Off	205464	75937
2B-3-C	205763	89081	205243	Left	Back	Large Trunnion	Standard	205489	86082
2B-3-C	205764	89429	205243	Right	Back	Small Trunnion	Left End Cut Off	205637	75937
2B-3-C	205765	89429	None	Right	Back	Small Trunnion	Left End Cut Off	205659	75937
2B-3-C	205751	88231	205243	Left	Front	Standard	Standard
2B-3-CU	205770	89205	205243	Right	Back---Special Pc. 205682	Standard	Left End Cut Off	205463	85166
2B-3-CU	205743	86743	205529---Offset Manifold on Right	Right	Front	Standard	Standard	205508	85107

(Continued)

Prices will be quoted upon application
Orders should give PIECE NUMBER and NAME of part wanted

ASSEMBLED COMBINATIONS—Continued

3704-1

Type	Standard Disc Valve Type		Strainer Pc. No.	Drive End location	Oil Gage and Drainage Fitting Location	Type of Bearings	Crank Shaft	Obsolete Mushroom Valve Type	
	Assembled combination complete Pc. No.	Compressor Pc. No.						Assembled combination complete Pc. No.	Compressor Pc. No.
2B-3-CU	205766	86743	205529—Straight Manifold on Left	Right	Front	Standard	Standard	205562	85107
2B-3-CU	205767	89430	205529—Straight Manifold on Left	Right	Back	Small Trunnion	Left End Cut Off	205565	85107
2B-3-CU	205704	86743	None	Left	Back	Standard	Right End Cut Off
2B-3-CU	205768	86743	205243	Right	Front	Large Trunnion	Standard	205715	85107
2B-3-CU	205769	86743	205243	Right	Front	Standard	Standard	205728	85107
2B-3-CU	205732	86743	205243	Left	Back	Large Trunnion	Standard
2B-3-CU	205771	86743	None	Left	Back	Large Trunnion	Standard	205752	85107
2B-3-CU	205772	86743	205243	Left	Front	Standard	Standard
2B-3-CU	205774	86743	205529—Straight Manifold on Left	Left	Back	Standard	Standard
2B-3-CU	205784	86743	None	Left	Front	Standard	Right End Cut Off
2B-3-CU	205791	89430	205243	Right	Back	Small Trunnion	Left End Cut Off
2B-3-CU	205792	86743	None	Left	Back	Standard	Standard with sprocket Pc. 200835
2B-6-C	205750	86593	205245	Left	Front	Standard	Standard	205234	75955
2B-6-C	205773	89083	205245	Left	Back	Large Trunnion	Standard	205428	84787
2B-6-CU	205783	86592	205245	Left	Back	Left Felt—Right—Standard	Standard	205430	85097
2B-6-CU	205748	86592	205529—Straight Manifold on Left	Left	Front	Standard	Standard	205481	85097
2B-6-CU	205744	86592	205529—Offset Manifold on Right	Right	Front	Standard	Standard	205543	85097
2B-6-CU	205786	86592	205529—Straight Manifold on Left	Left	Front	Standard	Right End Cut Off	205545	85097
2B-6-CU	205781	86592	205245	Left	Front	Standard	Standard	205664	85097
2B-6-CU	205745	86592	205529—Offset Manifold on Right	Right	Front—Special Pc. 205706	Standard	Standard	205713	85097
2B-6-CU	205782	86592	None	Left	Front	Standard	Right End Cut Off	205729	75955
2B-6-CU	205793	86592	None	Right	Back	Standard	Left End Cut Off

PISTONS AND RINGS

The following schedules show the standard and oversize Pistons and Rings for the type 2B-3 and type 2B-6 Air Compressors.

TYPE 2B-3 AIR COMPRESSOR

Ref. No.		Piston Diameters and Piece Numbers			
		1.499"	1.509"	1.519"	1.529"
	Piston, complete (includes 20, 22 and two of 21) (2 Req'd) ..	74330	83839	83840	83841
20	Piston (2 Req'd)	74275	83583	83584	83585
21	Piston Ring (4 Req'd)	74276	83592	83594	83596
22	Piston Oil Ring (2 Req'd)	77131	83593	83595	83597

TYPE 2B-6 AIR COMPRESSOR

Ref. No.		Piston Diameters and Piece Numbers			
		1.874"	1.884"	1.894"	1.904"
	Piston, complete, (includes 20, 22 and two of 21) (2 Req'd) ..	87304	87828	87829	87830
20	Piston (2 Req'd)	87289	87290	87291	87292
21	Piston Ring (4 Req'd)	73776	83586	83588	83590
22	Piston Oil Ring (2 Req'd)	77133	83587	83589	83591

Cylinder Blocks should not be re-bored to larger than 1.529" diameter for the Type 2B-3 Air Compressors and 1.904" diameter for the Type 2B-6 Air Compressors.

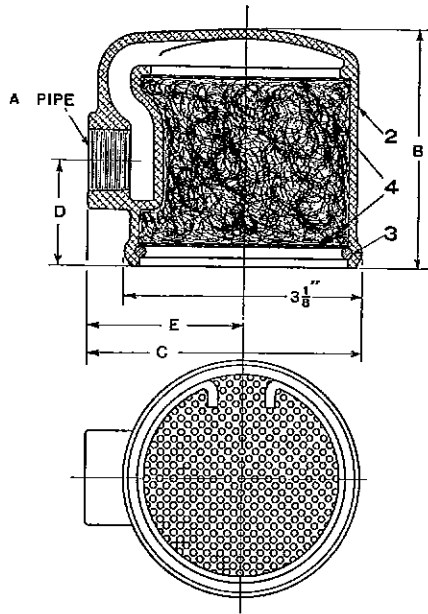
Pistons and Rings are designated by the diameter of the cylinder for which they are suitable, proper allowance for clearance and fitting being provided for.

Above sizes of Pistons and Rings, and no other sizes, are made and carried in stock. Should orders be received for other sizes, we will substitute nearest standard size unless special instructions are received to the contrary.

**Prices will be quoted upon application
Orders should give PIECE NUMBER and NAME of part wanted**

DETACHED TYPE SUCTION STRAINERS

This suction strainer is built in two body styles to take care of different installation clearances and is provided with side pipe tap for connection to the compressor air inlet.

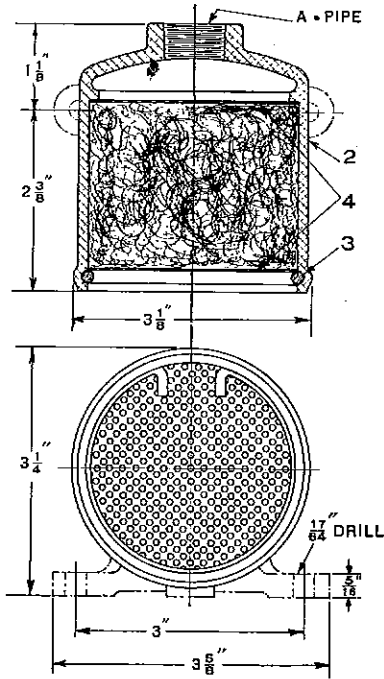


- Piece No. 205333 Suction Strainer, complete, for 3 cu. ft. air compressor— $\frac{3}{8}$ " Pipe Tap
- Piece No. 205298 Suction Strainer, complete, for 3 cu. ft. air compressor— $\frac{3}{8}$ " Pipe Tap
- Piece No. 205334 Suction Strainer, complete, for 6 cu. ft. air compressor— $\frac{1}{2}$ " Pipe Tap
- Piece No. 205299 Suction Strainer, complete, for 6 cu. ft. air compressor— $\frac{1}{2}$ " Pipe Tap

- Pc. No. Ref. No.
- 201190 2 Body with $\frac{3}{8}$ " pipe tap for Strainer Pc. 205333
 - 201115 2 Body with $\frac{3}{8}$ " pipe tap for Strainer Pc. 205298
 - 201191 2 Body with $\frac{1}{2}$ " pipe tap for Strainer Pc. 205334
 - 201116 2 Body with $\frac{1}{2}$ " pipe tap for Strainer Pc. 205299
 - 200476 3 Screen Retaining Spring
 - 200475 4 Screen (2 Req'd)
1 1/4 oz. Pulled Curled Hair

Strainer Pc. No.	DIMENSIONS					Net Weight	Compressor Size
	A	B	C	D	E		
205333	$\frac{3}{8}$	$3\frac{1}{8}$	$3\frac{5}{8}$	$1\frac{3}{8}$	$2\frac{1}{16}$	14 Oz.	3 Cu. Ft.
205298	$\frac{3}{8}$	$3\frac{1}{4}$	4	1	$2\frac{7}{16}$	12 Oz.	3 Cu. Ft.
205334	$\frac{1}{2}$	$3\frac{1}{8}$	$3\frac{5}{8}$	$1\frac{3}{8}$	$2\frac{1}{16}$	14 Oz.	6 Cu. Ft.
205299	$\frac{1}{2}$	$3\frac{1}{4}$	4	1	$2\frac{7}{16}$	12 Oz.	6 Cu. Ft.

This suction strainer is built with and without the mounting bracket and is provided with a pipe tap in the top for connection to the compressor air inlet.



- Piece No. 205137 Suction Strainer, complete, with bracket and $\frac{3}{8}$ " pipe tap for 3 cu. ft. air compressor
- Piece No. 205331 Suction Strainer, complete, with $\frac{3}{8}$ " pipe tap and without bracket for 3 cu. ft. air compressor
- Piece No. 205181 Suction Strainer, complete, with bracket and $\frac{1}{2}$ " pipe tap, for 6 cu. ft. air compressor
- Piece No. 205332 Suction Strainer, complete, with $\frac{1}{2}$ " pipe tap and without bracket, for 6 cu. ft. air compressor

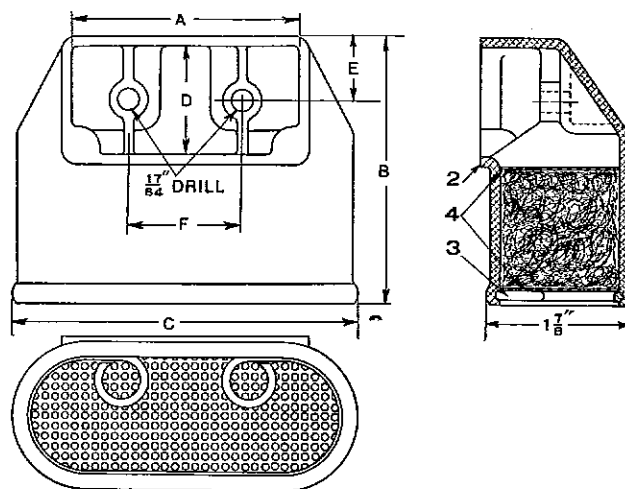
- Pc. No. Ref. No.
- 200473 2 Body with bracket and $\frac{3}{8}$ " pipe tap
 - 201184 2 Body with $\frac{3}{8}$ " pipe tap and without bracket
 - 200741 2 Body with bracket and $\frac{1}{2}$ " pipe tap
 - 201185 2 Body with $\frac{1}{2}$ " pipe tap and without bracket
 - 200476 3 Screen Retaining Spring
 - 200475 4 Screen (2 Req'd)
1 1/4 oz. Pulled Curled Hair

Net Weight 12 oz. with Bracket
Net Weight 10 oz. without Bracket

Prices will be quoted upon application

Orders should give PIECE NUMBER and NAME of part wanted

ATTACHED TYPE SUCTION STRAINERS



Strainer Pc. No.	DIMENSIONS						Net Weight	Compressor Size
	A	B	C	D	E	F		
205243	2 $\frac{7}{8}$	3 $\frac{3}{8}$	4 $\frac{3}{8}$	1 $\frac{3}{8}$	$\frac{13}{16}$	1 $\frac{7}{16}$	11 oz.	3 Cu. Ft.
205245	3 $\frac{5}{16}$	3 $\frac{9}{16}$	5 $\frac{3}{8}$	1 $\frac{1}{2}$	$\frac{23}{32}$	1 $\frac{1}{4}$	13 oz.	6 Cu. Ft.

Piece No. 205243. Suction Strainer, complete, for standard 3 cu. ft. compressor

Pc. No. Ref. No.

200951 2 Body for Strainer Pc. 205243
200817 3 Screen Retaining Spring

Pc. No. Ref. No.

200816 4 Screen (2 Req'd)
1 $\frac{1}{4}$ oz. Pulled Curled Hair

Piece No. 205245. Suction Strainer, complete, for standard 6 cu. ft. compressor

Pc. No. Ref. No.

200952 2 Body for Strainer Pc. 205245
200862 3 Screen Retaining Spring

Pc. No. Ref. No.

200861 4 Screen (2 Req'd)
1 $\frac{3}{4}$ oz. Pulled Curled Hair

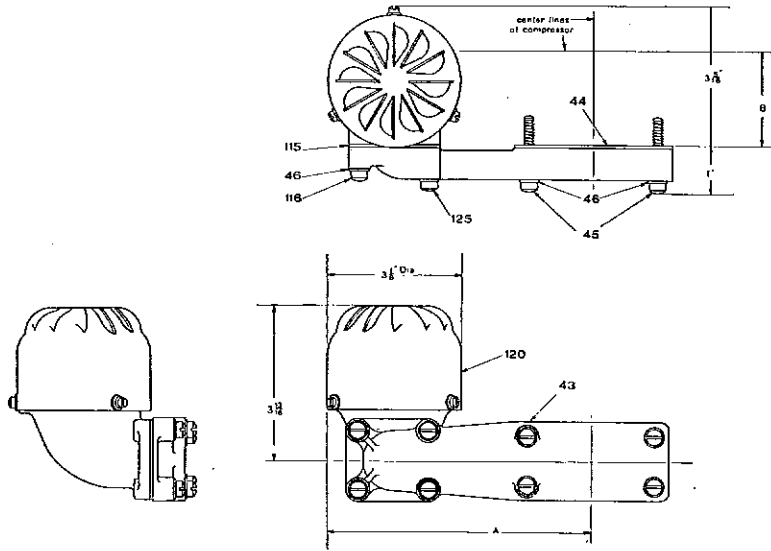
NOTE—These strainers are attached to the inlet valve chamber of the compressor by means of two $\frac{1}{4}$ "x $\frac{1}{4}$ " Cap Screws, Pc. 76377.

Prices will be quoted upon application

Orders should give PIECE NUMBER and NAME of part wanted

CENTRIFUGAL AIR CLEANERS

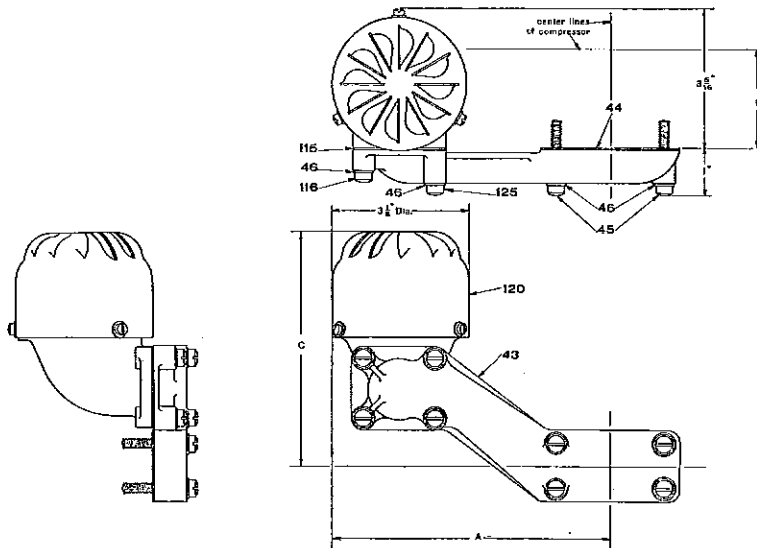
3" Centrifugal Air Cleaner with Straight Manifold



Pc. No.	Ref. No.	Pc. No.	Ref. No.
201544	43	83085	45
		10764	46
201545	43	84415	115
		2308	116
200954	44	205529	120
		3068	125

				Ov. Fil. Hd. Mch. Screw (4 Req'd)
				1/4" Lock Washer (8 Req'd)
				Air Cleaner Gasket
				Ov. Fil. Hd. Mch. Screw (2 Req'd)
				3" Centrifugal Air Cleaner, complete
				Ov. Fil. Hd. Mch. Screw (2 Req'd)

3" Centrifugal Air Cleaner with Offset Manifold



Pc. No.	Ref. No.	Pc. No.	Ref. No.
201606	43	83085	45
		10764	46
201698	43	84415	115
		2308	116
200954	44	205529	120
		3068	125

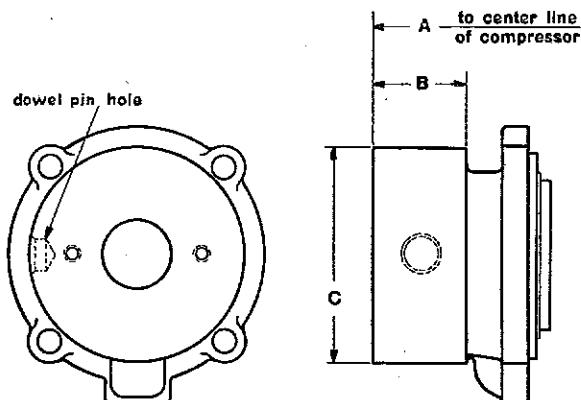
				Ov. Fil. Hd. Mch. Screw (4 Req'd)
				1/4" Lock Washer (8 Req'd)
				Air Cleaner Gasket
				Ov. Fil. Hd. Mch. Screw (2 Req'd)
				3" Centrifugal Air Cleaner, complete
				Ov. Fil. Hd. Mch. Screw (2 Req'd)

Prices will be quoted upon application
Orders should give **PIECE NUMBER** and **NAME** of part wanted

SPECIAL CRANK SHAFT BEARINGS

The various type of Crank Shaft Bearings shown below are interchangeable with the standard crank shaft bearings furnished on the 3 and 6 cu. ft. Air Compressors. For Piece Numbers of Compressors using these types of bearings, see pages 3, 5, 7 and 9.

Trunnion Type Crank Shaft Bearing



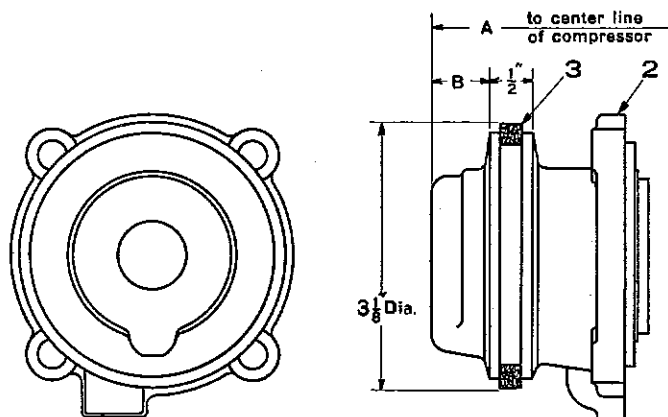
Piece No. 82954 Trunnion Type Crank Shaft Bearing, complete, with Dowel Pin Hole, for Type 2B-3 Air Compressor

Piece No. 82955 Trunnion Type Crank Shaft Bearing, complete, without Dowel Pin Hole, for Type 2B-3 Air Compressor

Piece No. 84789 Trunnion Type Crank Shaft Bearing, without Dowel Pin Hole, for Type 2B-6 Air Compressor

Pc. No.	A	B	C
82954	4 "	1 $\frac{3}{32}$ "	2.250 "
82955	4 "	1 $\frac{15}{16}$ "	3.125 "
84789	5 $\frac{1}{8}$ "	1 $\frac{15}{16}$ "	3.125 "

Packing Groove Type Crank Shaft Bearing



Piece No. 81332 Packing Groove Type Crank Shaft Bearing, complete, for Type 2B-6 Air Compressor

Piece No. 81333 Packing Groove Type Crank Shaft Bearing, complete, for Type 2B-3 Air Compressor

Pc. No.	Ref. No.	
81329	2	Bearing for Pc. 81332
81330	2	Bearing for Pc. 81333
81331	3	Felt Packing Ring

Pc. No.	A	B
81332	5 $\frac{1}{8}$ "	1 $\frac{11}{32}$ "
81333	4 "	1 $\frac{3}{16}$ "

Prices will be quoted upon application

Orders should give PIECE NUMBER and NAME of part wanted

3704-1 Correspondence order 22 8 135
 E. J. Smith
 21 8 135

Westinghouse Air Brake Company

(Automotive Brake Division)

Pittsburgh, Pa., U. S. A.

WORKS AT WILMERDING, PA.

OFFICES

ATLANTA	- - - - -	Candler Building
BOSTON	- - - - -	Monks Building
CHICAGO	- - - - -	Railway Exchange Building
CLEVELAND	- - - - -	18 1/2 East 24th Street
COLUMBUS	- - - - -	Yuster Building
DENVER	- - - - -	Denver National Building
DETROIT	- - - - -	Motors Building
HOUSTON, TEX.	- - - - -	Bank Mortgage Building
LOS ANGELES	- - - - -	Pacific Electric Building
MEXICO CITY, MEXICO	- - - - -	4a Puente de Alvarado, No. 100
NEW YORK	- - - - -	150 Broadway
PHILADELPHIA	- - - - -	2336 Fairmount Avenue
PITTSBURGH	- - - - -	Westinghouse Building
ST. LOUIS	- - - - -	Broadway and Tyler Street
ST. PAUL	- - - - -	Endicott Building
SALT LAKE CITY	- - - - -	McIntyre Building
SAN FRANCISCO	- - - - -	Matson Building
SEATTLE	- - - - -	Securities Building
SPRINGFIELD, MASS.	- - - - -	61 Saratoga Street
TOPEKA	- - - - -	Columbian Building
WASHINGTON, D. C.	- - - - -	Munsey Building

ASSOCIATED COMPANIES

AMERICAN BRAKE COMPANY	- - - - -	St. Louis, Mo.
CANADIAN WESTINGHOUSE COMPANY, LTD.	- - - - -	Hamilton, Ontario, Canada
COMPAGNIA ITALIANA WESTINGHOUSE FRENI & SEGNALI	- - - - -	Turin, Italy
COMPAGNIE DES FREINS WESTINGHOUSE	- - - - -	Sevran, France
NATIONAL BRAKE & ELECTRIC COMPANY	- - - - -	Milwaukee, Wisconsin
SAFETY CAR DEVICES COMPANY	- - - - -	St. Louis, Mo.
WESTINGHOUSE BRAKE & SAXBY SIGNAL COMPANY, LTD.	- - - - -	London, England
WESTINGHOUSE BRAKE COMPANY OF AUSTRALASIA, LTD.	- - - - -	Concord West, New South Wales, Australia
WESTINGHOUSE BREMSSEN GESELLSCHAFT, m. b. H.	- - - - -	Hanover, Germany
WESTINGHOUSE FRICTION DRAFT GEAR CO.	- - - - -	Pittsburgh, Pa.
WESTINGHOUSE PACIFIC COAST BRAKE COMPANY	- - - - -	Emeryville, Calif.
WESTINGHOUSE TRACTION BRAKE COMPANY	- - - - -	Pittsburgh, Pa.