

36
COPYRIGHT, 1921, BY THE

Westinghouse Traction Brake Company

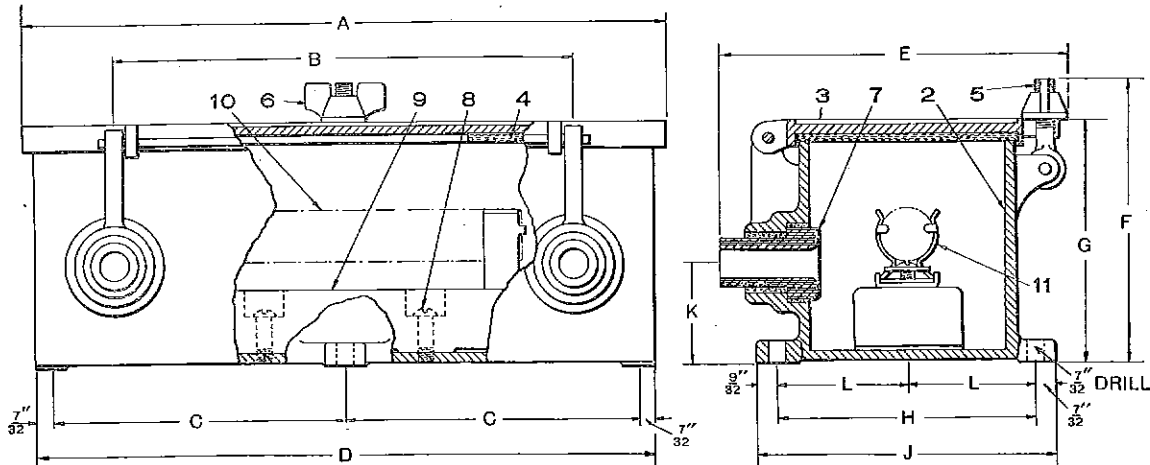
Electrical Details

Part Catalog No. T 3516-1

May, 1921

(SUPERSEDING ISSUE OF OCTOBER, 1911)

TYPE C-3 FUSE BOX, 600 V., 1-30 AMPS.



| A | B | C | D | E | F | G | H | J | K | L |
|----|-------------------|-------------------|-------------------|-------------------|-------------------|-------------------|-------------------|-------------------|-------------------|-------------------|
| 9" | 6 $\frac{7}{8}$ " | 4 $\frac{1}{8}$ " | 8 $\frac{1}{8}$ " | 4 $\frac{7}{8}$ " | 3 $\frac{1}{8}$ " | 3 $\frac{3}{8}$ " | 3 $\frac{1}{8}$ " | 4 $\frac{3}{8}$ " | 1 $\frac{1}{2}$ " | 1 $\frac{3}{8}$ " |

Net Weight, 7 $\frac{1}{2}$ lbs.

The Type C-3 Fuse Box, complete with Block, when furnished with a fuse of proper capacity, may be used in connection with Direct Current Motor Driven Air Compressors operating at 600 volts, or Single Phase Alternating Current Motor Driven Air Compressors operating at various voltages, as indicated under Fuses on page 8.

Piece No. 27058. C-3 Fuse Box with Block, complete, without Fuse

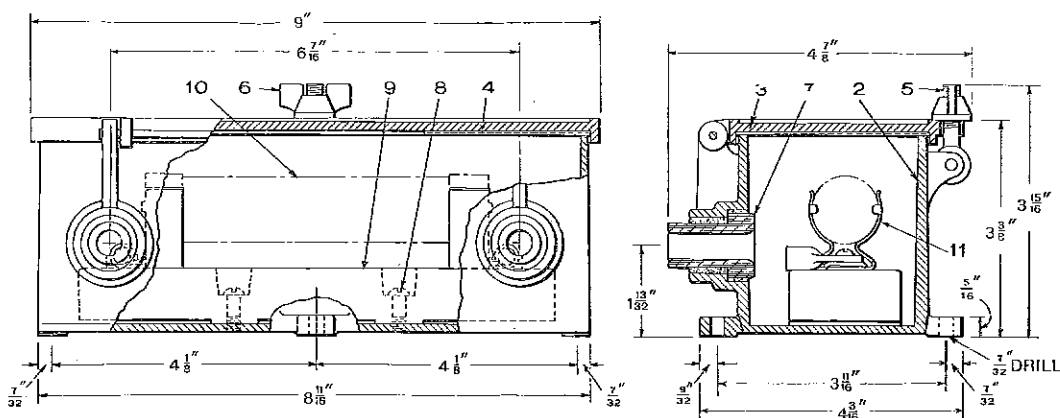
Piece No. 27862. C-3 Fuse Box, complete, without Block and Fuse

| Pc. No. | Ref. No. | | Pc. No. | Ref. No. | |
|---------|----------|----------------------------|---------|----------|------------------------------|
| 26866 | 2 | Fuse Box | S-32485 | 9 | Fuse Block, complete with |
| 27858 | 3 | Cover (includes 4) | | | Fuse Holder less Fuse |
| 26873 | 4 | Cover Gasket | | | (includes two of 11) |
| 6003 | 5 | Eye Bolt | | 10 | Fuse (not included, see page |
| 6004 | 6 | Thumb Nut | | | 8) |
| 32825 | 7 | Insulator for Leads (2 | S-32492 | 11 | Fuse Holder, complete (2 |
| | | Req'd) | | | Req'd) |
| 25470 | 8 | Fuse Block Screw (2 Req'd) | | | |

Prices will be quoted upon application.

Orders must give PIECE NUMBER (or Style Number) and NAME of part wanted.

TYPE C-4 FUSE BOX, 600 V., 35 TO 60 AMPS.



Net Weight, 9 lbs.

The Fuse Box illustrated, when furnished with a fuse of proper capacity, is suitable for use in connection with Single Phase Alternating Current Motor Driven Air Compressors, as indicated under Fuses on page 8.

Piece No. 27060. C-4 Fuse Box with Block, complete, without Fuse

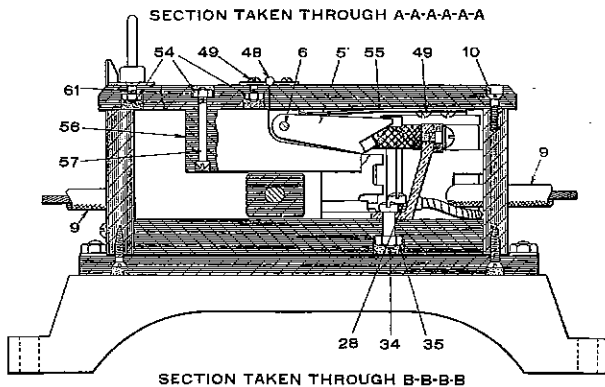
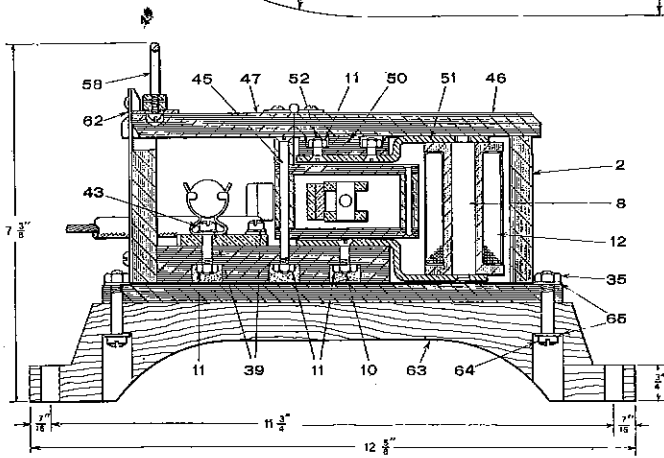
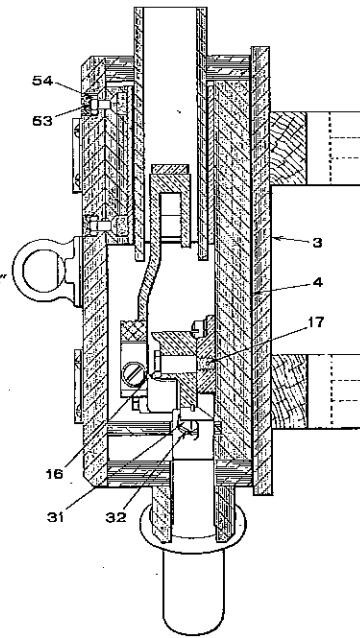
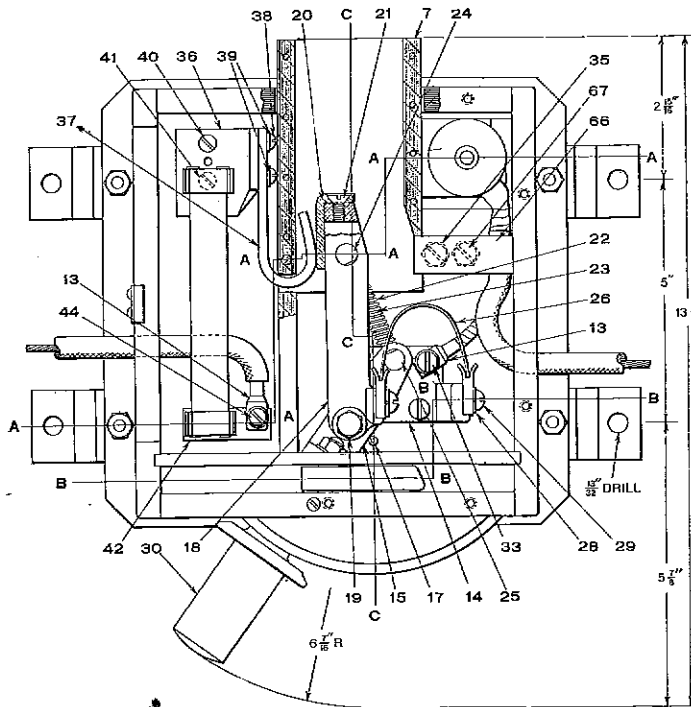
Piece No. 27863. C-4 Fuse Box, complete, without Block and Fuse

| Pc. No. | Ref. No. | | Pc. No. | Ref. No. | |
|---------|----------|-------------------------------|---------|----------|---|
| 26867 | 2 | Fuse Box | S-32486 | 9 | Fuse Block, complete with Fuse Holder, less Fuse (includes two of 11) |
| 27859 | 3 | Cover (includes 4) | | 10 | Fuse (not included, see page 8) |
| 26873 | 4 | Cover Gasket | S-32493 | 11 | Fuse Holder, complete (2 Req'd) |
| 6003 | 5 | Eye Bolt | | | |
| 6004 | 6 | Thumb Nut | | | |
| 32825 | 7 | Insulator for Leads (2 Req'd) | | | |
| 25470 | 8 | Fuse Block Screw (2 Req'd) | | | |

Prices will be quoted upon application.

Orders must give PIECE NUMBER (or Style Number) and NAME of part wanted.

COMBINED SWITCH AND FUSE BOX



Net Weight, 15 lbs.

COMBINED SWITCH AND FUSE BOX, 600-1200 V., 1½ TO 15 AMPS.

Piece No. 48189. Combined Switch and Fuse Box, complete, less Fuse

| Pc. No. | Ref. No. | | Pc. No. | Ref. No. | |
|---------|----------|--|---------|---------------------------------|--|
| 48205 | 2 | Box, complete (includes 66 and two of 35 and 67) | 48243 | | Lower Contact Base, complete (includes 36, 37; two of 38 and 39) |
| 48215 | 3 | Bottom | 48244 | 36 | Lower Contact Base |
| 48216 | 4 | Lining | 48245 | 37 | Lower Contact |
| 48217 | 5 | Interlock Latch | 7982 | 39 | Lock Washer (4 Req'd) |
| 7676 | 6 | Interlock Latch Pin | 25525 | 40 | Lower Contact Base Screw (2 Req'd) |
| 48218 | 7 | Arc Chute, complete | 24014 | 41 | Screw for securing Clip to Lower Contact Base |
| 48223 | 8 | Lower Pole Piece with Core | 48246 | 42 | Base for Fuse Clip |
| 50977 | 9 | Blow-out Coil and Fuse Leads (2 Req'd) | 20902 | 43 | Screw for securing Fuse Clip |
| 24119 | 10 | .190" Flat Head Screw (8 Req'd) | 12648 | 44 | Screw for securing Lead |
| 17154 | 11 | .190" Hex. Nut (9 Req'd) | 29080 | 45 | Arc Shute Screw |
| 48226 | 12 | Blow-out Coil, complete (includes 9 and 13) | 48249 | 46 | Cover |
| 48263 | 13 | Terminal for Lead (2 Req'd) | 48248 | 47 | Lid for Cover |
| 48229 | 14 | Switch Lever Base | 48250 | 48 | Hinge (2 Req'd) |
| 48230 | 15 | Handle Lever | 17037 | 49 | Hinge Screw (10 Req'd) |
| 48231 | 16 | Handle Lever Screw | 48251 | 50 | Filler Block |
| 12688 | 17 | 1-1/8"x1-1/4" Cotter (2 Req'd) | 48252 | 51 | Upper Pole Piece |
| 48233 | | Switch Lever with Contact (includes 18, 20 and 21) | 23843 | 52 | Upper Pole Piece Screw (2 Req'd) |
| 48234 | 18 | Switch Lever | 33670 | 53 | Screw for securing Filler Block (2 Req'd) |
| 48232 | 19 | Switch Lever Screw | 27393 | 54 | .164" Hex. Nut (16 Req'd) |
| 48235 | 20 | Upper Contact | 48253 | 55 | Spring for Interlock |
| 4351 | 21 | Contact Screw | 48254 | 56 | Interlock Release |
| 48239 | 22 | Lever Spring | 25488 | 57 | Interlock Release Screw (2 Req'd) |
| 48238 | 23 | Spring Guide | 48255 | 58 | Door Latch, complete |
| 48236 | 24 | Spring Stop without Hole | 20003 | 61 | Screw for Base (2 Req'd) |
| 48237 | 25 | Spring Stop with Hole | 48258 | 62 | Latch Spring |
| 48261 | 26 | Shunt, complete | 49108 | 63 | Mounting Bracket (2 Req'd) |
| 10764 | 28 | 1/4" Lock Washer (3 Req'd) | 31084 | 64 | Mounting Bracket Screw (4 Req'd) |
| 25504 | 29 | Shunt Screw (2 Req'd) | 8111 | 65 | Washer for Mounting Bracket Screw (8 Req'd) |
| 48810 | 30 | Handle, complete | 48212 | 66 | Lever Stop |
| 3244 | 31 | Handle Nut | 25465 | 67 | Lever Stop Screw (2 Req'd) |
| 9469 | 32 | 5/16" Lock Washer | S-42518 | 68 | Fuse Clip (2 Req'd) |
| 14844 | 33 | Switch Lever Base Screw, 7/8" long | 69 | Fuse (not included, see page 5) | |
| 23020 | 34 | Switch Lever Base Screw, 3/4" long (2 Req'd) | | | |
| 24289 | 35 | .242" Hex. Nut (9 Req'd) | | | |

NOTE—If Combined Switch and Fuse Box (600-1200 volts, 16 to 30 amperes) is desired, specify complete Piece No. 48193, and make the following substitutions in the above Piece List:

| Pc. No. | Ref. No. | |
|---------|----------|---|
| 48264 | 12 | Blow-out Coil, complete (includes 9 and 13) |
| S-42342 | 68 | Fuse Clip (2 Req'd) |

Prices will be quoted upon application.

Orders must give PIECE NUMBER (or Style Number) and NAME of part wanted.

FUSES FOR MOTOR DRIVEN AIR COMPRESSORS

The Fuses listed are National Electric Code Standard and are recommended for use with Fuse Boxes in connection with Motor Driven Air Compressors, as indicated.

ENCLOSED CARTRIDGE FUSES FOR W. T. B. CO. COMPRESSORS

| Amps. | Volts | Style No. | Compressor Displacement | Fuse Box |
|-------|-------|-----------|--------------------------------|----------|
| 5 | 600 | WE-37189 | 10 Cubic Feet | C-3 |
| 6 | 600 | WE-37190 | 16 Cubic Feet | C-3 |
| 10 | 600 | WE-37192 | 25 Cubic Feet | C-3 |
| 12 | 600 | WE-37193 | 32 Cubic Feet | C-3 |
| 15 | 600 | WE-37194 | 38 Cubic Feet | C-3 |
| 20 | 600 | WE-37195 | 50 Cubic Feet | C-3 |
| 25 | 600 | WE-37196 | 60 Cubic Feet | C-3 |
| 30 | 600 | WE-37197 | 76 Cubic Feet | C-3 |
| 40 | 600 | WE-37199 | 100 Cubic Feet | C-4 |
| 1½ | 2500 | WE-32304 | } Combined Switch and Fuse Box | |
| 2 | 2500 | WE-32305 | | |
| 3 | 2500 | WE-32306 | | |
| 4 | 2500 | WE-32307 | | |
| 6 | 2500 | WE-32308 | | |
| 10 | 2500 | WE-32309 | | |
| 15 | 2500 | WE-32310 | | |
| 20 | 2500 | WE-32311 | | |
| 25 | 2500 | WE-32312 | | |
| 30 | 2500 | WE-32313 | | |

FUSES FOR SPECIAL XD-EG TYPE COMPRESSORS

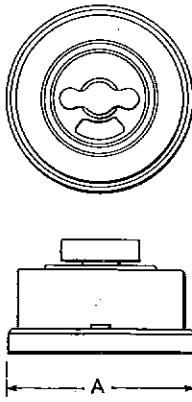
| COMPRESSOR | | | FUSE BOX | FUSE | | |
|-------------|----------|--|----------|-----------|-------|-------|
| Designation | Volts | Normal Current Amperes Required at 100 lbs. Air Pressure | Type | Style No. | Size | |
| | | | | | Volts | Amps. |
| XD-1-EG | 100 A.C. | 40 | C-2 | WE-37169 | 250 | 50 |
| XD-2-EG | 100 A.C. | 70 | * | * | 250 | 85 |
| XD-2-EG | 295 A.C. | 21 | C-3 | WE-37197 | 600 | 30 |
| | 500 D.C. | 12.5 | C-3 | WE-37195 | 600 | 20 |
| XD-3-EG | 100 A.C. | 100 | * | * | 250 | 125 |
| XD-3-EG | 295 A.C. | 30 | C-4 | WE-37199 | 600 | 40 |
| | 440 D.C. | 17.5 | C-3 | WE-37196 | 600 | 25 |
| XD-4-EG | 100 A.C. | 135 | * | * | 250 | 175 |

*NOTE—Fuse Boxes and Fuses suitable for these conditions will be quoted on request.

Prices will be quoted upon application.

Orders should specify STYLE NUMBER, CAPACITY and VOLTAGE of Fuse required.

SNAP SWITCHES



DIMENSIONS AND NET WEIGHTS

| STYLE No. | DIAMETER OF BASE A | NET WEIGHTS |
|--------------|--------------------|-------------|
| H and H-350½ | 2½ ½" | 5/8 lbs. |
| H and H-2208 | 2 5/8 " | 5/8 lbs. |
| H and H-2167 | 3 3/8 " | 1 lb. |
| H and H-541½ | 3½ " | 1 lb. |

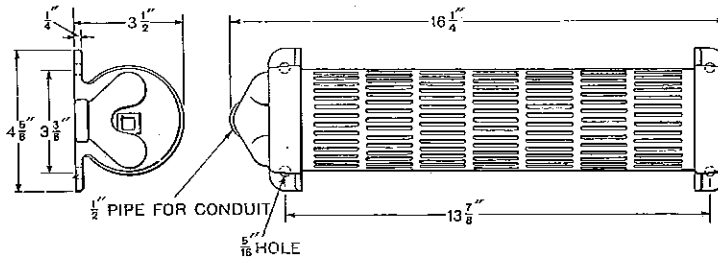
SINGLE POLE

- 5 Amp. 600 Volt Snap Switch, Style No. H & H—350½, complete
- 10 Amp. 600 Volt Snap Switch, Style No. H & H—2167, complete
- 20 Amp. 600 Volt Snap Switch, Style No. H & H—541½, complete

DOUBLE POLE

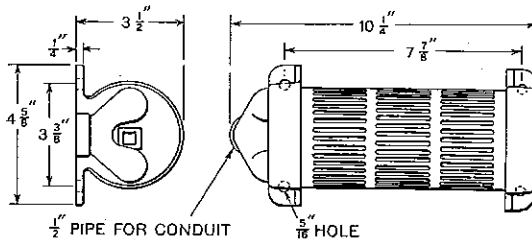
- 10 Amp. 250 Volt Snap Switch with Porcelain Cover, Style No. H & H—2208, complete

RESISTANCE UNITS



2566 Ohms Resistance Unit with Conduit Connection, C. C. H. Co.'s 278-AEA, complete. For use with Governor Synchronizing System.

Net Weight, 7 lbs.



1980 Ohms Resistance Unit with Conduit Connection, complete (Same as C. C. H. Co.'s 278-AEA, except has 8" spindle). For use with Electro-Pneumatic Signal Equipment.

Net Weight, 5 lbs.

Prices will be quoted upon application.

Orders must give PIECE NUMBER (or Style Number) and NAME of part wanted.

SWITCHES, FUSES AND FUSE BLOCKS

USED WITH NATIONAL TYPE MOTOR DRIVEN COMPRESSORS

| COMPRESSOR TYPE | DIRECT CURRENT | | | | | | ALTERNATING CURRENT | | | | | | | | | | | | | | | | | | | |
|--------------------|----------------|------------|--------|------------|--------|------------|---------------------|------------|--------|------------|--------|------------|---------|------------|--------|------------|--------|------------|--------|------------|--------|------------|--------|----|---|----|
| | 110-V | | 220-V | | 550-V | | Single Phase | | | 2-Phase | | | 3-Phase | | | 550-V | | | | | | | | | | |
| | † | Fuse Amps. | † | Fuse Amps. | † | Fuse Amps. | † | Fuse Amps. | † | Fuse Amps. | † | Fuse Amps. | † | Fuse Amps. | † | Fuse Amps. | † | Fuse Amps. | † | Fuse Amps. | † | Fuse Amps. | | | | |
| | Switch | | Switch | | Switch | | Switch | | Switch | | Switch | | Switch | | Switch | | Switch | | Switch | | Switch | | Switch | | | |
| H-1 | A | 20 | A | 10 | U | 5 | B | 35 | A | 15 | N | 8 | J | 20 | J | 10 | S | 5 | F | 20 | F | 12 | Q | 6 | X | 6 |
| H-2 * | A | 25 | A | 12 | U | 5 | B | 40 | A | 25 | N | 10 | J | 25 | J | 12 | S | 6 | F | 25 | F | 15 | Q | 6 | X | 6 |
| H-3 | B | 35 | A | 20 | U | 8 | C | 70 | B | 35 | N | 15 | K | 35 | J | 20 | S | 10 | G | 40 | F | 20 | Q | 10 | X | 10 |
| H-4 | B | 50 | A | 25 | U | 10 | C | 80 | B | 40 | N | 20 | K | 50 | J | 20 | S | 10 | G | 50 | F | 20 | Q | 15 | X | 12 |
| H-5 | C | 70 | B | 35 | U | 15 | C | 90 | B | 45 | N | 25 | L | 65 | K | 35 | S | 15 | H | 80 | G | 40 | Q | 15 | X | 15 |
| H-6 | C | 90 | B | 35 | U | 20 | D | 150 | C | 75 | O | 40 | L | 90 | K | 45 | S | 25 | I | 110 | G | 50 | Q | 25 | X | 20 |
| L-11 | A | 20 | A | 10 | U | 4 | B | 35 | A | 15 | N | 8 | J | 20 | J | 10 | S | 5 | F | 20 | F | 10 | Q | 6 | X | 6 |
| L-12, QL-12 | B | 35 | A | 20 | U | 6 | C | 50 | A | 25 | N | 12 | K | 35 | J | 15 | S | 8 | G | 35 | F | 15 | Q | 6 | X | 6 |
| L-13 | B | 40 | A | 25 | U | 10 | C | 65 | B | 35 | N | 15 | K | 40 | J | 20 | S | 10 | G | 40 | F | 20 | Q | 10 | X | 10 |
| L-14, QL-14 | C | 65 | B | 35 | U | 15 | C | 90 | B | 45 | N | 25 | L | 70 | K | 35 | S | 15 | H | 80 | G | 40 | Q | 20 | X | 15 |
| E-1, QE-1 | C | 90 | B | 50 | U | 20 | D | 125 | C | 65 | O | 35 | L | 90 | K | 45 | S | 20 | I | 110 | G | 50 | Q | 25 | X | 20 |
| E-2 | D | 110 | B | 50 | U | 20 | D | 150 | C | 75 | O | 40 | | | K | 50 | S | 25 | | | G | 50 | Q | 25 | X | 20 |
| E-3, QE-3 | D | 125 | C | 65 | U | 25 | E | 225 | D | 110 | O | 50 | | | K | 55 | S | 25 | | | H | 65 | R | 35 | X | 25 |
| E-4, QE-4 | E | 225 | D | 110 | V | 45 | E | 250 | D | 150 | P | 70 | | | M | 110 | T | 50 | | | I | 110 | R | 55 | Y | 45 |

FUSES AND FUSE BLOCKS

| AMPS. | STYLE NUMBERS | | | |
|-------|-----------------|-------------|------------------------|-------------|
| | UP TO 250 VOLTS | | 250 VOLTS TO 600 VOLTS | |
| | FUSE | FUSE BLOCKS | FUSE | FUSE BLOCKS |
| 4 | 37156 | 32481 | 37188 | 32485 |
| 5 | 37157 | 32481 | 37189 | 32485 |
| 6 | 37158 | 32481 | 37190 | 32485 |
| 8 | 37159 | 32481 | 37191 | 32485 |
| 10 | 37160 | 32481 | 37192 | 32485 |
| 12 | 37161 | 32481 | 37193 | 32485 |
| 15 | 37162 | 32481 | 37194 | 32485 |
| 20 | 37163 | 32481 | 37195 | 32485 |
| 25 | 37164 | 32481 | 37196 | 32485 |
| 30 | 37165 | 32481 | 37197 | 32485 |
| 35 | 37166 | 32482 | 37198 | 32486 |
| 40 | 37167 | 32482 | 37199 | 32486 |
| 45 | 37168 | 32482 | 37200 | 32486 |
| 50 | 37169 | 32482 | 37201 | 32486 |
| 55 | 184110 | 32482 | 184125 | 32486 |
| 65 | 184111 | 124397 | 184126 | 124393 |
| 70 | 184112 | 124397 | 184127 | 124393 |
| 75 | 37171 | 124397 | | |
| 80 | 184113 | 124397 | | |
| 90 | 184114 | 124390 | | |
| 110 | 184116 | 124390 | | |
| 125 | 37174 | 124390 | | |
| 150 | 37175 | 124390 | | |
| 225 | 37178 | 124391 | | |
| 250 | 37179 | 124391 | | |

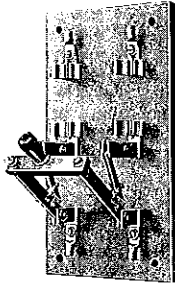
†NOTE A—Style numbers of Switches shown on page 11.

*NOTE B—The H-2 Compressor for 440 or 650 Volts D. C. requires a 6-ampere or a 4-ampere Fuse respectively, and the "U" Switch.

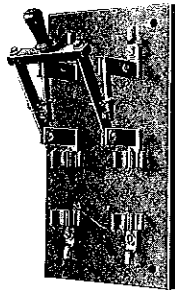
Prices will be quoted upon application.

Orders must give PIECE NUMBER (or Style Number) and NAME of part wanted.

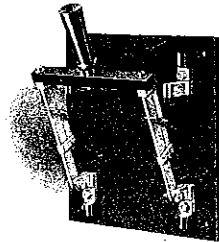
SWITCHES FOR NATIONAL TYPE MOTOR DRIVEN COMPRESSORS



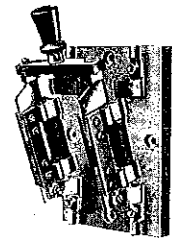
Style No. 255373



Style No. 255369



Style No. 255289



Style No. 235

| See Page 10 | DESCRIPTION | | | STYLE NUMBERS | | | | | | |
|-------------------|-------------|---------|-------|----------------------------|--------------|--------------|-------------------------|-----------------|--------------|--------------------------|
| | | | | WITHOUT QUICK BRAKE BLADES | | | WITH QUICK BRAKE BLADES | | | |
| | Volts | Amps. | Poles | WITH FUSE CLIPS | | | Without Fuse Clips | WITH FUSE CLIPS | | Without Fuse Clips |
| | | | | Handle End | Hinge End | On Blades | | Handle End | Hinge End | |
| A | 250 | 1-30 | 2 | 228017 | 227981 | 233 | 227886 | | | *257192 |
| B | 250 | 31-60 | 2 | 228018 | 227982 | 235 | 227887 | 255373 | 255369 | 255289 |
| C | 250 | 61-100 | 2 | 228019 | 227983 | 237 | 227888 | 255385 | 255381 | 255297 |
| D | 250 | 101-200 | 2 | 228020 | 227984 | 239 | 227889 | 255397 | 255393 | 255305 |
| E | 250 | 201-400 | 2 | 228021 | 227985 | 241 | 227891 | 255409 | 255405 | 255313 |
| F | 250 | 1-30 | 3 | 228026 | 227990 | 333 | 227898 | | | *257193 |
| G | 250 | 31-60 | 3 | 228027 | 227991 | 335 | 227900 | 255374 | 255370 | 255290 |
| H | 250 | 61-100 | 3 | 228028 | 227992 | 337 | 227901 | 255386 | 255382 | 255298 |
| I | 250 | 101-200 | 3 | 228029 | 227993 | 339 | 227902 | 255398 | 255394 | 255306 |
| J | 250 | 1-30 | 4 | 228035 | 227999 | 433 | 227911 | | | *257194 |
| K | 250 | 31-60 | 4 | 228036 | 228000 | 435 | 227913 | 255375 | 255371 | 255291 |
| L | 250 | 61-100 | 4 | 228037 | 228001 | 437 | 227914 | 255387 | 255383 | 255299 |
| M | 250 | 101-200 | 4 | 228038 | 228002 | 439 | 227915 | 255399 | 255395 | 255307 |
| N | 500 | 1-30 | 2 | 255255 | 255253 | 253 | 257200 | 255185 | 255181 | 257192 |
| O | 500 | 31-60 | 2 | 255261 | 255259 | 255 | 227887 | 255197 | 255193 | 255289 |
| P | 500 | 61-100 | 2 | 255267 | 255265 | 257 | 227888 | 255209 | 255205 | 255297 |
| Q | 500 | 1-30 | 3 | 228098 | 228080 | 353 | 227889 | 255186 | 255182 | 257193 |
| R | 500 | 31-60 | 3 | 228099 | 228081 | 355 | 227900 | 255198 | 255194 | 255290 |
| S | 500 | 1-30 | 4 | 228107 | 228089 | 453 | 227912 | 255187 | 255183 | 257194 |
| T | 500 | 31-60 | 4 | 228100 | 228090 | 455 | 227913 | 255199 | 255195 | 255291 |
| U | 600 | 1-30 | 2 | 228265 | 228229 | 273 | 228151 | 228259 | 228223 | 228144 |
| V | 600 | 31-60 | 2 | 228266 | 228230 | 275 | 228152 | 228260 | 228224 | 228145 |
| W | 600 | 61-100 | 2 | 228267 | 228231 | 277 | 228153 | 228261 | 228225 | 228146 |
| X | 600 | 1-30 | 3 | 228274 | 228238 | 373 | 228161 | 228268 | 228232 | 228154 |
| Y | 600 | 31-60 | 3 | 228275 | 228239 | 375 | 228162 | 228269 | 228233 | 228155 |

NOTE A—All 250 and 600 Volt Switches may be used for either Direct or Alternating current except those marked (). 500 Volt Switches are for Alternating current only.

NOTE B—All Switches are of Westinghouse Electric and Manufacturing Company make except those marked (), which are manufactured by the Barkelew Manufacturing Company.

Prices will be quoted upon application.

Orders must give PIECE NUMBER (or Style Number) and NAME of part wanted.

Westinghouse Traction Brake Company

Pittsburgh, Pa., U. S. A.

WORKS AT WILMERDING, PA., AND MILWAUKEE, WIS.

OFFICES:

| | | |
|------------------------------------|-----------|--------------------------------|
| ATLANTA | - - - - - | Candler Building |
| BOSTON | - - - - - | Exchange Building |
| CHICAGO | - - - - - | Railway Exchange Building |
| COLUMBUS | - - - - - | - 50 South Third Street |
| DENVER | - - - - - | Gas and Electric Building |
| HOUSTON, TEX. | - - - - - | - 4802 Main Street |
| LOS ANGELES | - - - - - | Pacific Electric Building |
| MEXICO CITY, MEXICO | - - - - - | 4a Puente de Alvarado, No. 100 |
| NEW YORK | - - - - - | City Investing Building |
| PITTSBURGH | - - - - - | - 200 Westinghouse Building |
| ST. LOUIS | - - - - - | Boatmen's Bank Building |
| ST. PAUL | - - - - - | - Endicott Building |
| SALT LAKE CITY | - - - - - | - McIntyre Building |
| SAN FRANCISCO | - - - - - | Southern Pacific Building |
| SEATTLE | - - - - - | - Securities Building |
| TOPEKA | - - - - - | - Columbian Building |
| WASHINGTON, D. C. | - - - - - | - Munsey Building |
| EXPORT DEPARTMENT, PITTSBURGH, PA. | - - - - - | 200 Westinghouse Building |

Cable Address "Wabcontrol Pittsburgh"

THE MUNICIPAL TRAMWAYS TRUST, ADELAIDE
 Received Correspondence office 4/2/36
 accompanying letter from
Westinghouse Brake Co.
 No. 142350 Dated 29/1/36



ASSOCIATED COMPANIES:

- | | |
|--|---|
| WESTINGHOUSE AIR BRAKE COMPANY, Pittsburgh, Pa. | CANADIAN WESTINGHOUSE COMPANY, LTD., Hamilton, Ontario, Canada. |
| THE AMERICAN BRAKE COMPANY, St. Louis, Mo. | SOCIÉTÉ ANONYME WESTINGHOUSE, Petrograd, Russia. |
| THE WESTINGHOUSE BRAKE & SAXBY SIGNAL COMPANY, LTD., London, England. | COMPAGNIE DES FREINS WESTINGHOUSE, Sevran, France. |
| WESTINGHOUSE PACIFIC COAST BRAKE COMPANY, Emeryville, Calif. | COMPAGNIA ITALIANA WESTINGHOUSE DEI FRENI, Turin, Italy. |
| WESTINGHOUSE BRAKE COMPANY OF AUSTRALASIA, LTD., Concord West, New South Wales, Australia. | WESTINGHOUSE BREMSSEN GESELLSCHAFT, m.b.H., Hanover, Germany. |